



# Q-8

## DualSource Strobe / Flood / Pixel / Blinder



### Description

The Q-8 combines the compact size and low power consumption of the Q-7, the advanced industrial design of the Q-10, and the powerful strobe-blinder of the G-7 BeaSt in 2 separated arrays. This high color quality DualSource luminaire features RGBW mixing, pixel-mapping control, 110° and 75° spread angles, and all the benefits of magnetic easy-fit filter frames. It is a waterproof key or fill light for on location filming, a strobe effect for touring, and a direct view fixture in a lightweight and robust design: the Q-8 the definitive mid-size flood/blinder.

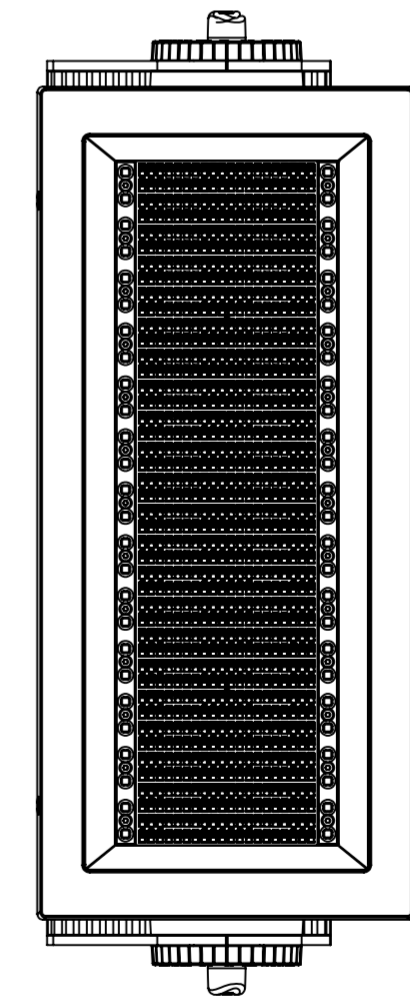
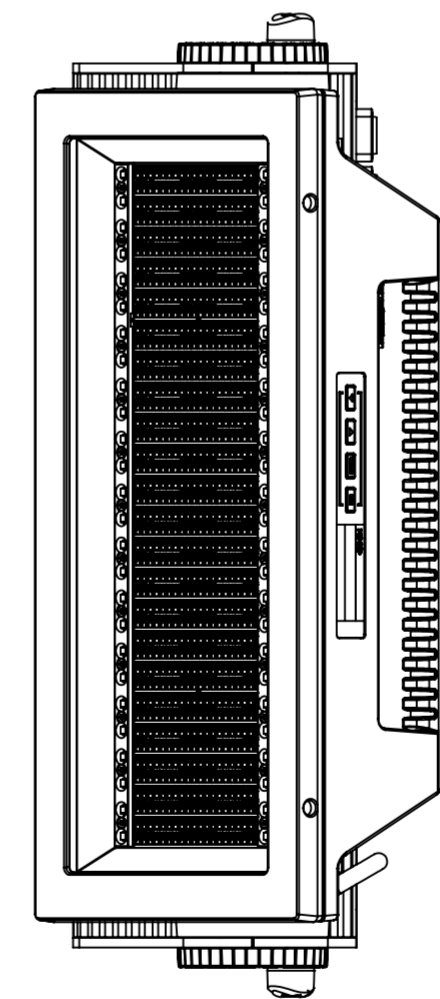
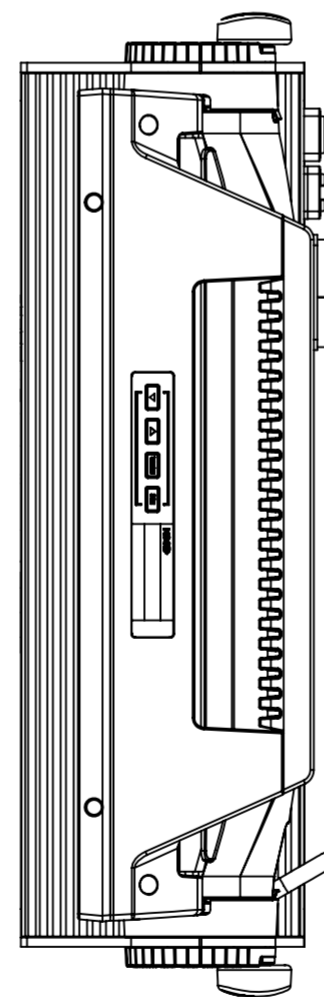
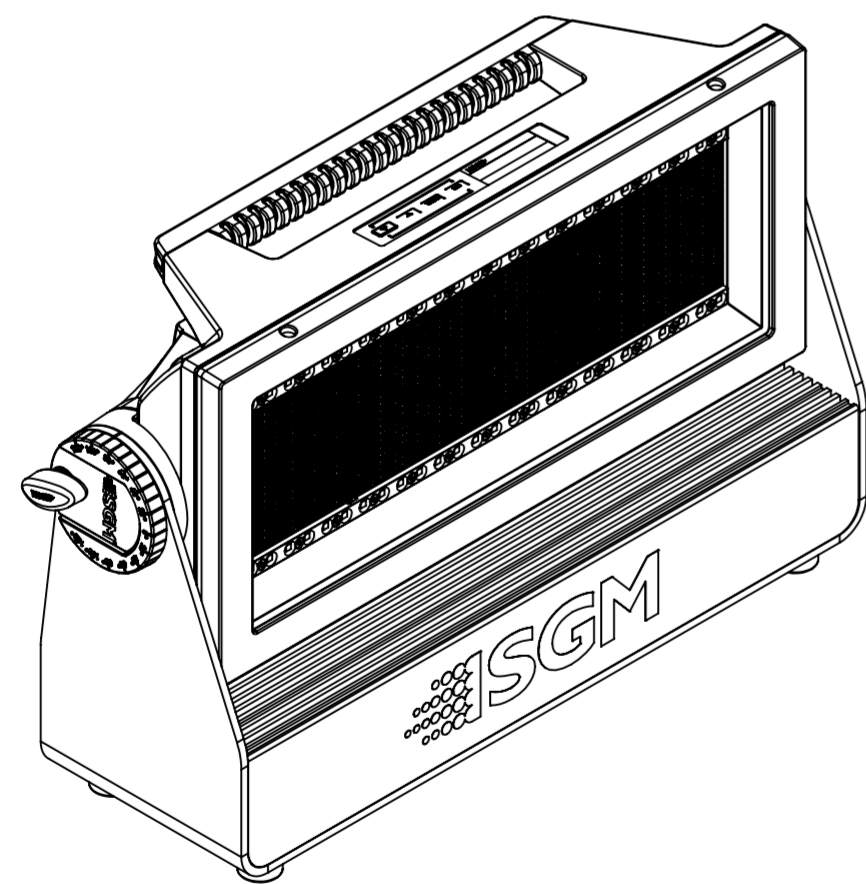
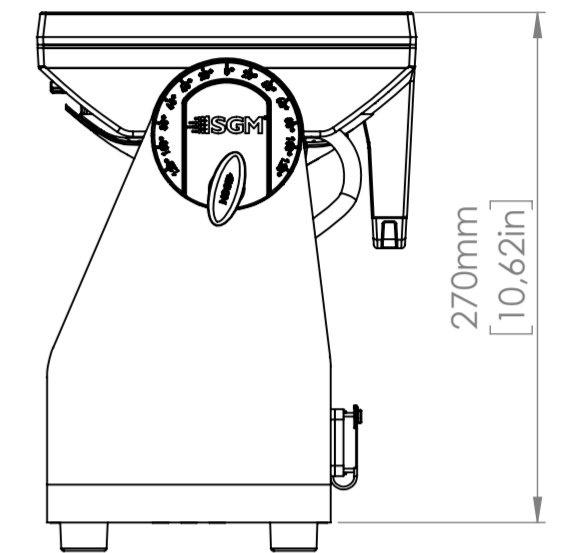
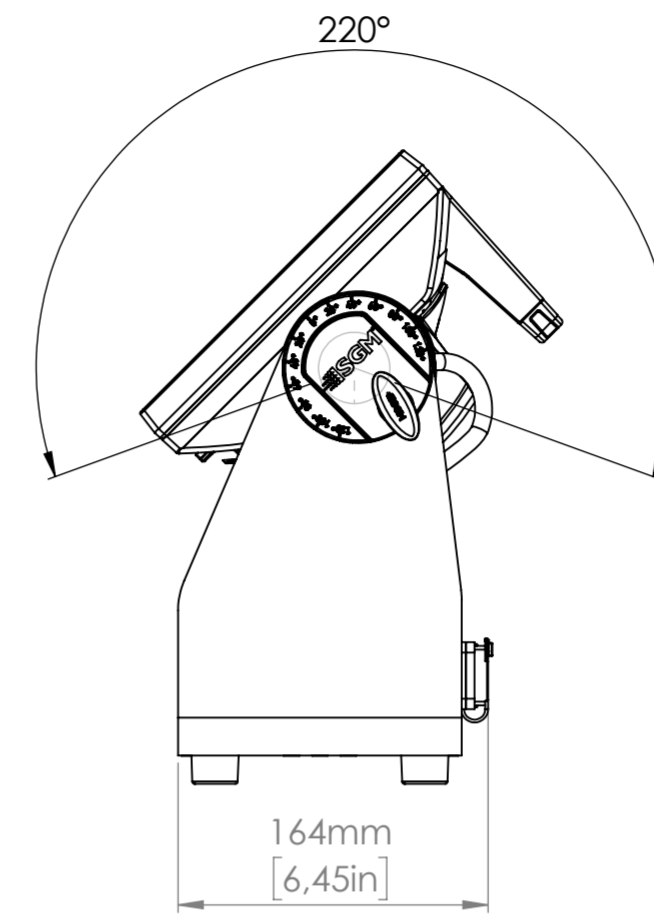
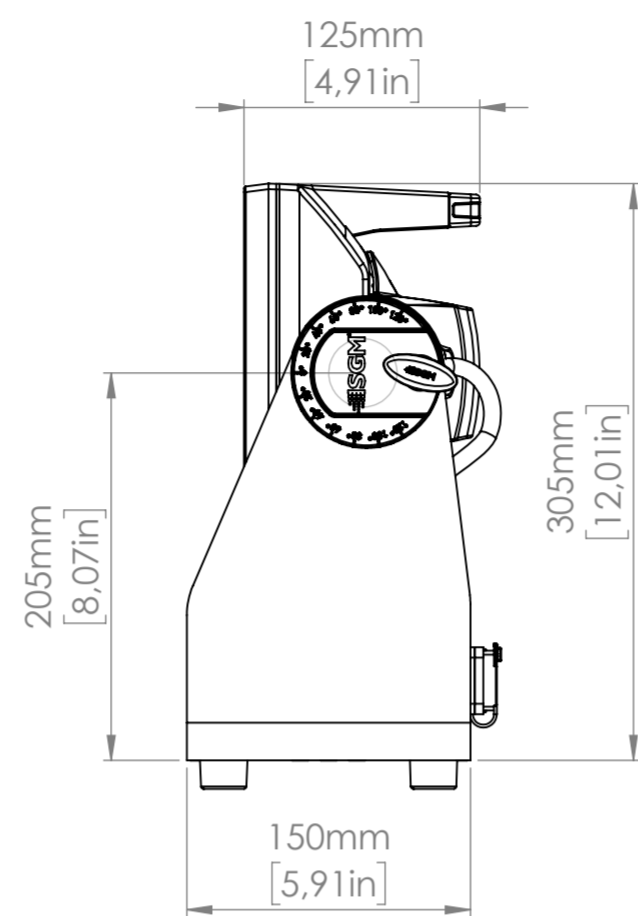
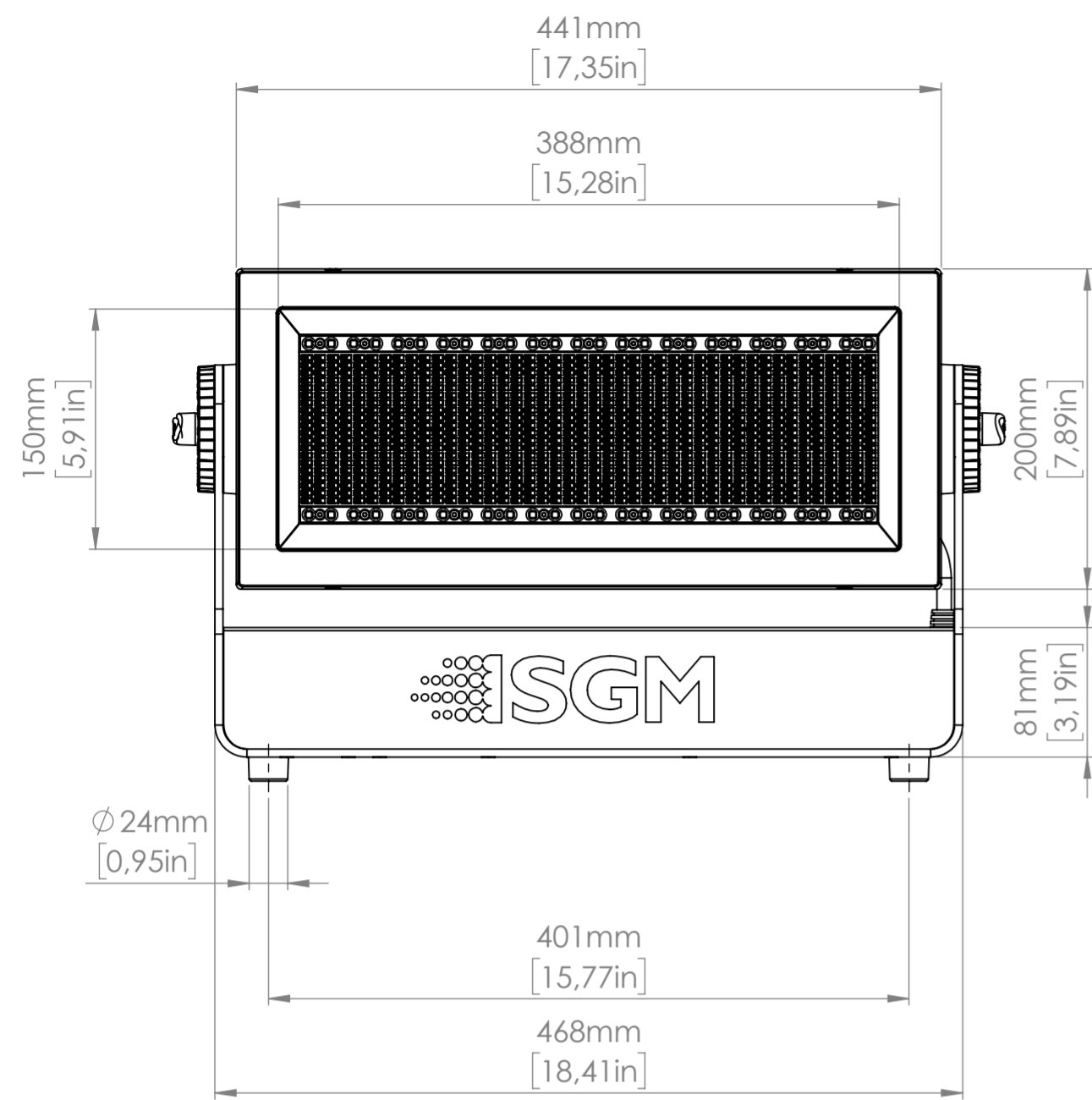
### Features and benefits

- ✓ IP66-rated 110° / 75° DualSource LED luminaire with >53,000 lumens
- ✓ High CRI and high TLCI (above 90) with RGBW mixing
- ✓ CTC linear control from 2,000K to 10,000K
- ✓ User friendly display, wireless control, and integrated handle
- ✓ RGBW mixing and 2 linear White LED blinders with 8 individually controllable segments
- ✓ High-quality dimming performance with color filter emulation / SGM Versapath ready
- ✓ Magnetic easy-fit holographic filter frames

### Certifications & classifications

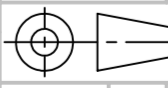


REVISIONS				
REV.	DESCRIPTION	ECO	DATE	CHANGED BY



**Tolerances according to ISO 2768-1: M**

Nominal size	Permissible deviations
0.5	±0.1
up to 3	
over 3	
up to 6	±0.2
over 6	
up to 30	
over 30	±0.3
up to 120	
over 120	
up to 400	±0.5
over 400	
up to 1000	
over 1000	±1.2
up to 2000	

DEBUR AND BREAK SHARP EDGES		DO NOT SCALE DRAWING	
		All Dimensions are in mm	
NAME	DATE	TITLE:	
Created By	6. marts 2018 13:27:36	Q-8 Flood Strobe, Std, BL	
Last saved By	bar 18. marts 2021 16:21:34		
FINISH:		DWG NO.	
MATERIAL:		80031750-	
Material <not specified>		A_Service	
WEIGHT: 13369.95		SCALE:1:5	

**ISGM** PAPER SIZE: A2

TITLE: Q-8 Flood Strobe, Std, BL

DWG NO. 80031750-A\_Service

SCALE:1:5

# Specification

<b>Optical Data</b>	LED expected lifetime	20,000 hours (Strobe blinders) 50,000 hours (RGBW panel)
	Lightsource	880 x RGB LEDs, 880 x W LEDs (5,700K), 52 x W LEDs (7,000K)
	Native lens options	110°
	Optional filters	Extra medium angle soft diffusion, Q, external Extra wide angle soft diffusion, Q, external Elliptical horizontal effect, Q, external Elliptical vertical effect, Q, external
<b>Photometric</b>	Average CQS (CTC)	92
	Average CRI (CTC)	90
	Average RF / TM-30-15 (CTC)	89
	Average TLCI (CTC)	90
	Color temperature	7000K (Strobe blinders) 5700K (RGBW panel, calibrated)
	Color temperature range	2000K - 10000K
	Efficacy	112 lm/W
	Light output all LEDs on	53849 lm
	Light output blue	1644 lm
	Light output green	8660 lm
	Light output red	4162 lm
	Lumen per kilogram	3989 lm / Kg
	Lux @ 10m	346 lux
	Lux @ 5m	1386 lux
	Max. CRI @ 5600K	96
	Max. TLCI @ 5600K	95
	Maximum beam angle	107 °
	Native beam angle(s)	107° (panel with 110° lens) 75° (Strobe blinders)
	Native field angle(s)	140° (panel with 110° lens) 119° (strobe blinders)
<b>Physical</b>	Color options	Black - RAL 9004 Custom color - Any RAL White - RAL 9010
	Effective Projected Area	2.15 Square ft
	IK rating	IK06
	IP class	IP66
	Lens material	Tempered glass front
	Material	Aluminium

		PC/ASA Rubber Steel
	Net dimensions L x H x W	520 x 320 x 166 mm
	Net dimensions L x H x W (inches)	20.5 x 12.6 x 6.5 inches
	Net weight	13.5 kg (29.8 lbs)
<b>Features</b>	Addressable pixels	4 (Panel) + 4 (Strobe Blinders)
	Color calibration	SGM proprietary, full color calibration
	Dehumidifier	Head
	Dimming	12 DMX-controllable curves (smooth fade in / fast response / low-end extended range)
	Emulation mode / effect	Tungsten response emulation Color Filter Emulation
	Filters	Magnetic easy-fit spread angle filter frames
	LED panel	8 individually controllable segments
	Other	Studio DMX mode(s) Versapath color engine Independent control of Panel and Strobe Blinders LED frequency control over DMX + High Speed mode (up to 2000 fps)
	Strobe	Ultra-high-speed strobe effects Dualsource Strobe Blinder Dual color RGBW strobe Intensity, Duration, Rate and FX control channels per lightsource (3) Pixel strobe feature (up to 8 segments)
	Tilt	220°
	Tilt locking system	Locking system with angle indicator
	View angle	110°
<b>Electrical</b>	Electrical protection	Overload protection with automatic recover
	Input voltage, absolute max. rating	100 - 305 VAC; 50 / 60 Hz
	Input voltage, nominal	115 - 277 VAC; 50 / 60 Hz
	Max inrush current 230VAC	70 A
	Max power consumption	630 W
	Max power thru @ 100 V	13 A
	Max power thru @ 230 V	13 A
	Power factor	0.96 PF (230 V)
	Power Supply Unit	Inbuilt IP 67 Auto-ranging electronic switch-mode
	Standby power consumption	8 W

<b>Programming and Control</b>	16-bit control	Dimmer, Red, Green, Blue, White, Pixels
	Cabled DMX	5 pin XLR input/output
	DMX channels	10, 12, 27, 34, 36, 41, 52
	DMX modes	8
	Protocol	CRMX, W-DMX™ G2, W-DMX™ G3, W-DMX™ G4, W-DMX™ G4S USITT DMX512A RDM ANSI E1.20
	Setting and addressing	OLED graphical display / 4 buttons RDM ANSI E1.20
	Standalone mode	Quick Color 3 programs with up to 24 scenes
	Wireless DMX	Lumen Radio with RDM
<b>Connections</b>	DMX data in/out	IP66 XLR 5-pin connector, Female IP66 XLR 5-pin connector, Male
	Power	Power input connector & link-thru
<b>Installation</b>	Mounting point	3 x two quarter-turn locking points for two or three Omega Brackets
	Orientation	Any
	Rigging possibilities	Hanging (Omega Bracket included) or ceiling/wall mount (optional)
	Safety features	Bottom mount for safety wire Minimum distance to combustible materials: 0.3 meter (11 in).
<b>Thermal</b>	Cooling	Active, Forced Air, Temperature-regulated
	Humidity (max.)	98 %
	Temperature range, operating	-40°C to 50°C
	Temperature range, operating max	50 °C
	Temperature range, operating min	-40 °C
	Temperature range, start-up	-20°C to 50°C
	Temperature range, storage	-40°C to 80°C
	Thermal protection	Automatic overtemperature protection
	Total heat dissipation, max power	2149.6 BTU per hour
	Total heat dissipation, standby	27.3 BTU per hour
<b>Included items</b>	Included items	2 Omega bracket with quarter-turn fasteners 2 m IP66 power cable pigtail Safety instructions and installation quick guide
<b>Conforms To</b>	CE - 2014/30/EU: EMC Directive	EN 55015

EN 61547  
EN 61000-3-2  
EN 61000-3-3  
EN 55032  
EN 55035

CE - 2014/35/EU: Low Voltage  
Directive

EN 60598-1  
EN 60598-2-17  
EN 62471  
EN 60529

RoHS2 Directive  
UL

2011/65/EU  
UL Std. 1573

**Certified To**

CSA

CSA Std. C22.2 No. 166

## Ordering information

Qty	Product name	Item number
<input type="checkbox"/>	Q-8 Flood Strobe, Std, WH	80031751
<input type="checkbox"/>	Q-8 Flood Strobe, Std, CU	80031752
<input type="checkbox"/>	Q-8 Flood Strobe, Std, BL	80031750
<input type="checkbox"/>		
	<b>Accessories</b>	<b>Item number</b>
<input type="checkbox"/>	Omega Bracket with 1/4-turn fasteners	83060602
<input type="checkbox"/>	Power cable with IP connector	07860275
<input type="checkbox"/>	SGM USB uploader cable	83062011
<input type="checkbox"/>	Vacuum Test Kit	83061136
<input type="checkbox"/>	4-way Barndoors for P-6 / Q-8 / I-6	83061173
<input type="checkbox"/>	Filter frame for P-6/Q-8 - medium angle	83061170
<input type="checkbox"/>	Filter frame for P-6/Q-8 - wide angle	83061171
<input type="checkbox"/>	Filter frame for P-6/Q-8 - elliptical horizontal wide angle	83061168
<input type="checkbox"/>	Filter frame for P-6/Q-8 - elliptical vertical wide angle	83061169
<input type="checkbox"/>	8-way Barndoors for P-6 / Q-8	83061186
<input type="checkbox"/>	RDM Addressing Tool	
<input type="checkbox"/>	Flight Case for 4 pcs of P-6/Q-8 incl. accessories	82051509
<input type="checkbox"/>	Spigot adapter for omega bracket	83060639
<input type="checkbox"/>	DoPchoice Snapbag for Q-8 / P-6	83061189
<input type="checkbox"/>	DoPchoice Snapgrid for Q-8 / P-6	83061190
<input type="checkbox"/>	Filter Frame Extender, P-6 / Q-8	83061191
<input type="checkbox"/>		



Headquarter +45 70 20 74 00

Mail [info@sgmlight.com](mailto:info@sgmlight.com)

Website [sgmlight.com](http://sgmlight.com)