

ARTISTE DAVINCI



The **Artiste DaVinci** features a new 270W LED Cool White LED engine with advanced optics delivering over 12,000 total lumens, ultra wide 6° to 48° zoom, full CMY color mixing and linear CTO color correction, 7 dichroic colors including CTB and Violet, 6 rotating glass and 9 static-stamped metal interchangeable gobos, 3-facet and linear rotating prisms, frost filter, full 360° bi-directional animation wheel, motorized iris, focus, and auto-focus, variable dimming curve modes, high speed electronic shutter and strobe, hibernation mode, DMX, RDM (Remote Device Management), Art-NET, and sACN protocol support, Elation's E-FLY internal wireless DMX transceiver, locking 5pin XLR DMX, RJ45 ethernet, power in/out connections, full color 180° reversible menu display with 6 button touch control panel, battery backup for display power, adjustable LED refresh rate and gamma brightness for flicker free operation for TV and FILM, and a multi-voltage universal auto switching power supply (100-240v).

FEATURES

- 270W Cool White 12,000 Lumen LED Spot Luminaire**
- 6° to 48° Motorized Zoom**
- Full CMY Color Mixing and Linear CTO Color Correction**
- 7 Dichroic Colors including CTB and Violet**
- 6 Rotating and 9 Static-Stamped Interchangeable Gobos**
- 3-Facet and Linear Rotating Prisms and Frost Filter**
- Full 360° Bi-Directional Animation Wheel**
- High Speed Electronic Shutter and Strobe**
- Motorized Iris, Focus, and Auto-Focus**
- Variable Dimming Curve Modes**
- DMX, RDM, Art-NET, and sACN Protocol Support**
- Elation's E-FLY™ Internal Wireless DMX Transceiver**
- Low Heat, Quiet Operation, Hibernation Mode**
- Adjustable LED Refresh Rate Frequency and Gamma**
- Flicker Free Operation For Broadcast TV and FILM**

Specifications are subject to change without notice ©Elation Professional 10/06/20



SPECIFICATIONS

SOURCE

270W Cool White LED Engine
50,000 Hour Average LED Life*

*Test lab conditions. May vary depending on several factors including but not limited to: Environmental Conditions, Power/Voltage, Usage Patterns (On-Off Cycling), Control, and Dimming.

PHOTOMETRIC DATA

12,000 Total Lumen Output
CRI 72+
Zoom Range 6° - 48°
Beam Angle 7.3° - 41.5°
Field Angle 8.4° - 46.1°

EFFECTS

Motorized Zoom
3-Facet and Linear Rotating Prisms and Prism Macros
Full 360° Bi-Directional Rotating Animation Wheel
Frost Filter Hybrid Wash Effect
Motorized Zoom, Iris, Focus and Auto-Focus
High Speed Electronic Shutter and Strobe
Variable 16-Bit Dimming Curve Modes
Adjustable LED Refresh Rate Frequency and Gamma Brightness

COLOR

7 Dichroic Colors + CTB
Full CMY Color Mixing
Linear CTO Color Correction

GOBOS

2 Gobo Wheels
6 Interchangeable Rotating / Indexing Gobos
9 Interchangeable Static-Fixed Metal Gobos

CONTROL / CONNECTIONS

(3) DMX Channel Modes (40 total channels)
6 Button Touch Control Panel
Full Color 180° Reversible LCD Menu Display
8 / 16 Bit Resolution Adjustable Movement
DMX, RDM, Art-Net, sACN Protocol Support
Elation's E-FLY™ Internal Wireless DMX Transceiver
Locking 5pin XLR DMX, RJ45 Ethernet, and Power
With Wired Digital Communication Network

SIZE / WEIGHT

Length: 16.4" (416mm)
Width: 11.2" (284mm)
Vertical Height: 25.4" (645mm)
Weight: 56.0 lbs. (25.4kg)

ELECTRICAL / THERMAL

AC 100-240V - 50/60Hz
470W Max Power Consumption
14°F to 113°F (-10°C to 45°C)
BTU/hr (+/- 10%) 1602.7

APPROVALS / RATINGS

CE | cETLus | IP20

PHOTOMETRIC DATA

MIN ZOOM - 6° Beam Diameter (full on)

5 m	16.4 ft	10 m	32.8 ft	15 m	49.2 ft
0.55	1.8	1.11	3.6	1.67	5.5
lux	fc	lux	fc	lux	fc
23,560	2,189	5,910	549	2,668	248

MAX ZOOM - 48° Beam Diameter (full on)

5 m	16.4 ft	10 m	32.8 ft	15 m	49.2 ft
4.4	14.4	8.8	28.9	13.2	43.3
lux	fc	lux	fc	lux	fc
1,049	97	307	29	147	14

COLORS AND GOBOS

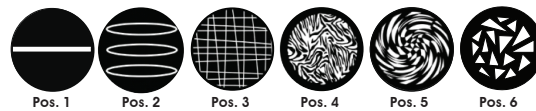
COLOR FLAGS



COLOR WHEEL



INTERCHANGEABLE-ROTATING GOBO WHEEL 1 - OD: Ø29.8mm ID: Ø20.0mm**



INTERCHANGEABLE STATIC-FIXED GOBO WHEEL 2 - OD: Ø25.8mm ID: Ø22.0mm**



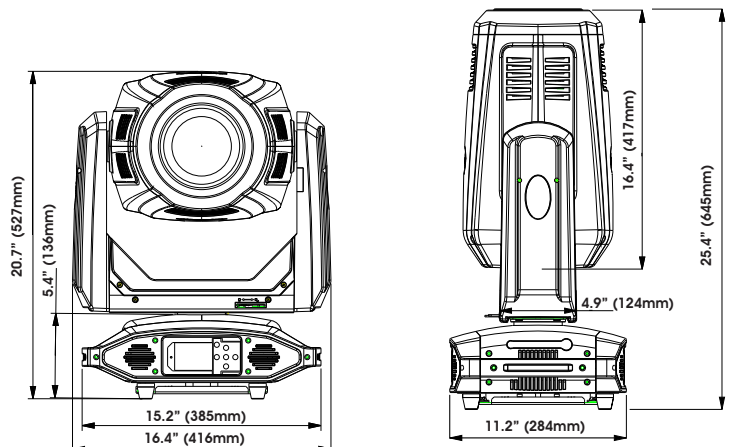
****IMPORTANT NOTICE REGARDING GOBO DIMENSIONS AND CUSTOM GOBOS**

OD = Outside Diameter | ID = Image Diameter
Due to varying manufacturing processes, it is highly recommended to provide a gobo and holder sample from the fixture to 3rd party custom gobo vendors for accurate sizing.

ORDERING INFORMATION

EAD582	ARTISTE DAVINCI™
TRIGGER CLAMP	Heavy Duty Wrap Around Hook Style Clamp
DRCVINC1	Dual Road Case For Artiste Davinci
EFL001	E-FLY™ Wireless DMX Transceiver
AC5PDMX5PRO	5 ft. (1.5m) Locking 5pin PRO DMX Cable
NEU088	3 ft. (1m) Locking Power Link Cable
CAT6PRO5	5 ft. (1.5m) Locking CAT6 Ethernet Cable
	Additional cable lengths available

DIMENSIONAL DIAGRAMS



Specifications are subject to change without notice ©Elation Professional 10/06/20

