



## KEY FEATURES

High Output Bright White LED Engine with excellent color rendition

CMY and CTO color mixing

7 Position Color Wheel

Interchangeable PC and Fresnel Lens options included for even washes and powerful illumination

Internal indexable barn door system for beam shaping and light control at any angle

Seamless Frost Filter

Silent and Cool Operation

The **Artiste Van Gogh™** is a compact powerful framing Wash fixture with outstanding light quality. It is an ideal partner to the Profile fixtures in Elation's Artiste fixture range.

Providing up to 16,000 total lumens from its efficient 380W 6,500K LED engine allows the fixture to be utilized in many applications. Due to its high 91 color rendering index and its whisper quiet operation it is ideally suited for Television, Theater and Corporate Events, or any application where powerful and even coverage is desired. Illuminating objects and people with precise color reproduction is the perfect application for the **Artiste Van Gogh**. A 16bit CMY color system with a seamless CTO filter offers the designer a wide color range from subtle pastels to vibrant primaries. A seven position color wheel is provided for additional effects and includes a dedicated UV filter.

An integrated 4 blade barn door system allows for precise light control and beam shaping. The entire barn door assembly is indexable allowing the Van Gogh's beam shaping system to be usable at any angle. With its wide zoom range and included interchangeable PC or Fresnel lens options, the Van Gogh is flexible for any distance and desired fields from concentrated light beams to wide and smooth washes. The additional frost filter can be added at any time for an extra layer of output smoothing.

The **Artiste Van Gogh™** fixture ships in a cardboard box with a custom fitted polyurethane foam FIL (Foam In Lay) insert. This foam insert easily fits into a custom sized flight case (not included), and provides enhanced impact protection during transport.



## SOURCE

380W 6500K LED Engine  
20,000 Hour Average LED Life\*  
\*Test lab conditions. May vary depending on several factors including but not limited to: Environmental Conditions, Power/Voltage, Usage Patterns (On-Off Cycling), Control, and Dimming.

## PHOTOMETRIC DATA

16,000 Total Output Lumen  
CRI 91

## FRESNEL LENS

Zoom Range 11° - 66°  
Beam Angle 7.5° - 45.2°  
Field Angle 16.5° - 68.2°

## PC LENS

Zoom Range 7° - 55°  
Beam Angle 5.6° - 43.2°  
Field Angle 7.1° - 58°

## EFFECTS

Motorized Zoom  
CMY + CTO Color Mixing  
7 Position Fixed Color Wheel including UV  
4 Independent Barn Doors  
Barn Door Index Adjustment  
Frost Filter  
Remote Focus Adjustment  
Electronic Strobe and Variable Dimming Curves  
16-bit Dimming  
Pan Angle: 540°/630°  
Tilt Angle: 260°

## CONTROL / CONNECTIONS

2 DMX Channel Modes (22 / 36 Channels)  
DMX Adjustable Refresh Rate (900 - 25000 Hz)  
(6) Button Touch Panel  
Full Color 180° Reversible LCD Menu Display  
DMX, RDM, Art-Net, sACN Protocol Support  
Locking 5pin XLR DMX, RJ45 Ethernet, and Power  
USB Connection (Firmware Updates)  
With Wired Digital Communication Network

## SIZE / WEIGHT

Length: 16.6 in (421mm)  
Width: 17.7 in (451mm) (Fresnel Lens)  
Height: 26.4 in (670mm)  
Center Spacing: 24.0 in (609mm)  
Weight: 62.8 lbs. (28.5kg)

## ELECTRICAL

AC 100-240V 50/60Hz  
600W Max Power Consumption  
BTU/hr (+/- 10%) 2046

## APPROVALS / RATINGS

CE | cETLus | IP20



# ARTISTE VAN GOGH



380W Cool White LED Wash Fixture with CMY

**GOBOS | LENSES**

## COLOR FLAGS



CYAN MAGENTA YELLOW C.T.O.

## COLOR WHEEL



RED GREEN ORANGE C.T.B. U V PINK DARK BLUE



**FRESNEL  
LENS**

**PC  
LENS**

## ORDERING INFORMATION

SKU (US)	SKU (EU)	DESCRIPTION
EAV259	1237000181	Artiste Van Gogh



Specifications are subject to change without notice ©Elation Professional 08/30/2023  
 Elation Professional USA | 6122 S. Eastern Ave. | Los Angeles, CA. 90040  
 323-582-3322 | 323-832-9142 fax | www.elationlighting.com | info@elationlighting.com

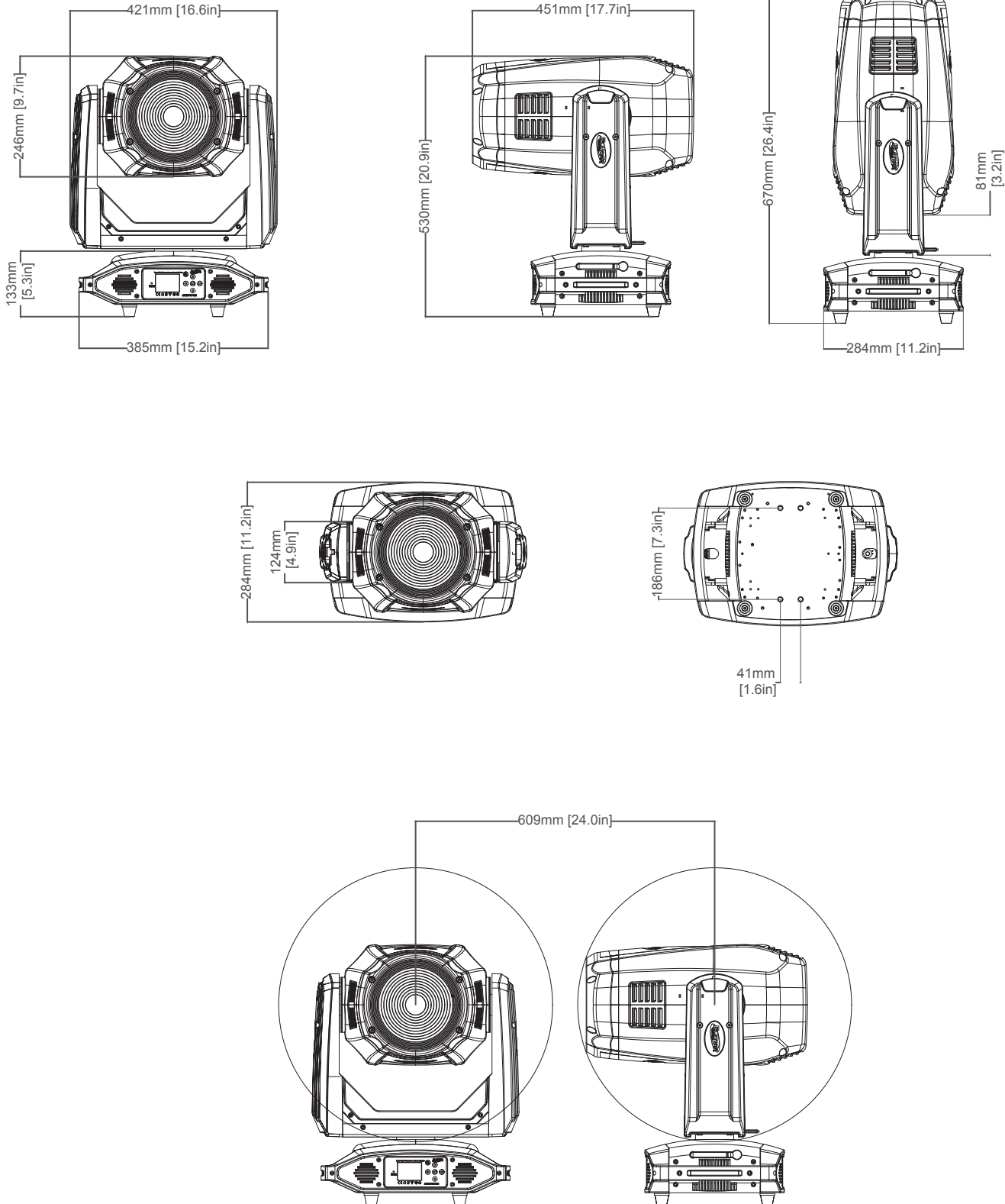
Elation Professional B.V. | Junostraat 2 | 6468 EW Kerkrade, The Netherlands  
 +31 45 546 85 66 | +31 45 546 85 96 fax | www.elationlighting.eu | info@elationlighting.eu

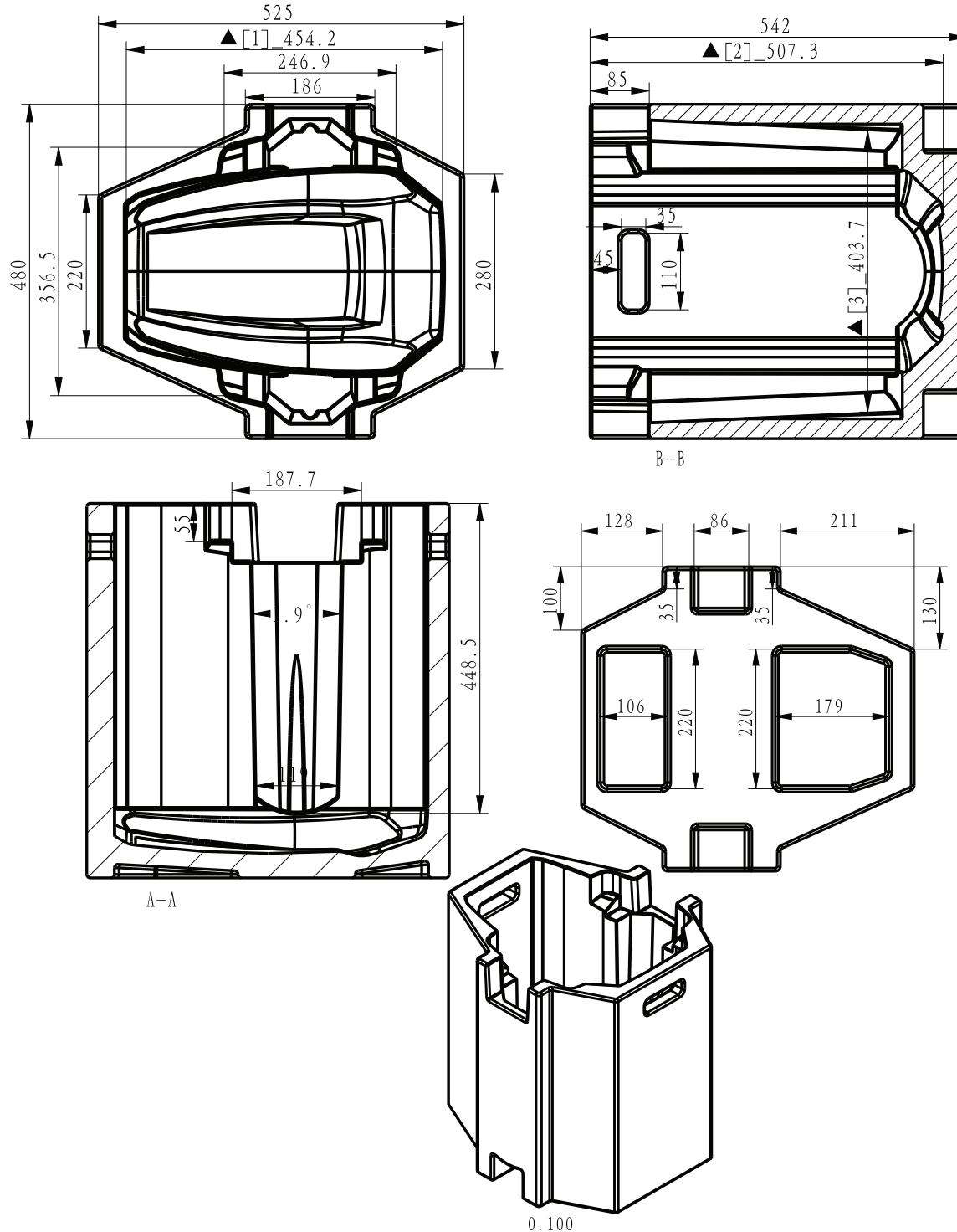
# ARTISTE VAN GOGH



380W Cool White LED Wash Fixture with CMY

## UNIT DIMENSIONS





All dimensions in (mm) ©ELATION PROFESSIONAL all rights reserved.  
 Information contained within this drawing is proprietary and confidential.  
 Any reproduction and/or distribution of any part of this drawing without the written consent by Elation Professional is strictly prohibited. Diagrams and/or measurements herein subject to change without notice.