



Datasheet

AX5 TRIPLE PAR



Optimized for a fast return of investment, this stage lighting fixture replaces your wireless and wired PARs as well as battery uplights. It's the ultimate tool for entertainment professionals.



Max 20h



Wireless DMX



IP65



App

SPECIFICATIONS

	AX5	AX5-BTB
Order Code	AX5	AX5-BTB
LED Engine	RGBAW	
Colors	RGBAW	
Total LED Power	45 W	
Luminous Flux 3200K	1 080 Lumens	
Luminous Flux 5500K	1 413 Lumens	
Light Output 3200 K @ 2m	4 800 Lux	
Light Output 5500 K @ 2m	5 151 Lux	
CRI (Ra)/ TLCI 3200- 6500 K*	≤92	
Beam Angle	13°	
Field Angle	26°	
Strobe	0 - 25 Hertz	
Pixels	1	
Battery Runtime	up to 20 hours	
Battery Lifetime	70 % after 300 cycles	
Charging Time (nominal)	5 hours	
AC Input	90-264 VAC, 47/63 Hertz, 1.2 A / 115 VAC, 1.0 A / 230 VAC	
AC Connector	PowerCON TRUE1 IN/OUT	
Wired DMX	Yes (via 5-pin XLR)	
CRMX Receiver	Built-in	
BluetoothBridge BTB	NO	Built-in
Wireless Protocols	CRMX, UHF	CRMX, UHF, Bluetooth, WiFi
Wireless Range	CRMX/UHF up to 300 m / 330 yds	CRMX/UHF up to 300 m / 330 yds Bluetooth up to 3 m / 3.3 yds
Infrared Control	Yes	
Housing Material	Aluminium	
IP Rating	IP65	
Ambient Operating Temperature	0 - 40 °C / 32 - 104 °F	
Weight	3.4 kg / 7.5 lbs	
Dimensions with bracket (L x W x D)	148.1 mm x 193.6 mm x 213.5 mm / 5.83" x 7.62" x 8.40"	
Dimensions without bracket (Ø x H)	Ø 153.2 mm x 140.5 mm / Ø 6.03" x 5.53"	
Mounting Options	4x M6 threads, Safety eyelet, Bracket (with 3/8" - 16UNC / 1/2" hole)	

*Typical value

RF CHARACTERISTICS AX5

Wireless Modules	EU: UHF*** (863-870MHz)	USA: UHF (917-922.20MHz)	AUS: UHF (922.30-927.50MHz)	SGP: UHF (920.50-924.50MHz)	KOR: UHF (917.9-921.5MHz)
Modulation	FHSS	FHSS	FHSS	FHSS	FHSS
ERP (Transmitter)	<25mW	<25mW	<25mW	<25mW	<25mW
Channel Count	47	53	53	41	10

Wireless Modules	RUS: UHF (868.75-869.12MHz)	JPN: UHF (922.80-926.40MHz)	CRMX (2402-2480MHz)
Modulation	FHSS	FHSS	FHSS
ERP (Transmitter)	<25mW	<25mW	-
Channel Count	6	19	79

***General allocation of frequencies for use by short-range radio applications

RF CHARACTERISTICS AX5-BTB

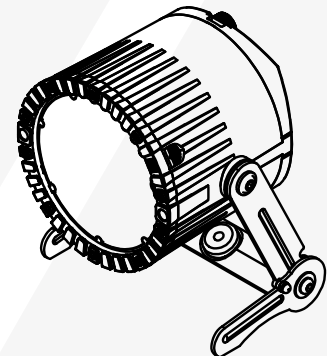
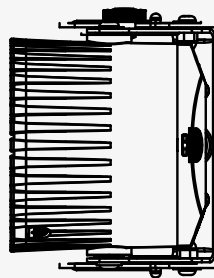
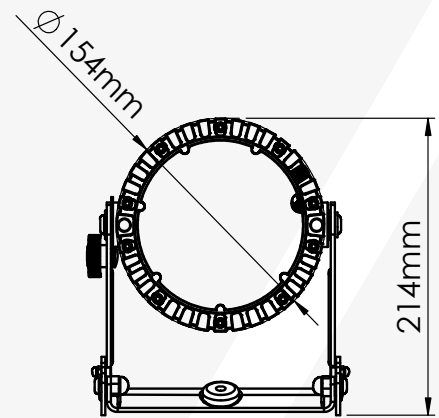
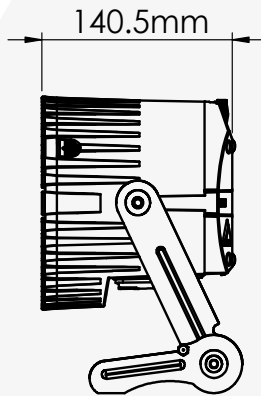
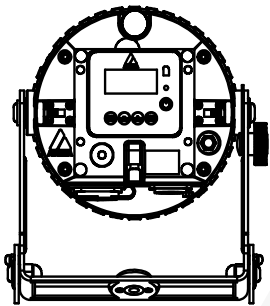


Wireless Modules	EU: UHF*** (863-870MHz)	USA: UHF (917-922.20MHz)	AUS: UHF (922.30-927.50MHz)	SGP: UHF (920.50-924.50MHz)	KOR: UHF (917.9-921.5MHz)
Modulation	FHSS	FHSS	FHSS	FHSS	FHSS
ERP (Transmitter)	<25mW	<25mW	<25mW	<25mW	<25mW
Channel Count	47	53	53	41	10

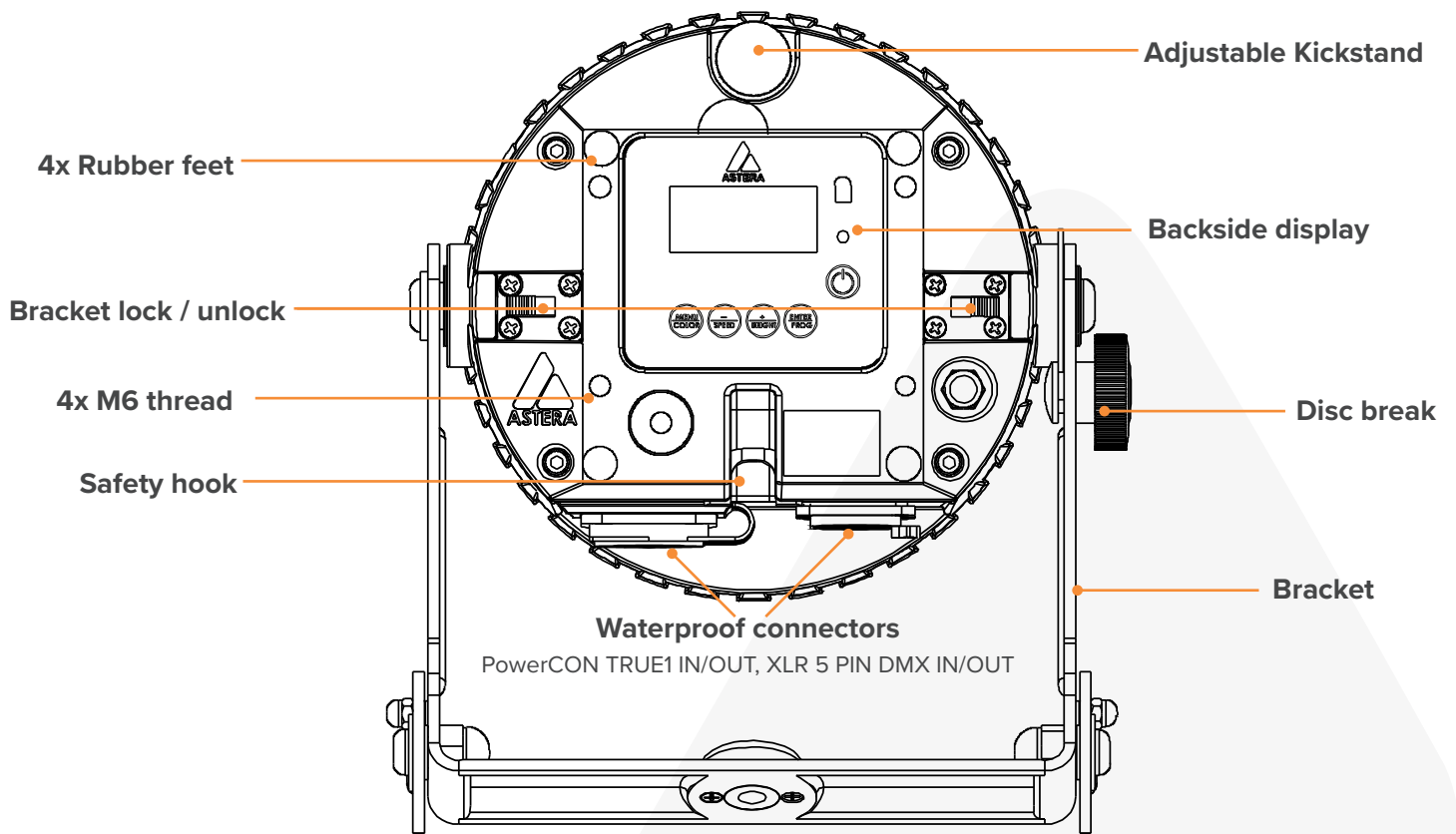
Wireless Modules	RUS: UHF (868.75-869.12MHz)	JPN: UHF (922.80-926.40MHz)	CRMX (2402-2480MHz)	Bluetooth 5.0 LE (2402-2480MHz)	WiFi (2412-2472MHz)
Modulation	FHSS	FHSS	FHSS	FHSS	DSSS, OFDM
ERP (Transmitter)	<25mW	<25mW	-	10mW (BLE)	<100mW
Channel Count	6	19	79	40	13

***General allocation of frequencies for use by short-range radio applications

DRAWINGS



BACKSIDE AND BRACKET



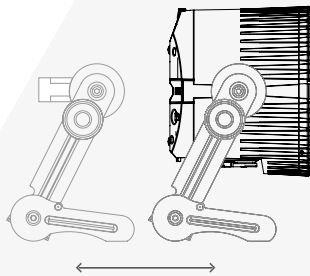
ACCESSORIES

AX5 Bracket AX5-STA

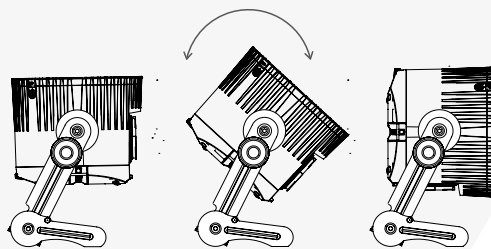


Dimensions (mm/inch):
200 x 222 / 7.9 x 8.7
Weight (g/lbs):
808g / 1.8 lbs

Removeable



Tiltable

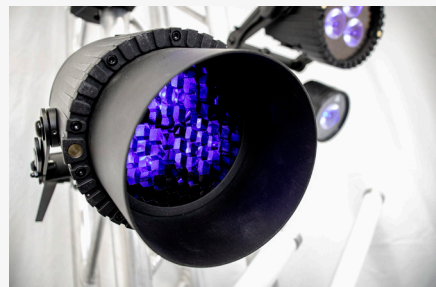


Snoot AX5-SN



Dimensions:
82 mm x Ø 125 mm / 3.2" x Ø 5"
Weight:
0.21 kg / 0.47 lbs

Snoot on AX5 TriplePar



Bolt for AX5
AX5-BLT



Filters

included

included



FloodFilter 32°
AX5-FF

WallwashFilter 17°x46°
AX5-WWF

Rotatable Filter 17°x46°
AX5-ROTAD

FlexCover White
AX5-FLXCVR-WT-8



FlexCover Mirror
AX5-FLXCVR-MIR-8

