

SMARTY HYBRID



The **SMARTY HYBRID™** is a compact full featured CMY color mixing spot, beam, and wash hybrid luminaire featuring the all new Philips™ MSD Platinum 200 Flex lamp with “FLEX” technology which uses a smartly designed discharge lamp/ballast package to produce high output and compact performance at an efficient, long life solution of up to 6,000 hours. Features include 11,000 total lumen output, motorized zoom ranges of 1° to 18° in beam mode, 3° to 27° in spot mode, and 5° to 33° in wash mode, a full CMY color mixing system, a full frost filter for wash effects, 13 dichroic colors including a quad-color filter, CTB, CTO, and UV, 8 rotating—interchangeable glass and 12 static-stamped metal gobos, a 16-facet and 4-facet linear independent rotating prisms, multiple CMY color, gobo, and prism macros, motorized focus with an auto-focus feature, high speed shutter and strobe, lamp hibernation mode, DMX, RDM (Remote Device Management), Art-NET, and sACN protocol support, Elation’s E-FLY™ internal wireless DMX transceiver, 5pin XLR, RJ45 ethernet, and Locking Power Cable in/out connections, full color 180° reversible LCD menu display with battery backup, a multi-voltage universal auto switching power supply (100-240V), and a comprehensive 2-year / 6,000 hour ultimate warranty**.

FEATURES

- 3-in-1 Smart Hybrid Beam, Spot, Wash Luminaire**
- New Philips™ MSD Platinum 200 Flex Lamp**
- Up To 6,000 Lamp Hours***
- FLEX Lamp Technology from 190 to 280W + Hibernation**
- Motorized Zoom: 1° - 18° Beam, 3° - 27° Spot, 5° - 33° Wash**
- Full Frost Filter for Wash Effects**
- Full CMY Color Mixing System**
- 13 Colors including Quad Color, CTB, CTO, and UV**
- 8 Rotating Interchangeable Glass Gobos**
- 12 Static-Stamped Metal Gobos**
- 16-Facet and 4-Facet Linear Rotating Prisms**
- Multiple CMY Color, Gobo, and Prism Macros**
- Motorized Focus with Auto-Focus Feature**
- DMX, RDM, Art-NET, and sACN Support**
- Elation’s E-FLY™ Internal Wireless DMX Transceiver**
- Ultimate Warranty** - Comprehensive 2 Years / 6,000 Hours**

*First 2 Years of operation or 6,000 hours of use, whichever comes first, based on regular fixture/lamp maintenance.



Specifications are subject to change without notice ©Elation Professional 08/17/20

Elation Professional USA | 6122 S. Eastern Ave. | Los Angeles, CA. 90040
323-582-3322 | 323-832-9142 fax | www.elationlighting.com | info@elationlighting.com

Elation Professional B.V. | Junostraat 2 | 6468 EW Kerkrade, The Netherlands
+31 45 546 85 66 | +31 45 546 85 96 fax | www.elationlighting.eu | info@elationlighting.eu

PRODUCT SPECIFICATIONS

SOURCE

Philips MSD Platinum 400 Flex 480W Lamp
 Variable Lamp Power 370/470/480W
 Automated Lamp Hibernation with Instant Recovery
 Up to 4,000 Hour Lamp Life**May vary depending on several factors including but not limited to: Environmental Conditions, Power/Voltage, Usage Patterns (On-Off Cycling), Control, Dimming, and Lamp Mode.

PHOTOMETRIC DATA

21,000+ Lumen Total Fixture Output
 1.5° Beam: 1,784,448 LUX (165,781 FC) @5m (16.4ft)
 3° Spot: 462,508 LUX (42,968 FC) @5m (16.4ft)

Beam

Zoom Range 2° - 20°
 Beam Angle 0.8° - 6.5°
 Field Angle 1.8° - 16.2°

Spot

Zoom Range 3° - 30°
 Beam Angle 1.7° - 14.8°
 Field Angle 3° - 26.5°

Wash

Zoom Range 9° - 35°
 Beam Angle 6.8° - 29°
 Field Angle 12.8° - 39.4°

EFFECTS

Beam, Spot, and Wash Modes
 Motorized Zoom: 1° to 18° Beam and 3° to 27° Spot
 Full Frost Filter for Wash Effects
 16-Facet and 4-Facet Linear Rotating Prisms
 CMY Color, Gobo, and Prism Macros
 Motorized Focus with Auto-Focus Feature
 High Speed Shutter and Strobe

COLOR

Full CMY Color Mixing System
 13 Colors including Quad Color, CTB, CTO, and UV

GOBOS

2 Gobo Wheels
 8 Interchangeable-Rotating / Indexing Glass Gobos
 12 Static-Stamped Metal Gobos

CONTROL / CONNECTIONS

2 DMX Channel Modes (20 / 34 channels)
 Full Color 180° Reversible LCD Menu Display
 6 Button Menu Control Panel
 16 Bit Resolution Adjustable Movement
 DMX, RDM, Art-NET, and sACN Protocol Support
 Elation E-FLY Internal Wireless DMX Transceiver
 5pin DMX and RJ45 ethernet In/Out
 Locking Power Cable In/Out

SIZE / WEIGHT

Length: 15.2" (385mm)
 Width: 15.9" (405mm)
 Vertical Height: 24.0" (610mm)
 Weight: 49.0 lbs. (22.2 kg)

ELECTRICAL / THERMAL

AC 100-240V - 50/60Hz
 480W Max Power Consumption
 14°F to 113°F (-10°C to 45°C)
 BTU/hr (+/-10%) 1636.8

APPROVALS / RATINGS

CE | cETLus | IP20



ORDERING INFORMATION

ESH241	SMARTY HYBRID
DRCSMARTY	Dual Road Case For SMARTY HYBRID
ZB-MSD PLATINUM 200 FLEX	Philips MSD Platinum 200 Flex Lamp

COLORS AND GOBOS

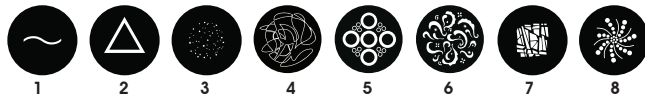
COLOR WHEEL



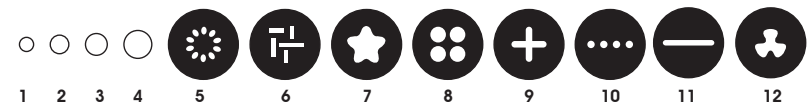
COLOR FLAGS



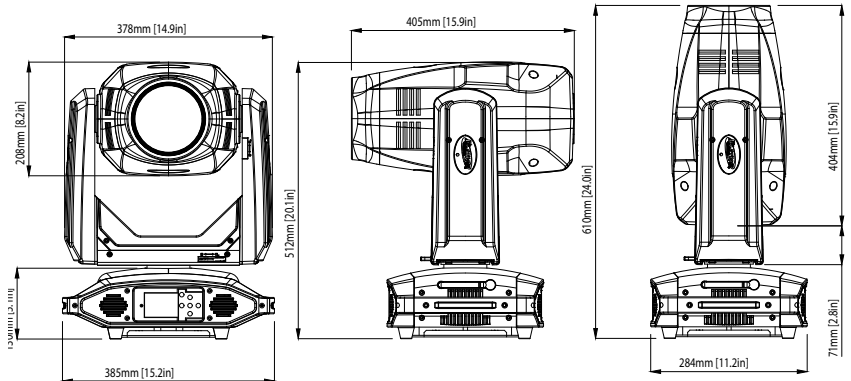
INTERCHANGEABLE-ROTATING GLASS GOBO WHEEL 1



STATIC-FIXED METAL GOBO WHEEL 2



DIMENSIONAL DIAGRAMS



Specifications are subject to change without notice ©Elation Professional 08/17/20

