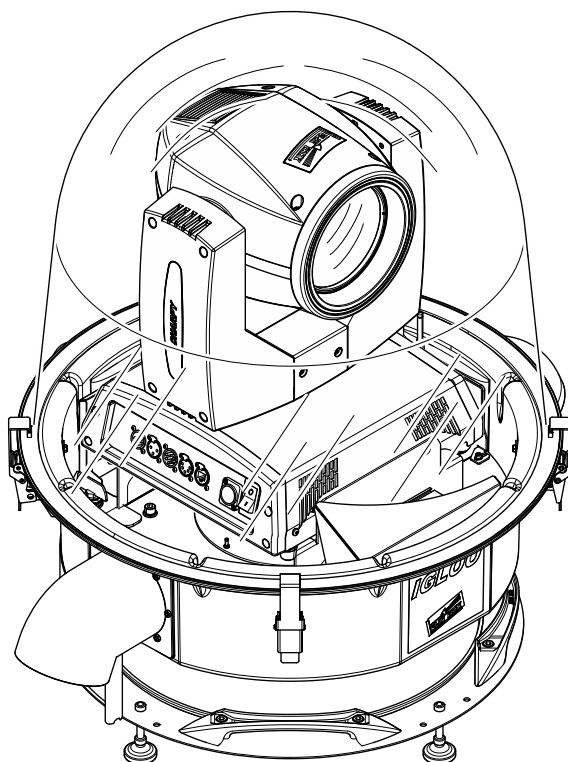


INSTRUCTION MANUAL



INDEX

Page	Contents
2	Safety Information
3	Unpacking and preparation
4	Installation and start-up
14	Maintenance
16	Technical information

Congratulations on choosing a Claypaky product!

We thank you for your custom.

Please note that this product, as all the others in the rich Claypaky range, has been designed and made with total quality to ensure excellent performance and best meet your expectations and requirements.

Carefully read this instruction manual in its entirety and keep it safe for future reference. It is essential to know the information and comply with the instructions given in this manual to ensure the fitting is installed, used and serviced correctly and safely.

CLAY PAKY S.p.A. disclaims all liability for damage to the fitting or to other property or persons deriving from installation, use and maintenance that have not been carried out in conformity with this instruction manual, which must always accompany the fitting.

CLAY PAKY S.p.A. reserves the right to modify the characteristics stated in this instruction manual at any time and without prior notice.

SAFETY INFORMATION

EN

SAFETY INFORMATION

IMPORTANT: Claypaky recommends you carefully read and keep the safety information on this product, also available in digital format at the following link:

www.claypaky.com

Ref: [FIS014 – Safety Information Igloo]

IT

INFORMAZIONI DI SICUREZZA

IMPORTANTE: Claypaky raccomanda di leggere accuratamente e conservare le informazioni di sicurezza relative a questo prodotto, sempre reperibili in versione digitale al seguente link:

www.claypaky.com

Rif: [FIS014 – Safety Information Igloo]

DE

INFORMATIONEN ZUR SICHERHEIT

WICHTIG: Claypaky empfiehlt, die Sicherheitsinformationen bezüglich dieses Produkts genau zu lesen und aufzubewahren. Sie sind in Digitalversion immer unter folgendem Link auffindbar:

www.claypaky.com

Ref: [FIS014 – Safety Information Igloo]

ES

INFORMACIONES DE SEGURIDAD

IMPORTANTE: Claypaky recomienda leer detenidamente y conservar la información de seguridad relativa a este producto. Además, está disponible una versión digital de la misma en el siguiente enlace:

www.claypaky.com

Ref: [FIS014 – Safety Information Igloo]

FR

CONSIGNES DE SÉCURITÉ

IMPORTANT: Claypaky recommande de lire attentivement et de conserver les informations de sécurité relatives à ce produit, disponibles en version digitale au lien suivant:

www.claypaky.com

Réf. : [FIS014 – Safety Information Igloo]

RU

ИНСТРУКЦИЮ ПО ТЕХНИКЕ БЕЗОПАСНОСТИ



ВАЖНО: Claypaky рекомендует внимательно прочитать и сохранить инструкцию по технике безопасности данного изделия, которая всегда доступна в электронном формате по следующей ссылке:

www.claypaky.com

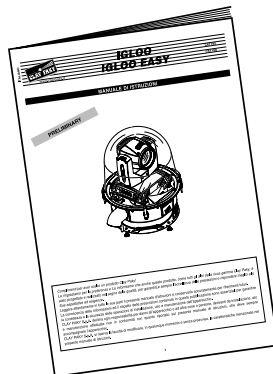
Наименование: [FIS014 – Safety Information Igloo]

WARNING:

For dimensional, thermal or operating problems, IGLOO use in Claypaky projectors other than those listed or other brand projectors is NOT permitted.

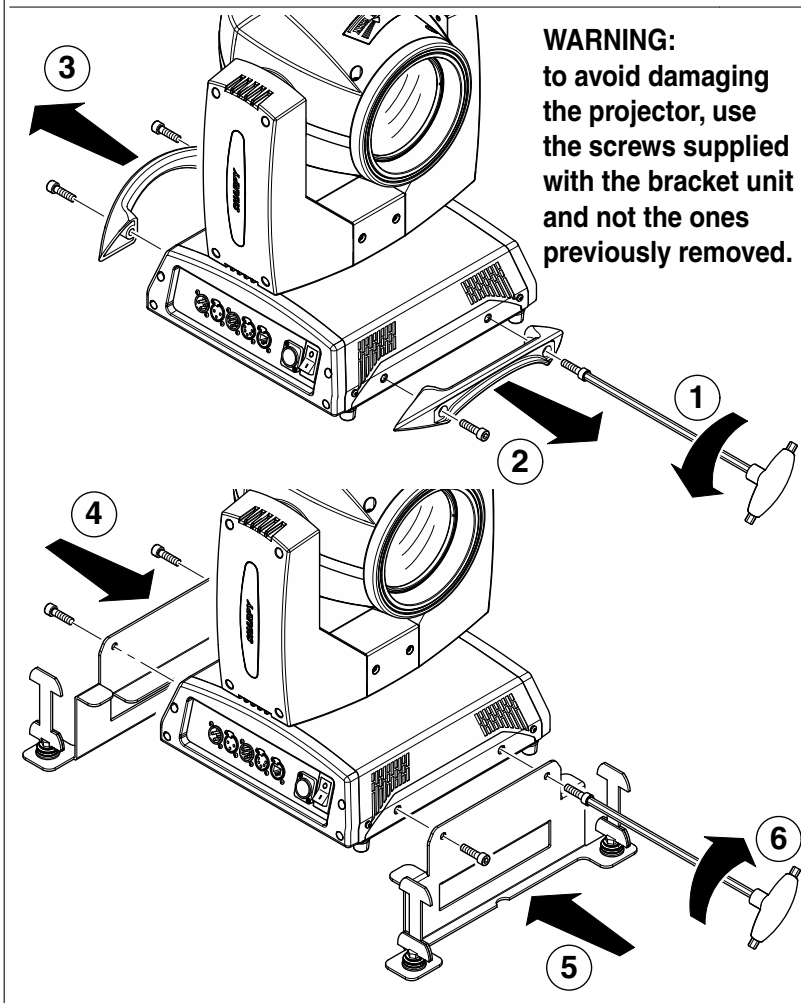
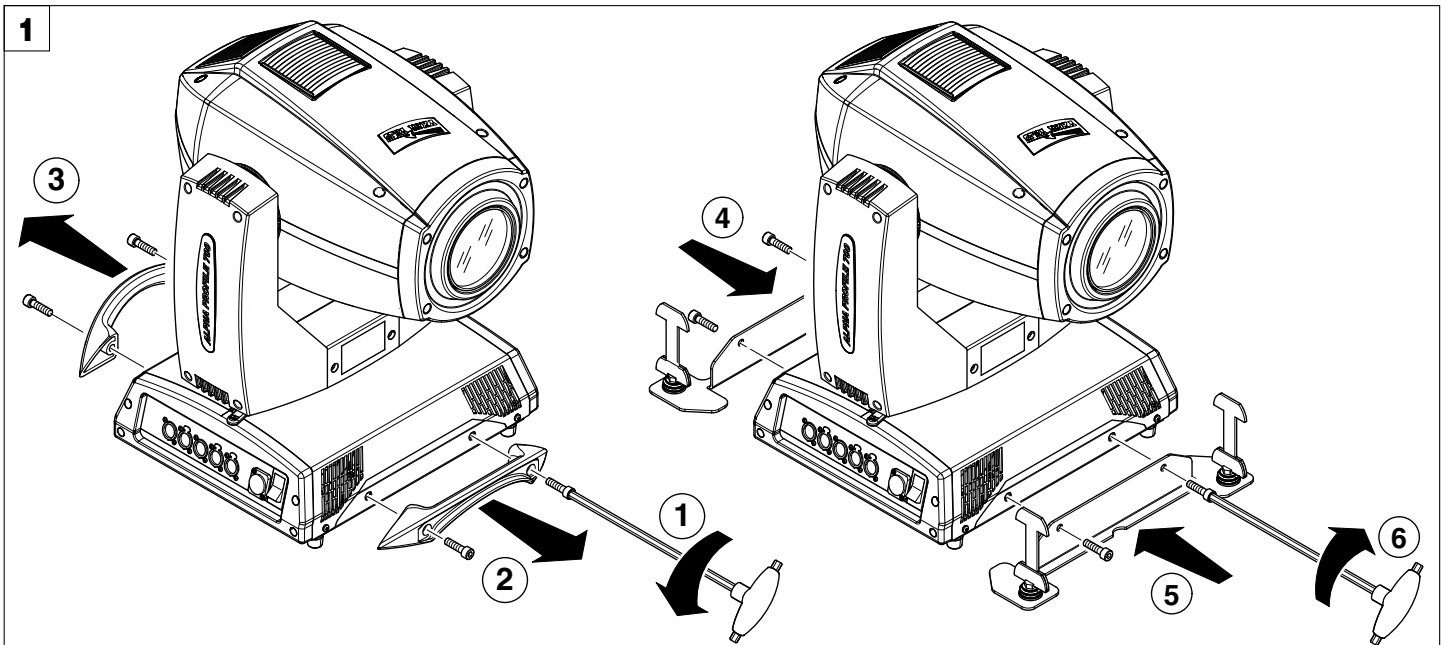
PROJECTOR	 MINIMUM ambient temperature	 MAXIMUM ambient temperature
<ul style="list-style-type: none">o Mini-Bo Hy B-Eye serieso Xtyloso Axcor 300 serieso Alpha 300 Serieso Alpha 700 Serieso Sharpyo Sharpy Wash 330o A.leda Wash Serieso A.leda B-Eye Serieso SUPERSHARPYo MYTHOS	<p>- 20 °C</p> <p>- 4 °F</p>	<p>+ 40 °C</p> <p>+ 104 °F</p>

UNPACKING AND PREPARATION



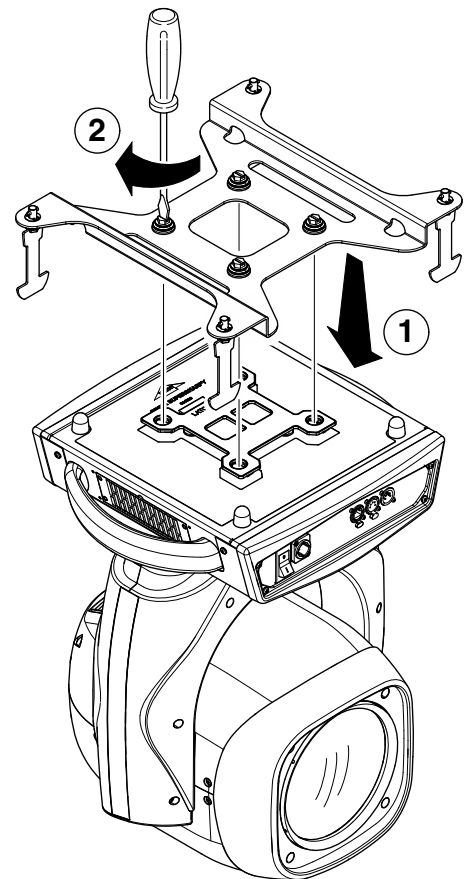
IST00S/001

INSTALLATION AND START-UP



WARNING:
to avoid damaging
the projector, use
the screws supplied
with the bracket unit
and not the ones
previously removed.

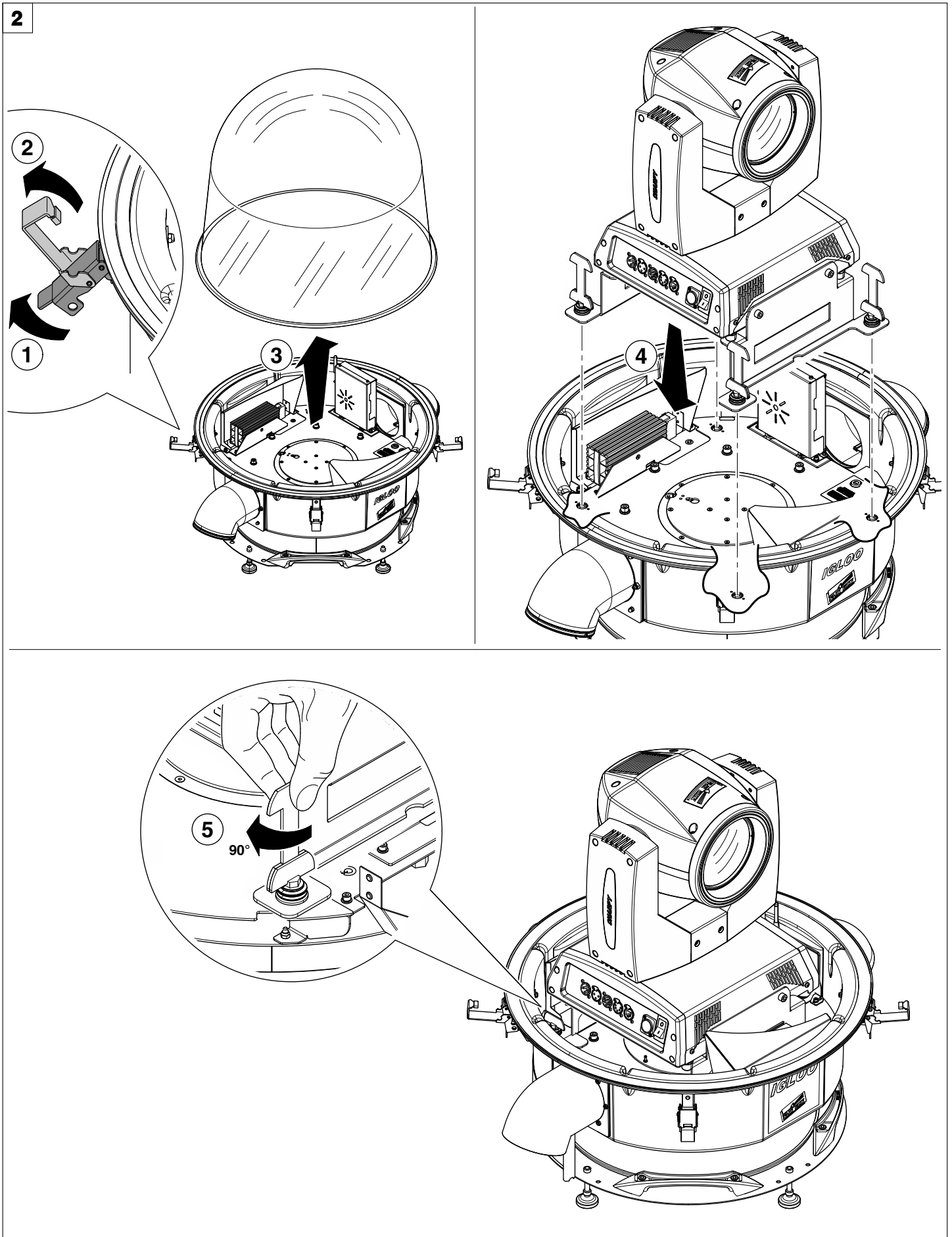
Supersharpy & Mythos additional information
With the bracket code C61177 and C61605 is not necessary
to remove the side handles of SuperSharpy and Mythos.



Mounting brackets for projector placement - Fig. 1

The dedicated brackets replacing the side handles should be mounted before inserting the projector in the IGLOO:

- CA3003000100 - fast fit bracket and connection cable for Hy B-Eye series
- CA3004000100 - fast fit bracket and connection cable for Mini-B
- C61786 - fast fit bracket and connection cable for Xtylos
- C61605 - fast fit bracket for Axcor 300 series
- C61192 - fast fit bracket for ALPHA 300/700
- C61191 - fast fit bracket for SHARPY and SHARPY WASH 330
- C61183 - fast fit bracket for A.leda K10 line
- C61184 - fast fit bracket for A.leda K20 line.
- C61177 - fast fit bracket and connection cable for Mythos and Supersharpy
- CAB02S/801 - connection cable (from Powercon to PowerconTrue)

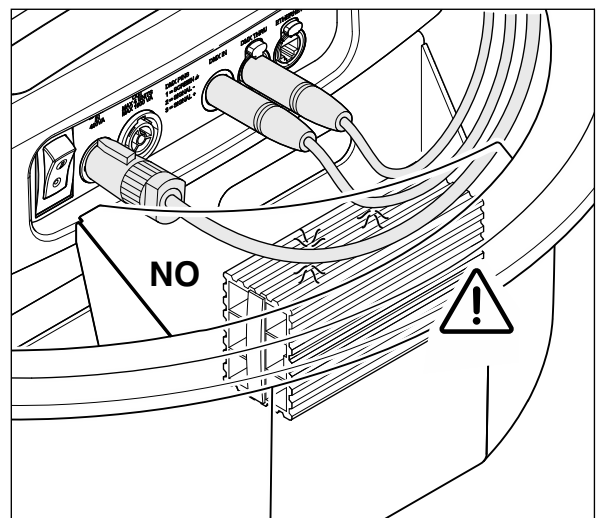
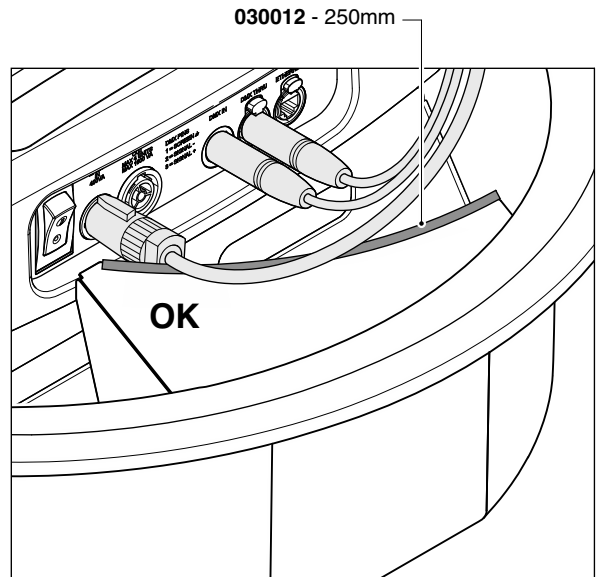
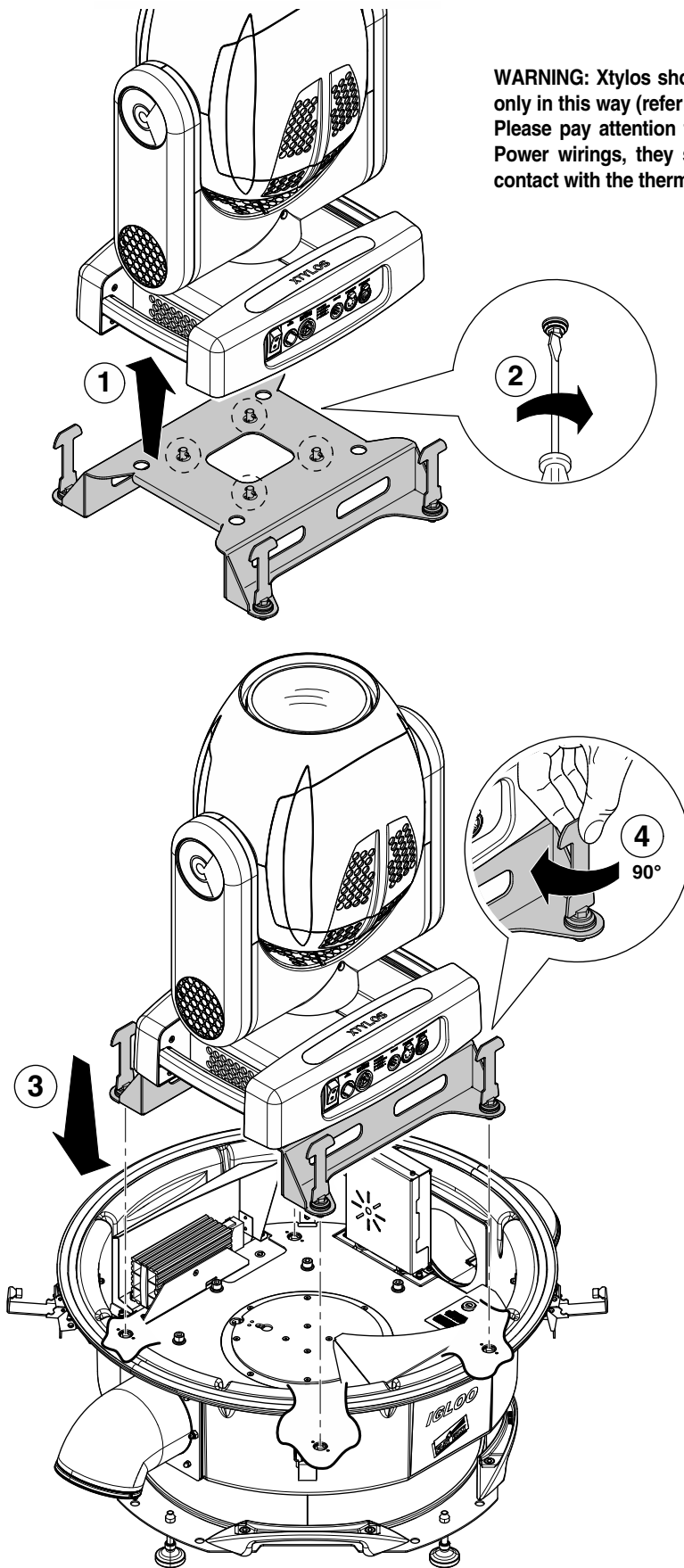


Projector positioning - Fig. 2

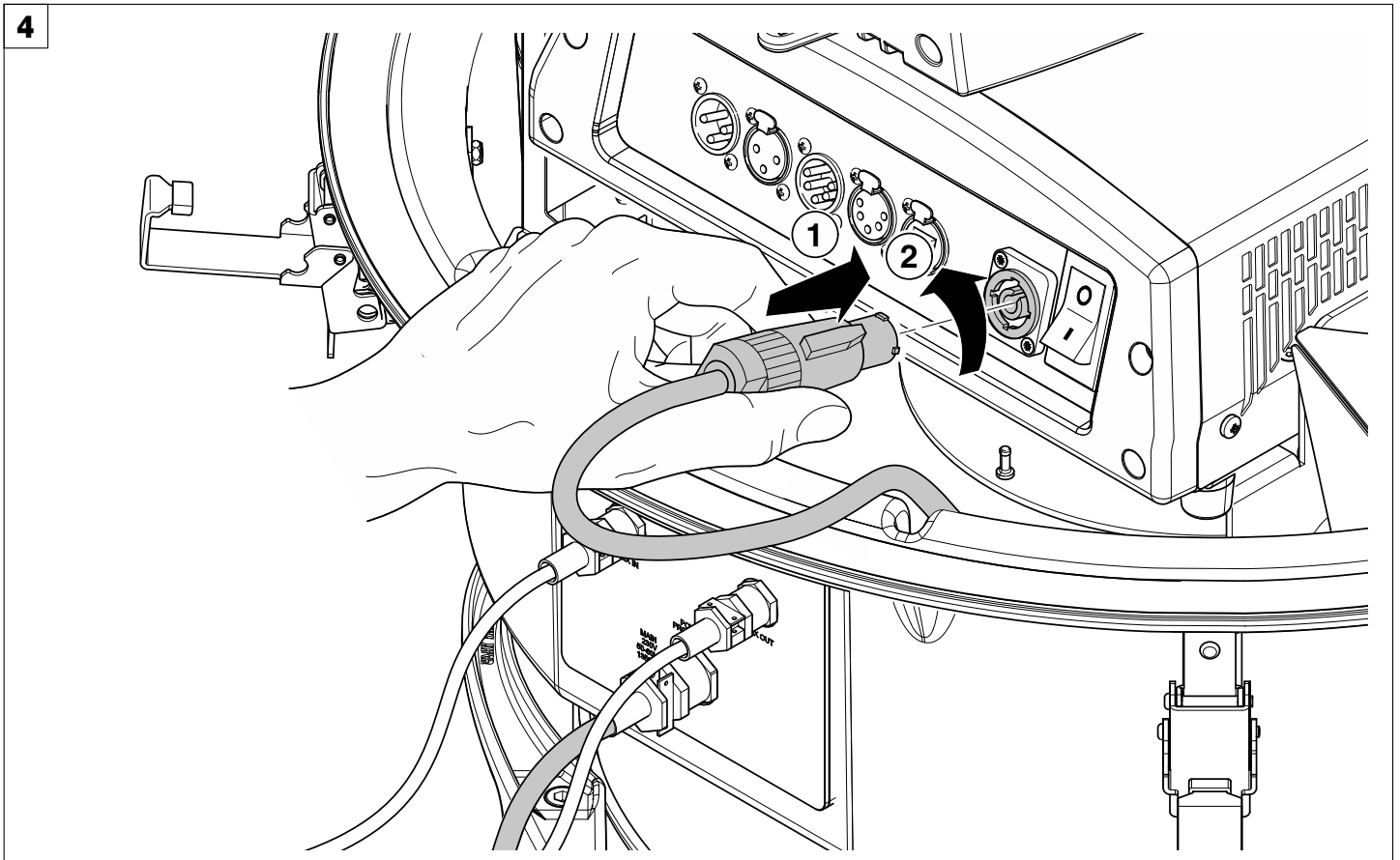
Once placed in the igloo the projector is fixed to the base by tightening the screws using 1/4 turns secured to the brackets.

3 Xtylos additional information

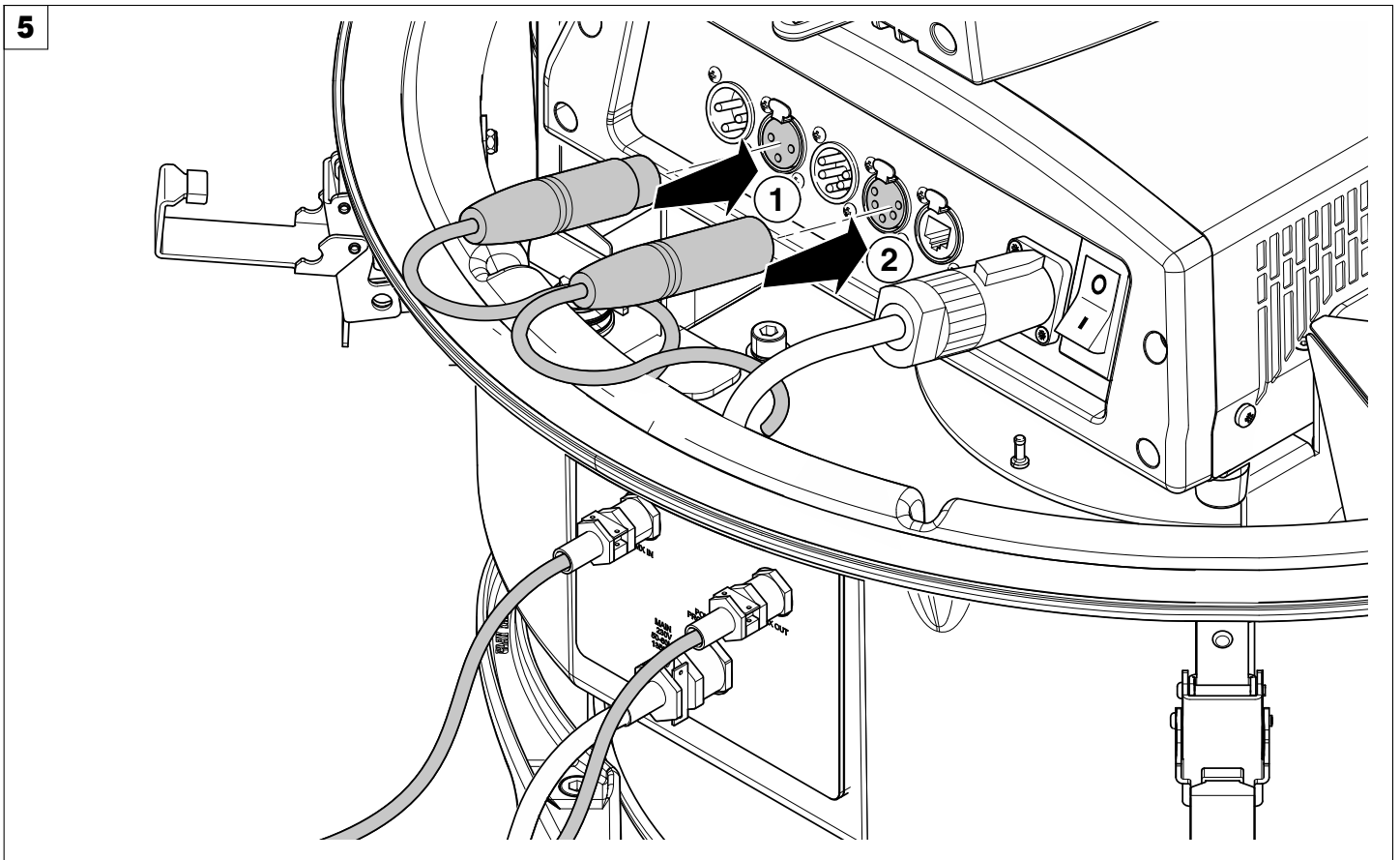
WARNING: Xtylos should be installed only in this way (refer to the image). Please pay attention to the DMX and Power wirings, they shouldn't get in contact with the thermistor.



XYTLOS positioning - Fig. 3

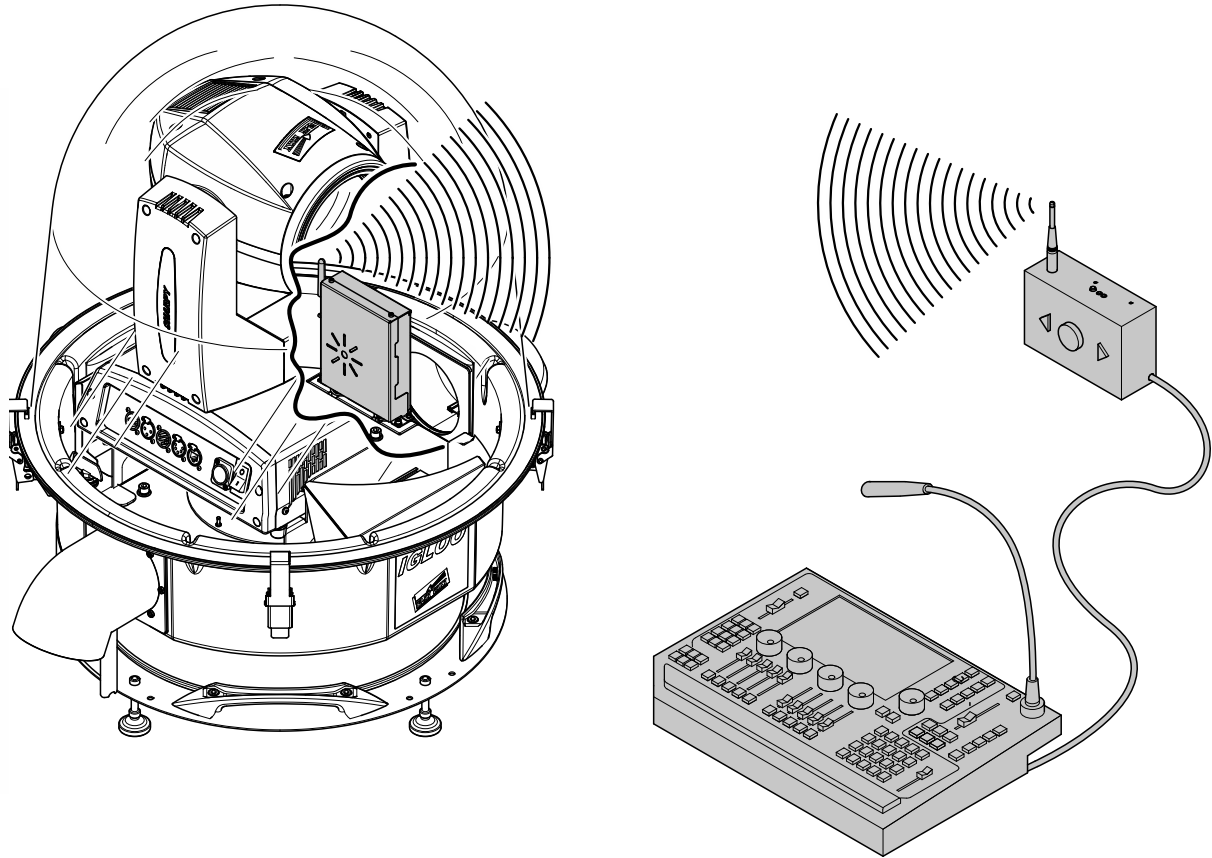


Connecting and disconnecting power cable- Fig. 4



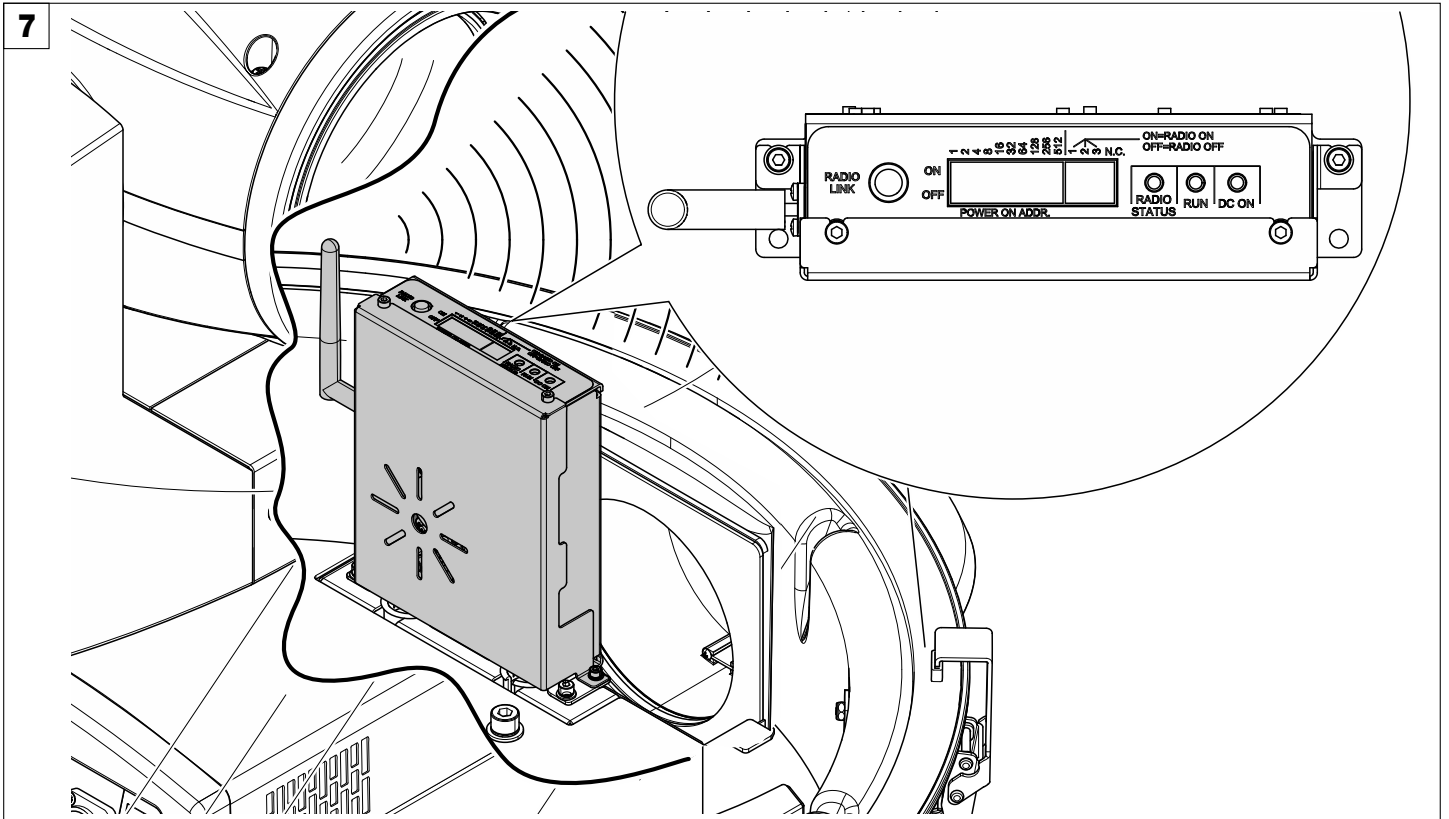
Connecting to the control signal line Igloo Easy (DMX) - Fig. 5

Use a cable conforming to specifications EIA RS-485: 2-pole twisted, shielded, 120Ohm characteristic impedance, 22-24 AWG, low capacity. Do not use microphone cable or other cable with characteristics differing from those specified. The end connections must be made using XLR type 3 or 5-pin male/female connectors. A terminating plug must be inserted into the last fixture into the Igloo with a resistance of 120Ohm (minimum 1/4 W) between terminals 2 and 3. **IMPORTANT: The wires must not make contact with each other or with the metal casing of the connectors. The casing itself must be connected to the shield braid and to pin 1 of the connectors.**



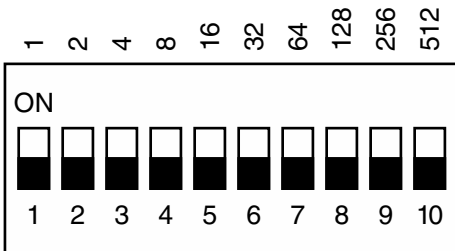
Wireless control - Fig. 6

The wireless control is only available in the IGLOO version (not EASY).



DIP SWITCH 1: DMX ADDRESS SETTINGS

The DMX address set on the Dip-switch 1, is the address to control the switching-on / switching-off of the device via the control unit.



Set dip-switches according to the required DMX address:

Example: **DMX 11** address settings

Turn dip-switches **1, 2, 4 ON**



BIT	STATUS
101-255	FIXTURE SWITCHED-ON
26-100	FIXTURE SWITCHED-OFF
0-25	NO FUNCTION

DIP-SWITCH 2: RECEIVING CONTROL MODE SETTINGS

Switch 1, 2, 3 ON:

Wireless operating mode (Radio)

Switch 1, 2, 3 OFF:

Wired operating mode (DMX cable)



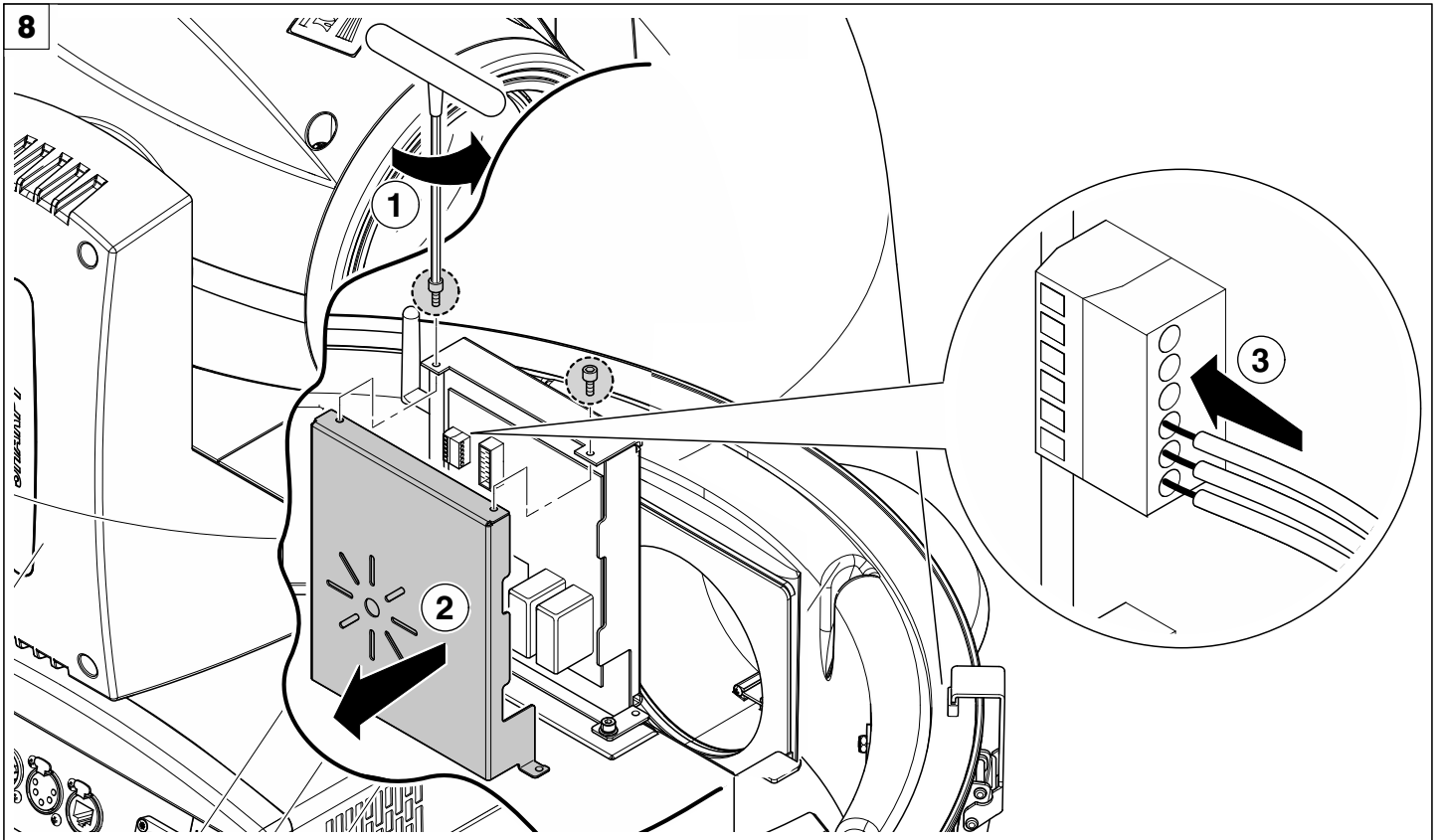
LED LANGUAGE

- GREEN LED ON: DMX board power on
- RED LED

On	Bootloader
Off	No DMX signal Relay OFF
Slow flashing	DMX signal found Relay OFF
Fast flashing	No DMX signal Relay ON
Mixed flashing	DMX signal found Relay ON

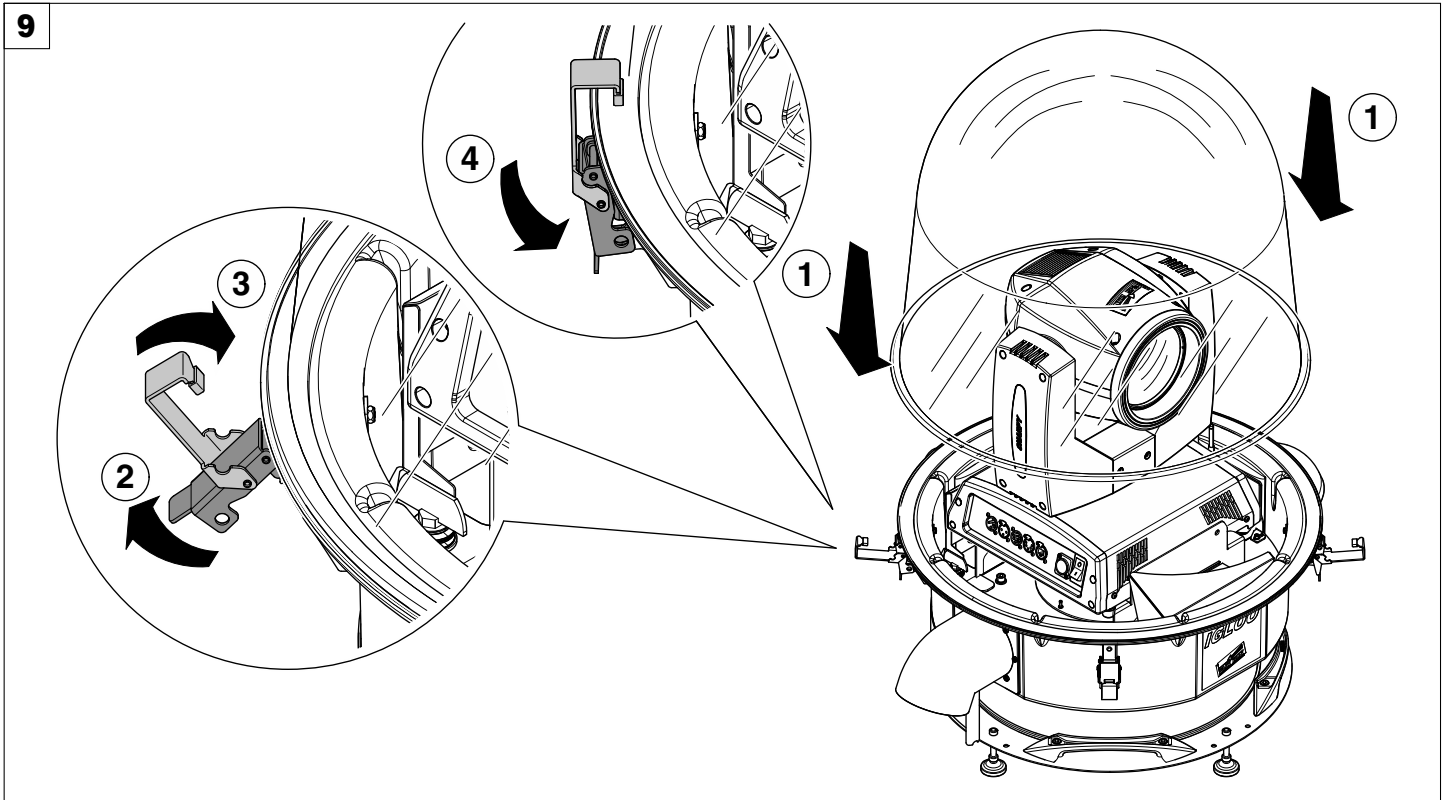
- YELLOW LED

Off	Not assigned to a transmitter
Mixed flashing	Assigned to a transmitter and no DMX signal
On	Assigned to a transmitter and DMX signal found
Fast flashing	link to transmitter lost or connecting to transmitter

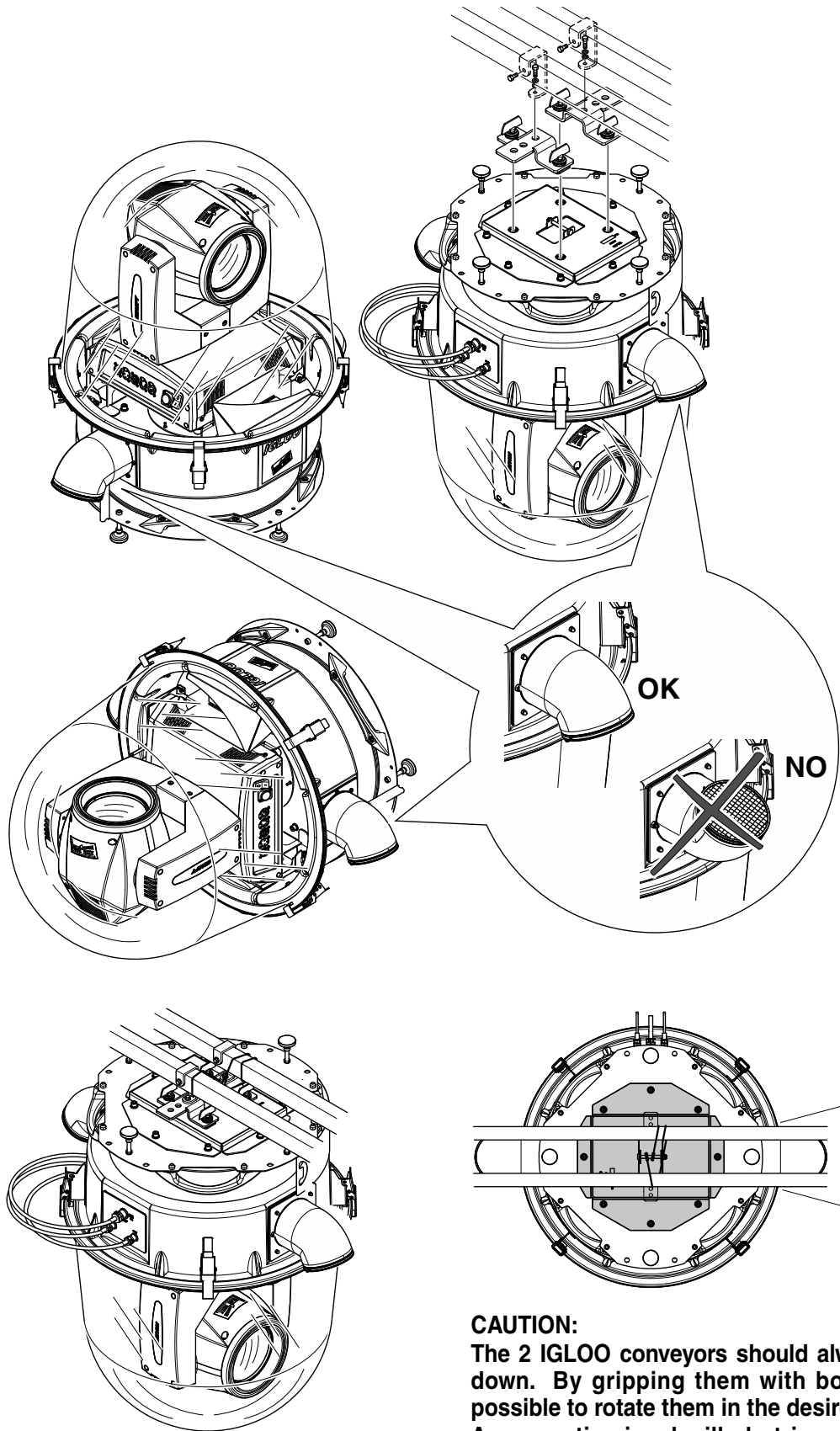


DMX connection cable for IGLOO (not EASY) - Fig. 8

PLEASE NOTE: If you do not intend to use the wireless option, the DMX cable must be connected as seen in fig.7 and not directly to the projector.



Closing the device - Fig. 9



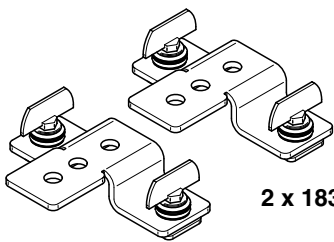
CAUTION:
 The 2 IGLOO conveyors should always be facing down. By gripping them with both hands it is possible to rotate them in the desired position. An acoustic signal will alert incorrect conveyor positions.

Installing Igloo - Fig. 10

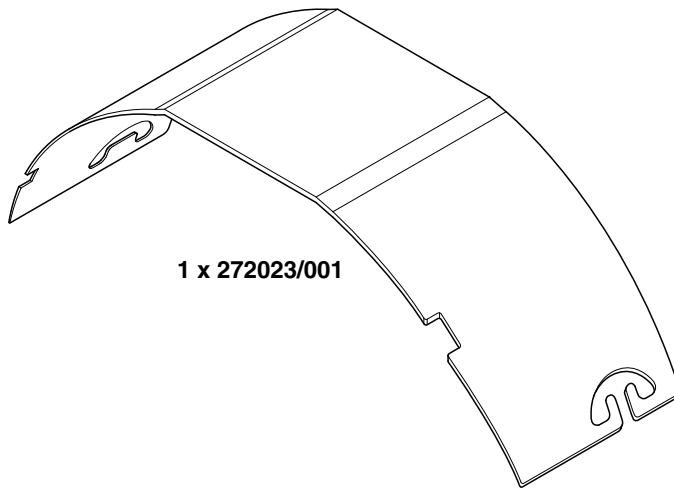
WARNING: with the exception of when the Igloo is positioned on the floor, the safety cable must be fitted. (Cod. 105041/003 available on request). This must be securely fixed to the support structure of the equipment and then connected to the fixing point at the centre of the base.

If the device is fixed to a wall, horizontally, mount the kit C61193 for proper and complete installation Fig.10.

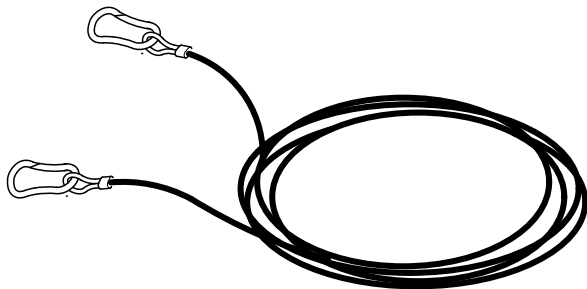
C61193 - OPTIONAL ACCESSORIES



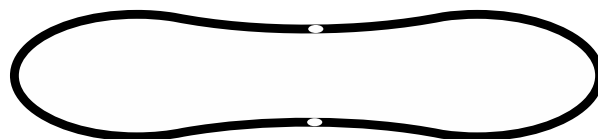
2 x 183102/805



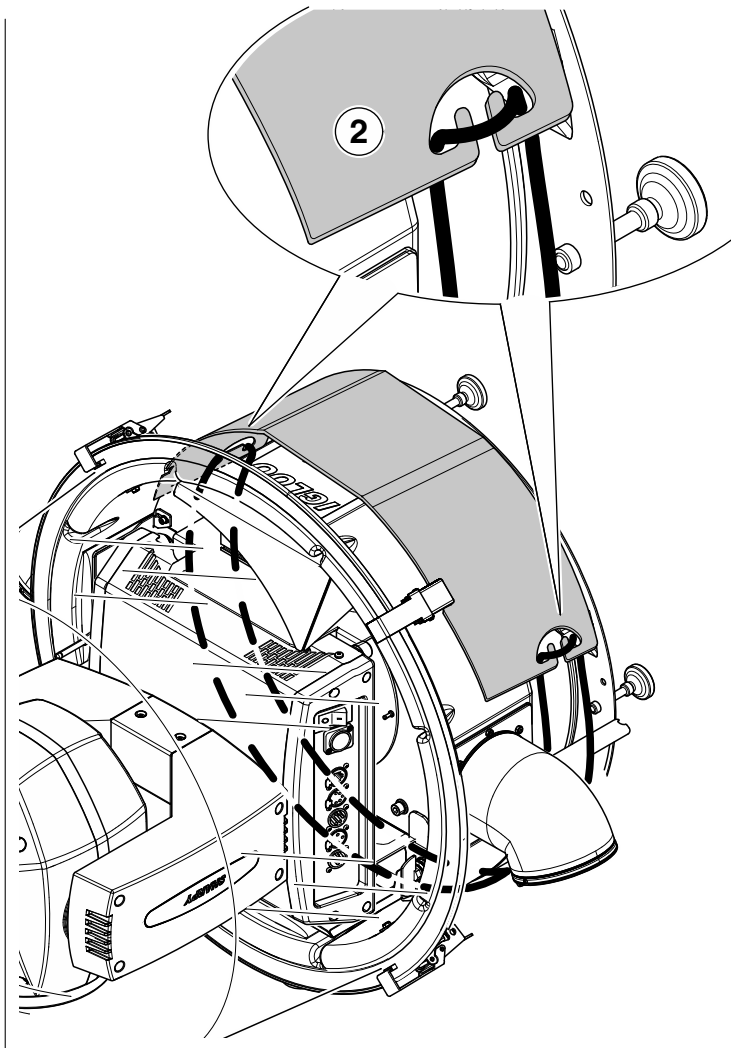
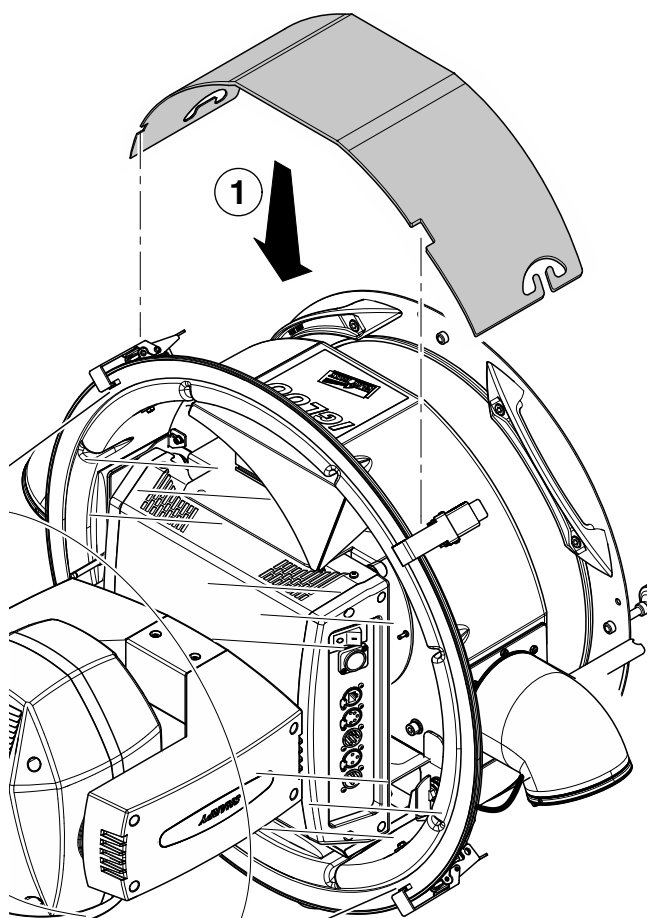
1 x 272023/001



1 x 105041/003

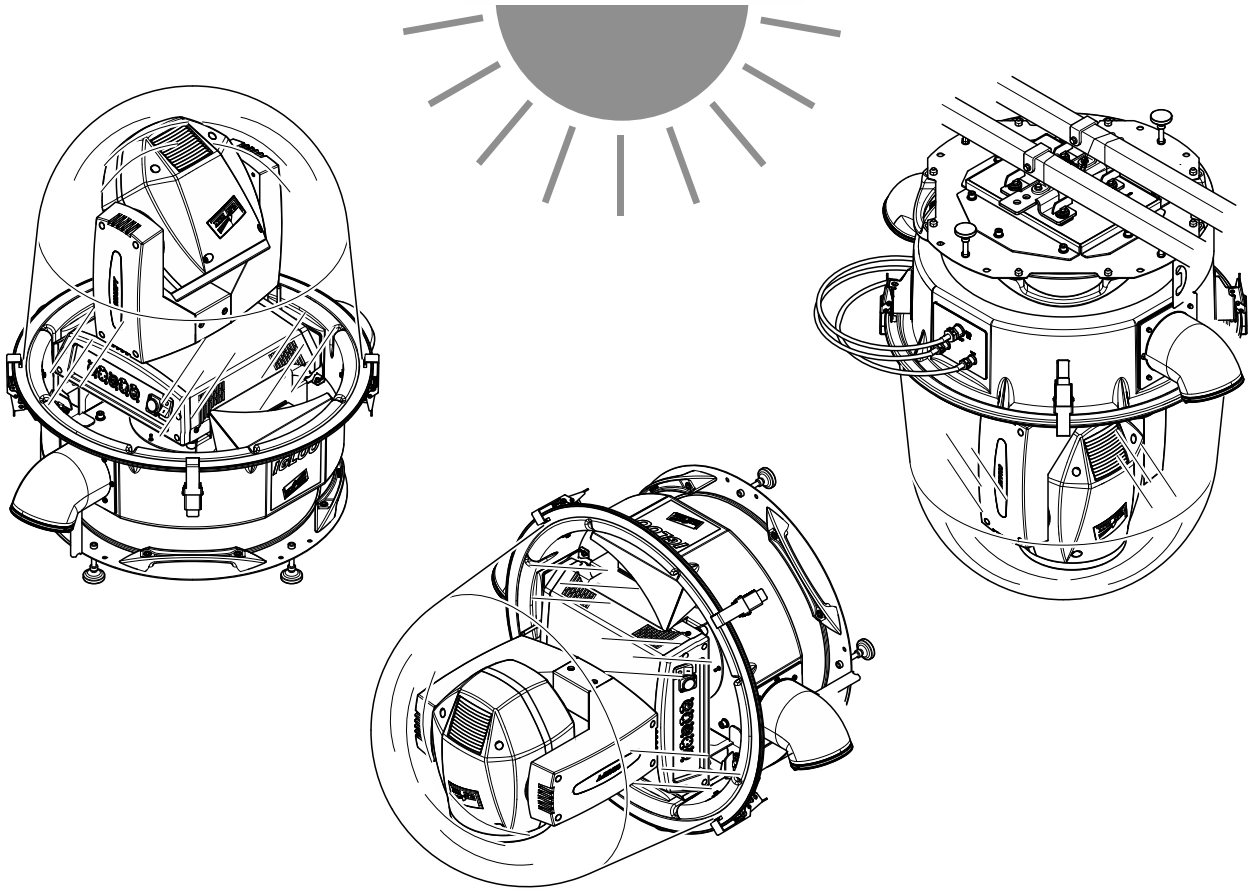


1 x 033205



Mounting kit C61193 - Fig. 11

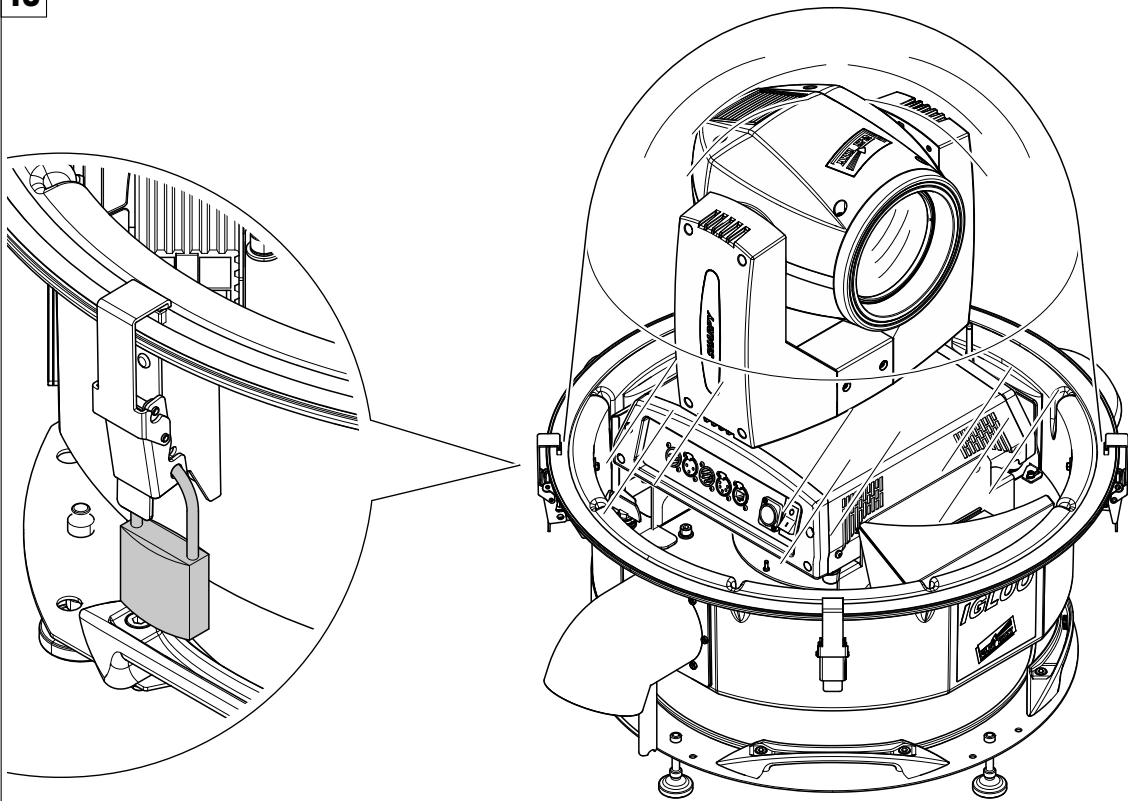
12



CAUTION:

To avoid damage to the internal parts of the fixture, installed inside the IGLoo, when the fixture is not working, is recommended to turn the head down before turning the fixture off, so that the front lens of the fixture is invested as little as possible from the sun.

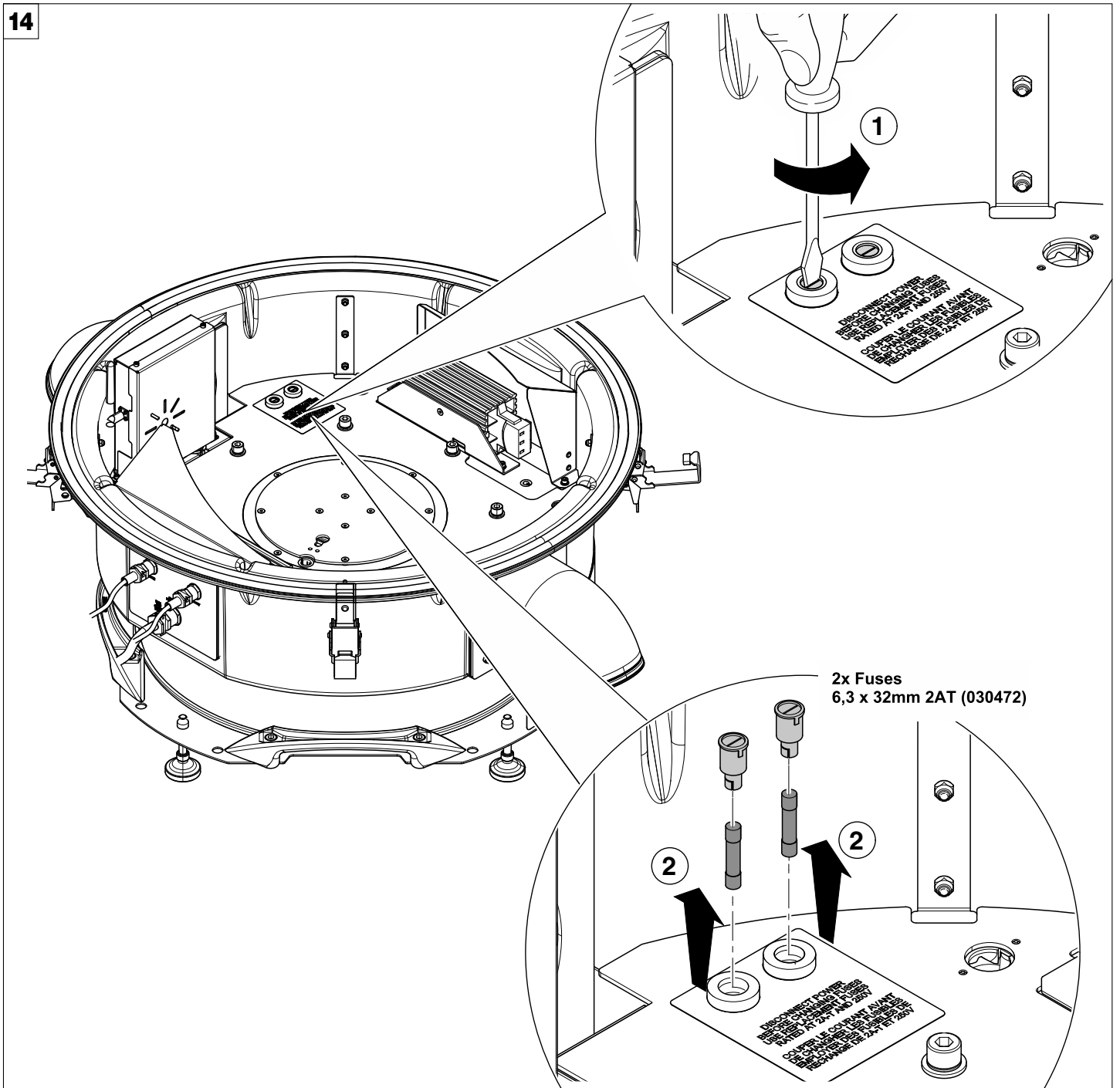
13



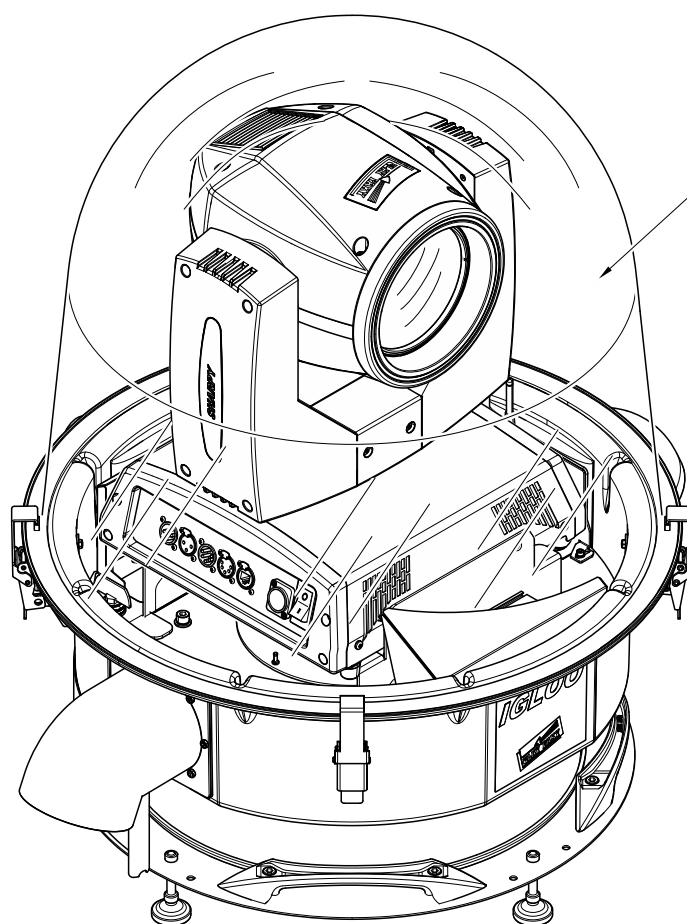
Lock assembly - Fig. 13

The device latches are fitted with holes for affixing safety locks if desired.

14



Replacing fuse - Fig. 14



WARNING:
no alcohol

Periodical cleaning - Fig. 15

To ensure optimal operation and performance for a long time it is essential to periodically clean the parts subject to dust and grease deposits. The frequency with which the following operations are to be carried out depends on various factors, such as the amount of the effects and the quality of the working environment (air humidity, presence of dust, salinity, etc.).

It is recommended that the equipment undergoes an annual service by a qualified technician for special maintenance involving at least the following operations:

- General cleaning of internal parts.
- General visual check of the internal components, cabling, mechanical parts, etc.
- Electrical and functional checks; eventual repairs.

Cleaning igloo cover

Clean the cover using only water and mild soap, using a sponge or soft and smooth cloth.

Do not use alkaline or abrasive detergents or halogenated or aromatic solvents such as toluene, benzene, petrol, acetone or carbon tetrachloride.

Do not clear in direct sunlight since it could stain.

TECHNICAL INFORMATION

POWER SUPPLIES

100-120V 50/60Hz
200-240V 50/60Hz

INPUT POWER

250VA a 230V 50Hz (Iglou)
Max 1450VA a 230V 50Hz (Projector)

CONTROL AND PROGRAMMING

Input: DMX 512 / wireless

BODY

Stainless steel structure with plastic pressure casting covers.
Four side handles for transportation.
IP54 protection rating (Protected against dust and Protected against splashing)

SAFETY DEVICES

Two 2AT fuses.
The projector placed in the igloo is also equipped with safety devices (see dedicated manual)
Cooling: Forced ventilation with fans.
Anti-condensation system
Pair of RTDs

WORKING POSITION

Functioning in any position

WEIGHT

about 30 Kg (66 lbs)

IP54 protection rating

- Protected against dust
- Protected against splashing

Note:

Carefully read the instruction manual, dedicated to the projector inside the Iglou, for additional technical details.

