



A75M

Universal Microphone Mount

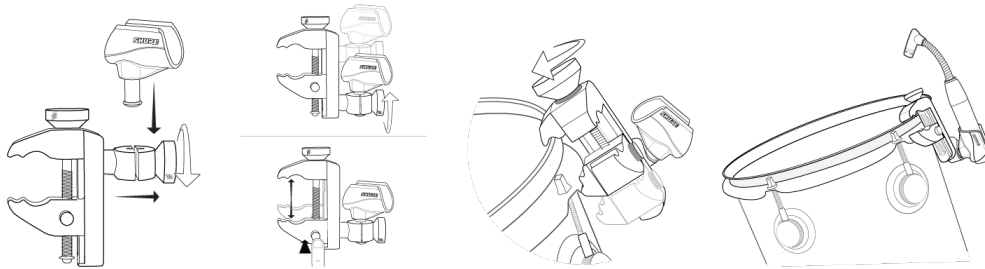
Shure online user guide for A75M universal microphone mount.
Version: 4.0 (2020-G)

Table of Contents

A75M Universal Microphone Mount	3	Example Mounting Techniques	3
General Description	3	Furnished Accessories	4
	3	Optional Accessories	5

A75M Universal Microphone Mount

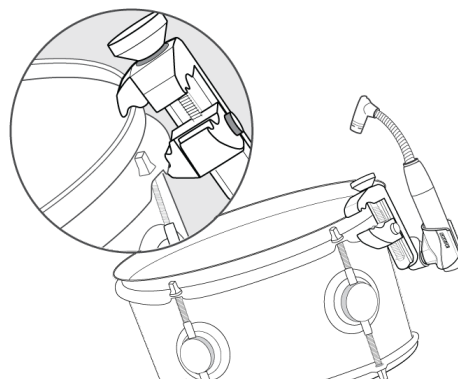
General Description

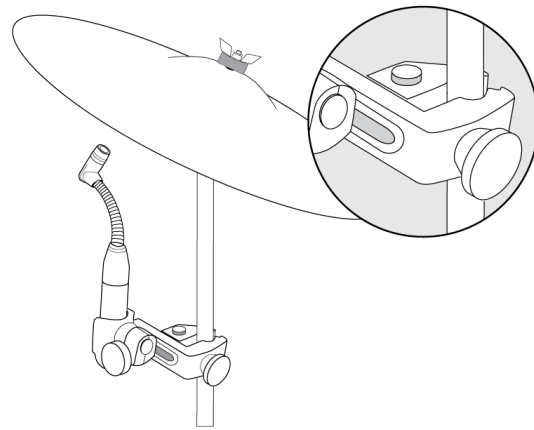
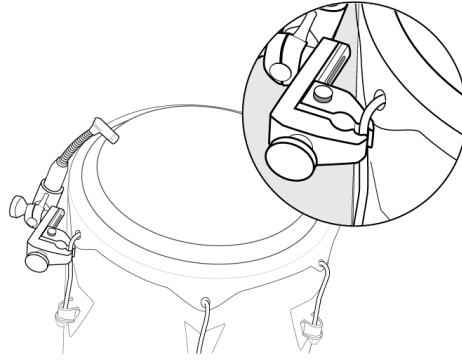


The Shure A75M Universal Microphone Mount secures microphones to a wide variety of surfaces and instrument hardware. Featuring a quick release, dual-jaw clamp and an assortment of microphone attachments, the A75M accommodates discreet placement in live performance and studio environments.

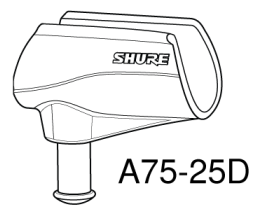
The clamp fits drum rims measuring 10 mm (0.4 in.) to 43.5 mm (1.7 in.) in height, or hardware measuring from 9 mm (0.35 in.) to 37 mm (1.45 in.) in diameter.

Example Mounting Techniques





Furnished Accessories



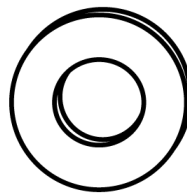
A75-25D



A75-57F

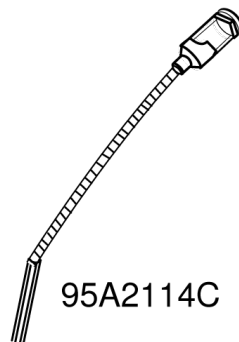


A75-UMA

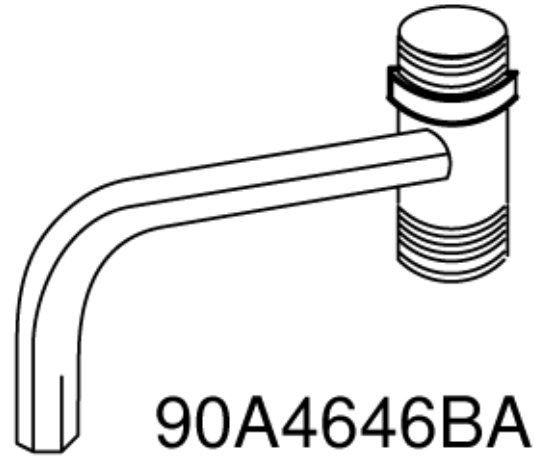


31B1857A

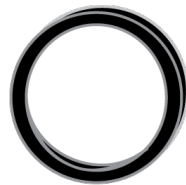
Optional Accessories



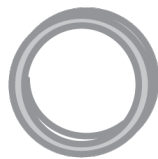
95A2114C



90A4646BA



31B1770



31A1770