



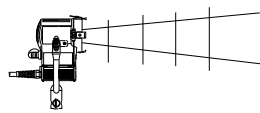
### Pollux 5000W

#### Features

- Powerful, lightweight 5000W Studio Fresnel
- Dual filament version available for 2.5kW/5kW or 1.25kW/2.5kW lamp
- Manual or pole-operated versions
- Manual version suitable for location lighting
- Stirrup fitted with 29mm spigot
- Rotary power switch fitted



#### Photometric Data



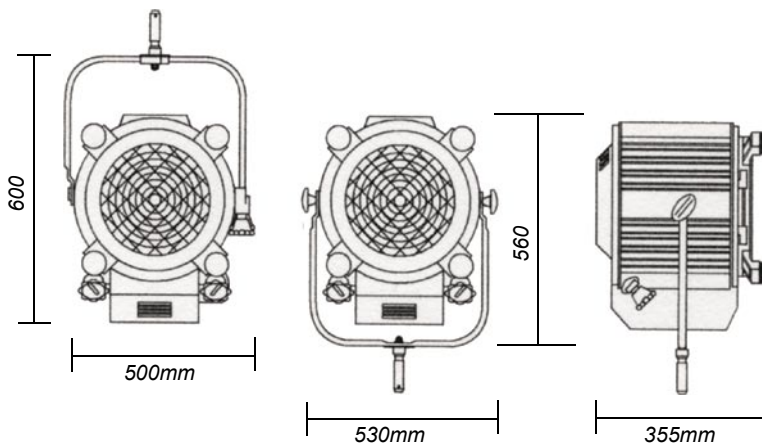
Typical performance based on CP29 5000W lamp

##### Spot (12.5°)

|            |      |      |      |
|------------|------|------|------|
| Throw (m)  | 15   | 20   | 25   |
| Beam Ø (m) | 3.28 | 4.38 | 5.47 |
| Lux        | 2377 | 1337 | 856  |

##### Flood (56.5°)

|            |      |      |      |      |
|------------|------|------|------|------|
| Throw (m)  | 10   | 15   | 20   | 25   |
| Beam Ø (m) | 10.7 | 16.1 | 21.5 | 26.8 |
| Lux        | 1010 | 448  | 252  | 162  |





### Introduction

This powerful, lightweight 5000W studio fresnel is available in both manual and pole operated versions. The Pollux manual version is also suitable for location lighting in film and television.

### Ordering Information

| Cat No | Description  | Accessories |  |
|--------|--|-------------|--|
| 26340  | Pollux 5kW MO supplied with barndoor, colour frame and stirrup with head mounted rotary switch with 7m cable BE, 29mm spigot   | 28074       | 4 leaf barndoor  |
|        |  | 28097       | colour frame   |
|        |  | 28307       | scrim set (one double scrim, one single scrim, one half double scrim, one half single scrim) |
| 26340E | Pollux 5kW MO Rental supplied with barndoor, colour frame and stirrup, without on/off switch, 1.5m cable, no spigot, 13mm hole | 82002       | safety bond, 50kg  |
|        |  | 82012       | hook clamp for 29mm spigot (50mmØ barrel)  |
| 26350  | Pollux 5kW PO supplied with barndoor, colour frame and stirrup, with head mounted rotary switch with 7m cable BE, 29mm spigot  | 82013       | hook clamp for 29mm spigot (30/50mmØ barrel, SWL 50kg)                                       |
| 26360  | Pollux 2.5/5kW MO  |             |  |
| 26370  | Pollux 2.5/5kW PO  |             |  |

### Operational Data

#### Pollux 2.5/5kW

|                          |                     |
|--------------------------|---------------------|
| Weight (head & stirrup)  | 16.5kg              |
| Packed weight            | 22.0kg              |
| Packed volume            | 0.159m <sup>3</sup> |
| Lens diameter            | 250mm               |
| Filter cut size diameter | 405mm               |
| Range                    | 11° to 62°          |

#### Pollux 5kW

|                          |                     |
|--------------------------|---------------------|
| Weight (head & stirrup)  | 16.5kg              |
| Packed weight            | 22.0kg              |
| Packed volume            | 0.159m <sup>3</sup> |
| Lens diameter            | 250mm               |
| Filter cut size diameter | 405mm               |
| Range                    | 12.5° to 56.5°      |

|          |                          |
|----------|--------------------------|
| Mounting | 29mm spigot (not 26340E) |
| Safety   | EN60 598 2-17            |

### Lamp Data

| Lamp code            | CP29    | CP32           | CP58                 |
|----------------------|---------|----------------|----------------------|
|                      | 5000W   | 2500/5000W     | 1250/2500W           |
| LCL (mm)             | 165     | 165            | 165                  |
| Base                 | G38     | GX38q          | GX38q                |
| Lumens               | 135,000 | 59,000/127,000 | 27,000/59,000/91,000 |
| Rated life hours (H) | 500     | 300            |                      |
| Colour temp. (K)     | 3200    | 3200           | 3200                 |

**Strand Lighting Limited**  
Mitchelston Industrial Estate,  
Kirkcaldy, Fife, KY1 3LY  
United Kingdom  
Tel: +44 (0)1592 656400  
Fax: +44 (0)1592 653528

**Strand Lighting Italia srl**  
Via delle Gardenie 33  
00040 Pomezia-Roma, Italy  
Tel: +39 06 919631  
Fax: +39 06 9147136

**Strand Lighting Asia**  
20/F Delta House, 3 On Yiu Street  
Shatin, N.T. Hong Kong  
Tel: + 852 2757 3033  
Fax: + 852 2757 1767

**Strand Lighting Limited**  
Unit 3, Hammersmith Studios,  
Yeldham Road, London, W6 8JF  
United Kingdom  
Tel: +44 (0)1592 656400  
Fax: +44 (0)20 8735 9799

**Strand Lighting GmbH**  
Kurfürstendamm 70  
10709 Berlin, Germany  
Tel: +49 30 707 9510  
Fax: +49 30 707 95199



The Company reserves the right to make any variation in design or construction to the equipment described. E&OE  
© Strand Lighting Ltd 2005  
Strand™, Strand Lighting™, Strand Quartzcolor™ are trademarks of Strand Lighting Limited and Strand Lighting Inc.