



Q·10

RGBW color LED flood blinder strobe



Description

The SGM Q-10 is a unique and extremely powerful all-in-one LED luminaire. It carries the functionalities of a strobe light, a flood light, a pixel light, and a blinder with a non-fading continuous output, making it the perfect multi-purpose LED fixture. It features a wide native beam angle that can be modified by using different barndoors accessories.

Features and benefits

- ✓ 59878 lumen 110° IP65-rated RGBW LED luminaire
- ✓ 2,048 RGB SMD LEDs and 2,048 white SMD LEDs with 8 individually controllable segments
- ✓ Powerful strobe effect with very fast feedback and wide coverage
- ✓ No color shifts / flicker-free operation
- ✓ CTC linear control from 2000K - 10000K
- ✓ 4-way and 8-way barndoors as accessories
- ✓ Practically maintenance-free
- ✓ User friendly display, wireless control, and integrated handle

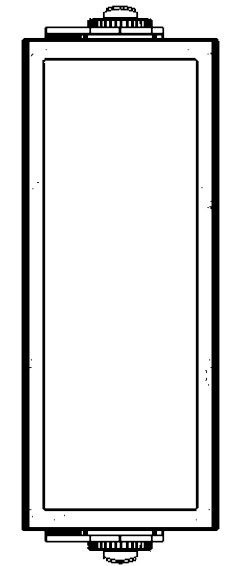
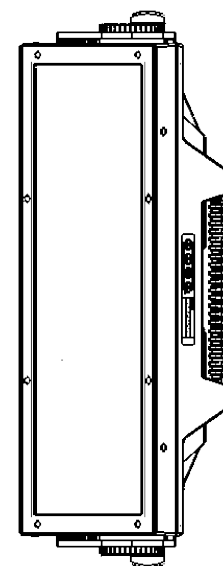
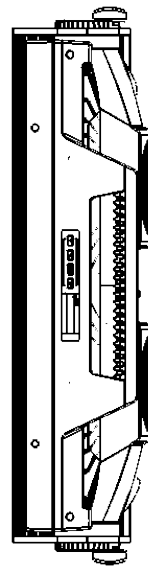
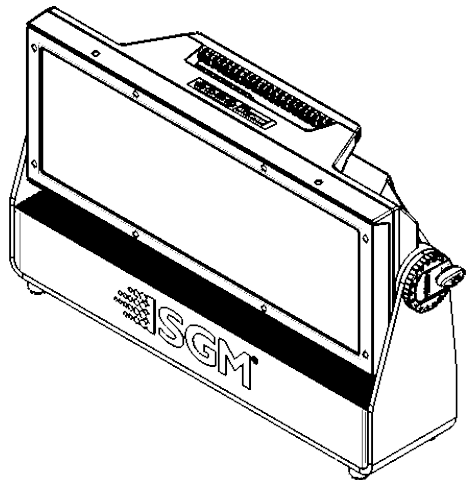
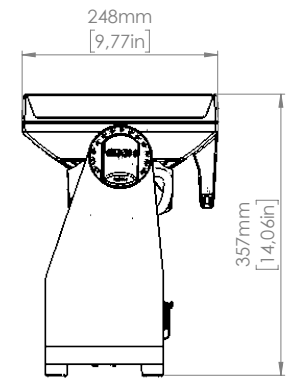
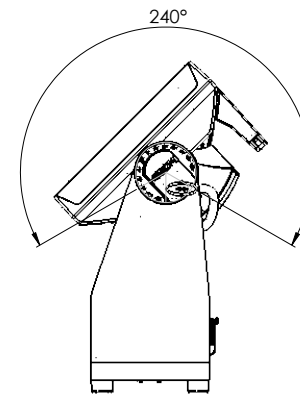
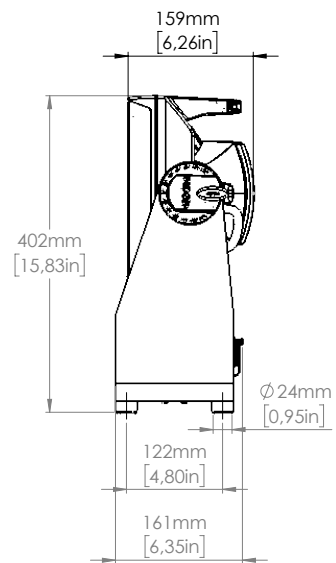
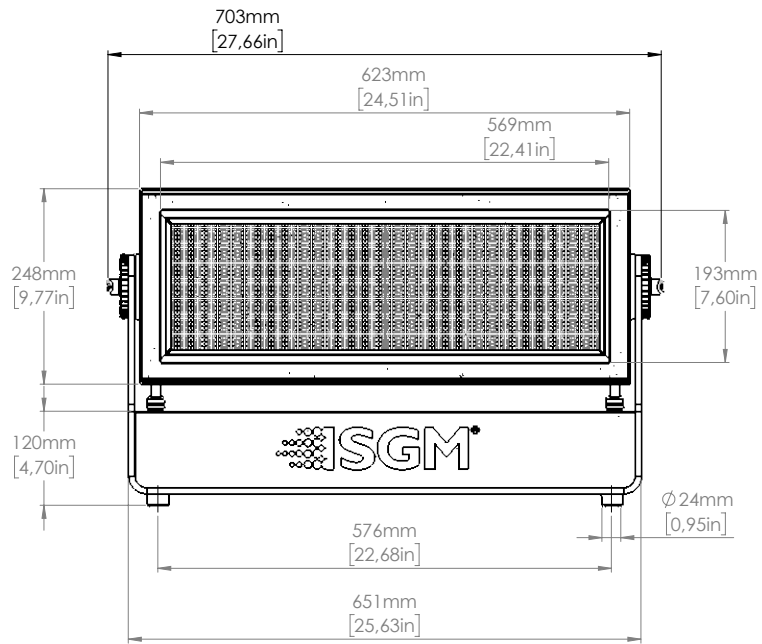
Certifications & classifications

IP65

RoHS

CE





Specification

Optical Data	LED expected lifetime	50,000 hours
	Lens	110° fixed
	Lightsources	2,048 x RGB SMD LEDs & 2,048 x white SMD LEDs (5,700K)
Photometric	Beam angle(s)	105° (with 110° lens)
	Color temperature range	2000K - 10000K
	CRI typical	83
	Efficacy	50 lm/W
	Light output all LEDs on	59878 lm
	Light output blue	2998 lm
	Light output green	15951 lm
	Light output red	5829 lm
	Lux @ 10m	233 lux
	Lux @ 3m	2593 lux
	Lux @ 5m	934 lux
	Maximum Field Angle	146 °
Physical	Color options	Black - RAL 9004 Custom color - Any RAL White - RAL 9010
	IP class	IP65
	Material	Aluminium PC/ASA Plastic Rubber Steel
	Net dimensions	702 x 402 x 206 mm
	Net dimensions inches	27.7 x 15.8 x 8.1 inches
	Net weight	19.8 kg (43.7 lbs)
Features	Dehumidifier	Base / Head
	Dimming	Electronic
	LED panel	8 individually controllable segments
	Strobe	Ultra-high-speed strobe effects
	Tilt	0 - 190°
	Tilt Locking System	Locking system with angle indicator
Electrical	AC power, max.	90 - 305V 50/60Hz
	AC Power, nominal	100 - 277V 50/60Hz

	Electrical Protection	Overload protection with automatic recover
	Max Inrush Current	110 A
	Max power consumption	1250 W
	Power factor	0.99 PF (230 V)
	Power Supply Unit	Auto-ranging electronic switch-mode
	Standby power consumption	39 W
	Typical power consumption	1000 W
Programming and Control	16-bit control	Dimmer, Red, Green, Blue
	Cabled DMX	5 pin XLR input/output
	DMX channels	6, 8, 10, 27 or 30
	DMX modes	7
	Protocol	CRMX, W-DMX™ G2, W-DMX™ G3, W-DMX™ G4, W-DMX™ G4S USITT DMX512A RDM ANSI E1.20
	Setting and addressing	OLED graphical display / 4 buttons RDM ANSI E1.20 Standalone mode
	Standalone mode	Quick Color Up to 24 programmable scenes
	Wireless DMX	Lumen Radio with RDM
Connections	DMX data in/out	IP65 XLR 5-pin connector, Female IP65 XLR 5-pin connector, Male
	Power	Power input connector & link-thru
Installation	Mounting point	3 x two quarter-turn locking points for two or three Omega Brackets
	Orientation	Any
	Rigging possibilities	Hanging (Omega Brackets included)
	Safety features	2 attachment points for safety wire Minimum distance to combustible materials: 0.3 meter (11 in).
Thermal	Cooling	Active, Forced Air, Temperature-regulated
	Humidity (max.)	98 %
	Temperature range, Operating	-40°C to 50°C
	Temperature range, Start-up	-20°C to 50°C
	Temperature range, Storage	-40°C to 80°C
	Thermal Protection	Automatic overtemperature protection
Included items	Included items	2 Omega bracket with quarter-turn fasteners

2 m power cable
Safety instructions and installation
quick guide

Conforms To	CE - 2014/30/EU: EMC Directive	EN 55103-1 EN 55103-2 EN 55015 EN 61547 EN 61000-3-2 EN 61000-3-3
	CE - 2014/35/EU: Low Voltage Directive	EN 60598-1 EN 60598-2-17 EN 62471 EN 60529
	RoHS2 Directive UL	2011/65/EU UL Std. 1573

Certified To	CSA	CSA-E598-2-17-98, Ed: 1 CSA E60598-1, Ed: 3
---------------------	-----	--

NOTES:

Due to continuous improvements and innovations, specifications may change without notice.

LEDs' expected lifetime provided by manufacturer and obtained under manufacturer's test conditions.

Zoom range defined as a minimum beam angle to a maximum field angle.

Photometric measurements obtained with Goniometer Scan / SGM Illumination Lab 1.6.0.0.

Lumen output in pixel products is calculated.

Ordering information

Qty	Product name	Item number
<input type="checkbox"/>	Q-10, Std, BL	80033100
<input type="checkbox"/>		
	Accessories	Item number
<input type="checkbox"/>	Omega Bracket with 1/4-turn fasteners	83060602
<input type="checkbox"/>	Power cable with IP connector	07860275
<input type="checkbox"/>	SGM USB uploader cable	83062011
<input type="checkbox"/>	Vacuum Test Kit	83061136
<input type="checkbox"/>	A-4	80070217
<input type="checkbox"/>	Filter frame for P·10 - elliptical horizontal wide angle	83061158
<input type="checkbox"/>	Filter frame for P·10 - elliptical vertical wide angle	83061159
<input type="checkbox"/>	Filter frame for P·10 - medium angle	83061156
<input type="checkbox"/>	Filter frame for P·10 - wide angle	83061157
<input type="checkbox"/>	4-way Barndoors for P·10, Q·10	83061152
<input type="checkbox"/>	RDM Addressing Tool	
<input type="checkbox"/>	Filter frame for P·10 - optional filters	83061160
<input type="checkbox"/>	Flight Case for 2 pcs of Q·10 incl. accessories	82051506
<input type="checkbox"/>		



Headquarter [+45 70 20 74 00](tel:+4570207400)

Mail info@sgmlight.com

Website sgmlight.com