



# DIVE 6 FC

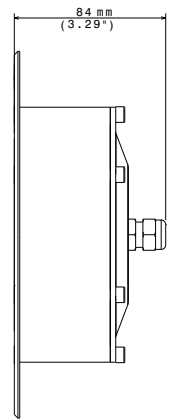
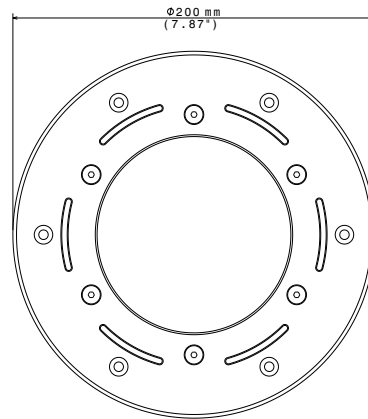
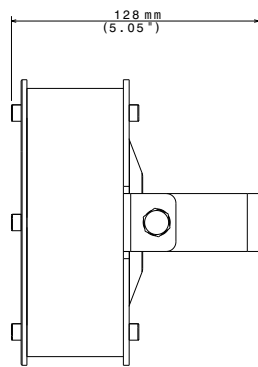
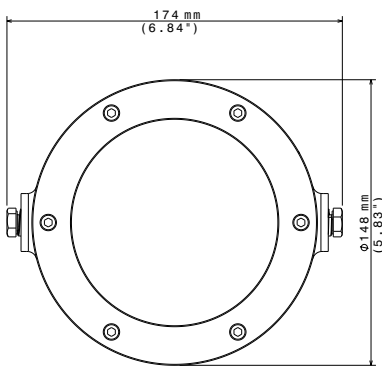
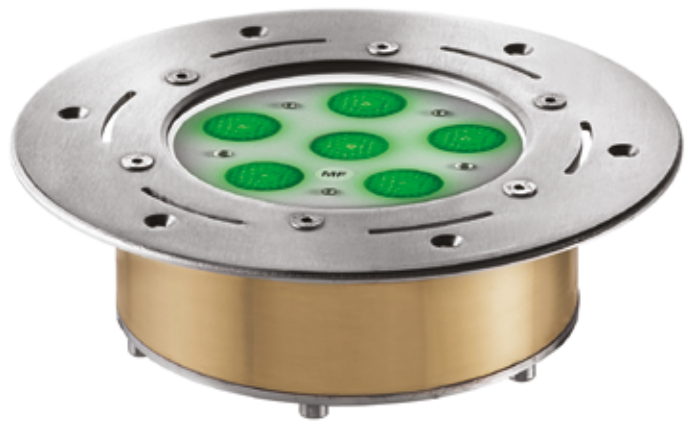
**EXTRA-BRIGHT: PERFECT FOR MEDIUM UNDERWATER APPLICATIONS**

DIVE 6 FC is an IP68 underwater projector with 6 Full Color LEDs. The unit is fitted with an **adjustable bracket** or a **round flange** for recessed installation and it features a reinforced structure that makes it reliable for long-term use. The unit is available with **different optics** and it is **suitable for medium underwater applications** or for use outside water. The unit has been developed to work where safety regulations request **24 V DC max voltage, such as swimming pools or public areas**. The unit is powered by DRIVENET 1664 or DRIVENET 832 24 V DC power supplies. Refer to local norms in case of underwater installation.

DIVE 6 FC



DIVE 6 R FC



SPLENS 10°  
Bracket 03.LPB004E99FC10  
Recessed 03.LPS004E99FC10

MF LENS 22°  
Bracket 03.LPB004E99FC25  
Recessed 03.LPS004E99FC25

WF LENS 40°  
Bracket 03.LPB004E99FC40  
Recessed 03.LPS004E99FC40

## OUTPUT

- 6 Full Color (RGBW) LEDs
- Lumens: 3,320 @ 700mA
- LED lifespan: 50,000 hours (70% lumen output)

## OPTICAL GROUP

3 lenses sets available:  
10° / 22° / 40°

## COLOR GENERATION

- 16 million colors
- Wide palette of pure uniform whites with variable linear color temperature (2700K - 8000K)

## POWER SUPPLY

- External PSU:
  - DRIVENET 28C DIN @24Vdc
  - DRIVENET 832 24Vdc (Full range 100-240Vac 50-60Hz)
  - DRIVENET 1664 24Vdc (Full range 100-240Vac 50-60Hz)

- Power consumption: 60 W max

## CONNECTIONS

End-stripped 8-pole cable (5 m)

## OPERATING TEMPERATURE

-20° / 40° C

## PHYSICAL

- IP68 (max immersion depth: 2 m)
- IK protection degree: IK09 (only R version)

## Housing:

- Bronze / 316 Stainless steel
- Weight: 3.9 Kg (8.6 lbs)

## SHIPPING

- Packaging: Carton box
- Box size (LxHxD): 280 x 180 x 270 mm (11" x 7.1" x 10.6")
- Weight: 4.4 Kg (9.7 lbs)

## CONNECTIONS CHART

DRIVENET 28C DIN @24Vdc	DRIVENET 832 24Vdc	DRIVENET 1664 24Vdc
Max 2 (1 item per output)	Max 8 (1 item per output)	Max 16 (1 item per output)

## ACCESSORIES ON REQUEST

- HUB-IP20 Screw terminals 1 IN / 3 OUT (code 03.LA.131)
- HUB-IP56 Screw terminals 1 IN / 3 OUT (code 03.LA.131.IP56)
- 8-pole underwater cable (code 0509C159)

## ONLY FOR DIVE 6 FC

- TOP HAT Length 10 cm (code 03.LA.151.04)

## ONLY FOR DIVE 6 R FC

- OUTERCASE Stay-in-place casting form (code 03.LA.078)

## PHOTOMETRIC DATA

LEDs current 700mA

	mt 1 ft 3.28	mt 2 ft 6.56	mt 3 ft 9.84	mt 4 ft 13.12	mt 5 ft 16.40
<b>BEAM ANGLE 10°</b>					
lux center (lx)	29578	7395	3286	1849	1183
foot candles (fc)	2749	687	305	172	110
diameter (cm)	17	35	52	70	87
diameter (ft)	0.57	1.15	1.72	2.30	2.87
<b>BEAM ANGLE 22°</b>					
lux center (lx)	7455	1864	828	466	298
foot candles (fc)	693	173	77	43	28
diameter (cm)	39	78	117	156	194
diameter (ft)	1.28	2.55	3.83	5.10	6.38
<b>BEAM ANGLE 40°</b>					
lux center (lx)	5020	1255	558	314	201
foot candles (fc)	467	117	52	29	19
diameter (cm)	73	146	218	291	364
diameter (ft)	2.39	4.78	7.16	9.55	11.94