



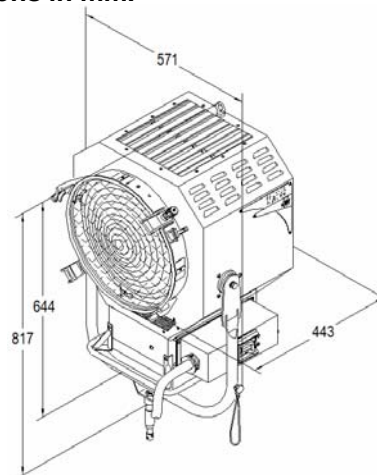
## FEATURES

- Compact, highly efficient Fresnel lens spotlight using tungsten-quartz-halogen filament lamps having G38 socket, L.C.L. of 254 mm., typically 10 kW and max. 12 kW power.
- 350 mm. diameter high quality, shock resistant Borosilicate glass Fresnel lens on spring supports.
- Rugged and Lightweight Carbon Steel housing with low glare black epoxy powder coating, with internal double walls and reinforces.
- High efficiency convection cooling.
- Heavy-duty G-38 bi-post socket for tungsten halogen lamps, with lever activation and special contacts for homogeneous current distribution over lamp's pins.
- Special bimetallic clad aluminum reflector for high degree of reflectivity and thermal resistance for long life.
- Stainless steel cable driven focus mechanism which guides Teflon bushings supported lamp carriage along 2 rods. This ensures smooth operation, and restricts bouncing or chattering of the lamp carriage during focusing, in any tilting position of the fixture, avoiding lamp failures during operation. The Teflon bushings also provide a wiping action, which cleans the guide rails during focus. The focusing mechanism allows for the whole spot to flood action with 1 and half turn of the focusing knob.
- The unit is equipped with a hinged lens door with wire-guard for easy access to the lamp, it includes accessory holding brackets, which can be positioned in two different arrangements (vertical-horizontal or diagonal). One of the 4 brackets has a locking knob and is spring loaded, it can be locked to either safely hold barndoor, color frame and scrims or to be rotated 90° and locked in an open position for fast accessories changes. A double safety accessory bracket with spring loaded catch is available on request to be assembled opposite to the locking knob.
- The accessories are secure regardless of the orientation of the fixture. Accessories have been designed for one hand installation.
- Available with either positive lock manual yokes for comfort and ease of handling, or pole operated yokes which can be used via the lighting pole for Panning and Tilting the lights as well as manually, since the mechanical activators are equipped with clutches. It is possible the conversion between the two types.

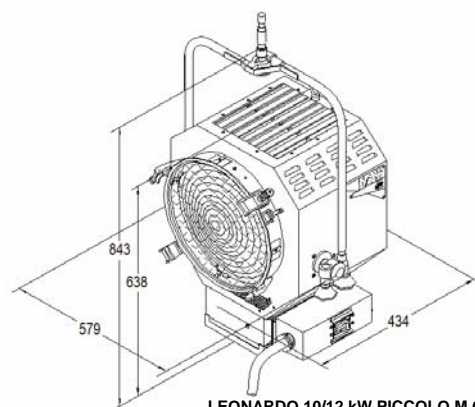
# CHARACTERISTICS & PERFORMANCE DATA

DESCRIPTION	VALUE			
Amperage	Europe - 230 V		America - 120 V	
	52,2 A (12.000 W) 43,5 A (10.000 W)		100 A (12.000 W) 83,4 A (10.000 W)	
Power supply	Europe		America	
	230 V / 0-60 Hz		120 V / 0-60 Hz	
Switch on the fixture	M.O. 230 V Toggle 60 A	M.O. 230 V Toggle 125 A	Studio MOPO	
	P.O. 230V Toggle 60 A	P.O. 230V Toggle 125 A	No Switch	
Lamp Holder	Standard Version G38 Lever Type			
Power Cable	Europe		America	
	3 x 10 mm <sup>2</sup> H07RN-F 90°C		3 x 2 AWG TYPE SO 90°C	
Protection Class	Class 1- ground connection required			
Protection Type	IP 22			
Max. Housing Surface Temperature	240° C			
Weight of Fixture	M.O. 230 V	M.O. 120 V	P.O. 230 V	P.O. 120 V
	26,5 kg	27,5 kg	27,8 kg	28,8 kg
Weight of Barndoor	4 leaf		8 leaf	
	1,85 kg.		2,1 kg.	
Size of Barndoor ring	Seat Diameter		Ring Diameter	
	402 mm.		399 mm. (≅15" <sup>3</sup> / <sub>4</sub> )	
Weight of color frame	0,5 kg.			
Size of scrims & color frame	Seat Diameter		Accessory Diameter	
	395 mm		393 mm (≅15" <sup>1</sup> / <sub>2</sub> )	
Lens diameter	350 mm.			

## Dimensions in mm.



LEONARDO 10/12 kW PICCOLO M.O.



LEONARDO 10/12 kW PICCOLO M.O.

## USABLE LAMPS

### ELECTRICAL VALUES AND CODES

base-Watt-Fig.	230 V		120 V	
	ANSI	LIF	ANSI	LIF
G38 - 10.000 - 25	ECR	CP 83	DTY	NOT AVAILABLE
	GE CODE		GE CODE	
G38 - 12.000 - 26	Q12MT26/4CL 230V or 240V - to specify on order		Q12MT26/4CL 120V - to specify on order	

### MECHANICAL DIMENSIONS

WATTS	VOLTAGES	LCL (mm.)	MOL (mm.)
10.000	120-230-240	254	405

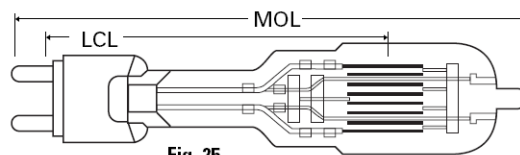


Fig. 25

WATTS	VOLTAGE	LCL (mm.)	MOL (mm.)
12.000	120-230-240	254	410

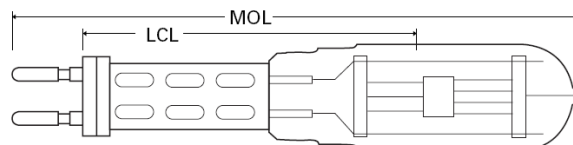


Fig. 26

## WORKING CONDITIONS

Max allowed working position lighting fixture	Max. Tilting of fixture $\pm 60^\circ$ from horizontal (see allowed max. tilt for types of lamps)			
Max allowed working position lamps	MAX TILT ALLOWED FOR 10.000W LAMPS (ANY ANGLE IS STARTING FROM BASE DOWN)		MAX TILT ALLOWED FOR 12.000W LAMPS (ANY ANGLE IS STARTING FROM BASE DOWN)	
	120 V	$\pm 60^\circ$	120 V	$\pm 60^\circ$
	230 V	$\pm 60^\circ$	230 V	$\pm 45^\circ$
Ambient Temperature, t <sub>a</sub>	+45° C Max			
Minimum distances from inflammable surfaces	Top 0,75 m.	Back 0,3 m.	Sides 0,2 m.	Front 3,5 m.

# PHOTOMETRIC DATA

PHOTOMETRIC DATA LEONARDO 10/12 kW PICCOLO						
Values measured with: CP 83 (10 kW) and FUJI 12 kW Lamp - 230 V, 350 mm. $\Phi$ Fresnel Lens						
METERS						
TYPICAL DISTANCES		6 mt	12 mt	18 mt	24 mt	
LIGHT CENTER VALUES		Candle Power		LUX		
SPOT	10 kW	850.700	18.075	4.519	2.008	1.130
	12 kW	707.700	19.658	4.915	2.184	1.229
FLOOD	10 kW	291.200	8.089	2.022	899	506
	12 kW	350.700	9.742	2.435	1.082	609
LUX AT ANY DISTANCE = Candle Power : [Distance(in m.)] <sup>2</sup>						
BEAM ANGLE (50% of center value):		BEAM DIAMETER in meters				
SPOT	17,0°	1,8 mt	3,6 mt	5,4 mt	7,2 mt	
FLOOD	39,0°	4,2 mt	8,5 mt	12,7 mt	17,0 mt	
FIELD ANGLE (10% of center value):		BEAM DIAMETER in meters				
SPOT	30,0°	3,2 mt	6,4 mt	9,6 mt	12,9 mt	
FLOOD	55,0°	6,2 mt	12,5 mt	18,7 mt	25,0 mt	

PHOTOMETRIC DATA LEONARDO 10/12 kW PICCOLO						
Values measured with: CP 83 (10 kW) and FUJI 12 kW Lamp - 230 V, 350 mm. $\Phi$ Fresnel Lens						
FEET						
TYPICAL DISTANCES		20'	40'	60'	80'	
LIGHT CENTER VALUES		Candle Power		FOOTCANDLES		
SPOT	10 kW	850.700	1.627	407	181	102
	12 kW	707.700	1.789	442	197	111
FLOOD	10 kW	291.200	728	182	81	46
	12 kW	350.700	877	219	97	55
F.C. AT ANY DISTANCE = Candle Power : [Distance(in ft)] <sup>2</sup>						
BEAM ANGLE (50% of center value):		BEAM DIAMETER in feet				
SPOT	17,0°	6,0'	12,0'	17,9'	23,9'	
FLOOD	39,0°	14,2'	28,3'	42,5'	56,7'	
FIELD ANGLE (10% of center value):		BEAM DIAMETER in feet				
SPOT	30,0°	10,7'	21,4'	32,2'	42,9'	
FLOOD	55,0°	20,8'	41,6'	62,5'	83,3'	

## LEONARDO 10-12 kW PICCOLO VERSIONS & MODEL NUMBERS

### MOD. DESCRIPTION

#### 230V - 240V versions

<b>480.110</b>	<b>LEONARDO PICCOLO 10/12 kW M.O.,</b> Fresnel Spotlight including: Lens door with diagonally mounted ears , 350 mm. Fresnel lens - 5 mt. power cable - 60A toggle switch - G38 lamp holder - wire guard <b>Mod. 395.100</b> - 4 leaf barndoor <b>Mod. 356.110</b> - colour frame <b>Mod. 357.100</b> - M.O. stirrup <b>Mod. 480.110.40</b>
<b>481.110</b>	<b>LEONARDO PICCOLO 10/12 kW P.O.,</b> Fresnel Spotlight including: Lens door with diagonally mounted ears - 350 mm. Fresnel lens - 3 mt. power cable - 60A toggle switch - G38 lamp holder - wire guard <b>Mod. 395.100</b> - 4 leaf barndoor <b>Mod. 356.110</b> - colour frame <b>Mod. 357.100</b> - P.O. stirrup <b>Mod. 481.110.40</b>

#### 120V versions

<b>480.210</b>	<b>LEONARDO PICCOLO 10/12 kW M.O.,</b> Fresnel Spotlight including: Lens door with diagonally mounted ears - 350 mm. Fresnel lens - 2 mt. Cable - 125A toggle switch - G38 lamp holder - wire guard <b>Mod. 395.100</b> - 4 leaf barndoor <b>Mod. 356.100</b> - colour frame <b>Mod. 357.100</b> - M.O. stirrup <b>Mod. 480.110.40</b>
<b>480.220</b>	<b>LEONARDO PICCOLO 10/12 kW M.O.,</b> Fresnel Spotlight including: Lens door with diagonally mounted ears, 350 mm. Fresnel lens - 2 mt. cable - no switch - G38 lamp holder - wire guard <b>Mod. 395.100</b> - 4 leaf barndoor <b>Mod. 356.100</b> - colour frame <b>Mod. 357.100</b> - M.O. stirrup <b>Mod. 480.110.40</b>
<b>481.220</b>	<b>LEONARDO PICCOLO 10/12 kW P.O.,</b> Fresnel Spotlight including: Lens door with diagonally mounted ears - 350 mm. Fresnel lens - 2 mt. cable - 125A toggle switch - G38 lamp holder - wire guard <b>Mod. 395.100</b> - 4 leaf barndoor <b>Mod. 356.100</b> - colour frame <b>Mod. 357.100</b> - P.O. stirrup <b>Mod. 481.110.40</b>

## LEONARDO 10-12 kW PICCOLO ACCESSORIES TYPES & MODEL NUMBERS

### MOD. OPTIONAL & ACCESSORIES

355.300	Stainless Steel wire guard
356.100	Four leaf rotating barndoor (Large)
356.110	Four leaf rotating barndoor (Medium)
356.200	Eight way rotating barndoor (Large)
356.210	Eight way rotating barndoor (Medium)
357.100	Colour frame
357.300	Colour frame for short brackets mtg.
358.100	Cone with two discs (with front aperture diameter: 275 mm. 215 mm. 155 mm.).
359.100	Set of scrims - Stainless steel
359.101	Full single scrim - Stainless steel
359.102	Full double scrim - Stainless steel
359.103	1/2 single scrim - Stainless steel
359.104	1/2 double scrim - Stainless steel
359.250	180° Bottom Light spill protection
397.100	Outrigger colour frame
397.110	Outrigger colour frame holding kit
91.200	Solid brass "C" clamp to hang fixtures overhead and for mounting on pipe with diameters up to 52 mm. (2"), with safety pin (no adapters)
20.100	Safety cable 800 mm. long with 4 mm. diameter steel rope and safety catch.
DGP-B200	HIGH WIND-UP STAND

