



Q·2

RGBW LED flood blind strobe



Description

The extremely bright Q-2 is a compact and lightweight flood/blinder/strobe with fast response time, smooth color mixing with no hotspots, and individually controllable segments for pixel mapping applications. Sharing some of the key features of the larger Q-7, like factory color calibration, wide angle lighting coverage, and a powerful strobe effect, the Q-2 also includes the benefits of three-segment pixel mapping control and low power consumption. Because of its rich feature set, powerful output, efficiency, small size, and easy rigging options, the Q-2 is a must-have flood/blinder/strobe for any rental company, touring production, or corporate event.

Features and benefits

- ✓ High-performance IP65 RGBW LED light source
- ✓ 3 individually controllable segments
- ✓ 2,000K-10,000K CTC control
- ✓ Practically maintenance-free
- ✓ 110° wide-angle coverage / Powerful high-speed strobe
- ✓ Only 6.0kg (13.2 lbs) / Low power consumption (200W)
- ✓ Accurate 16bit dimming performance
- ✓ Flicker-free / Programmable scenes

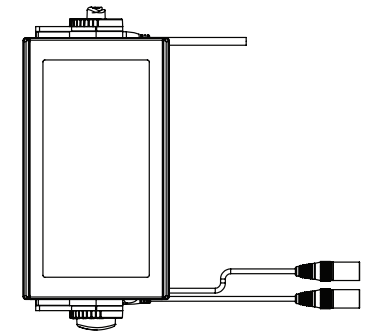
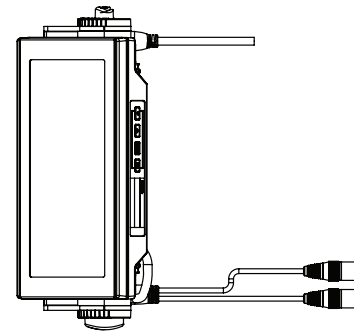
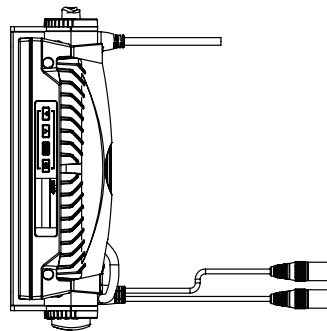
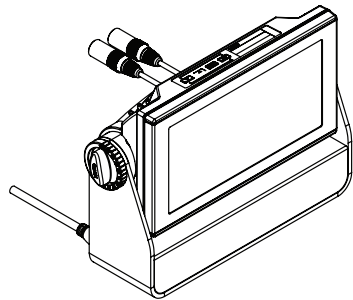
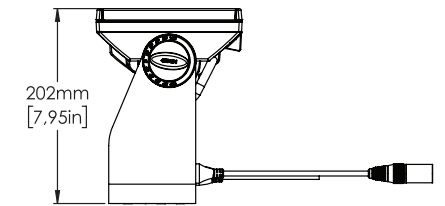
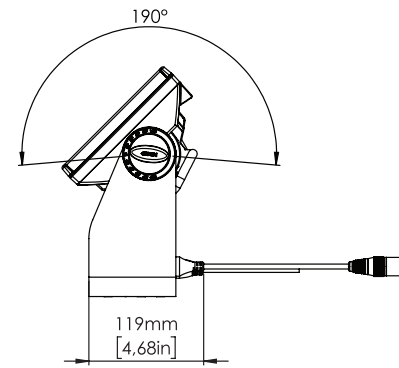
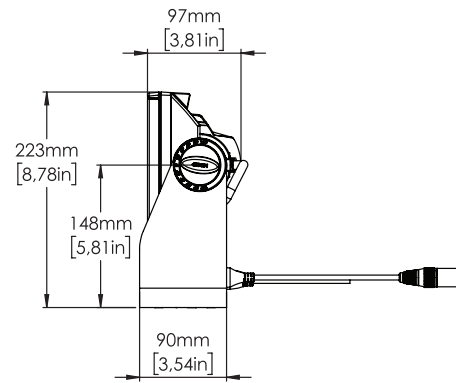
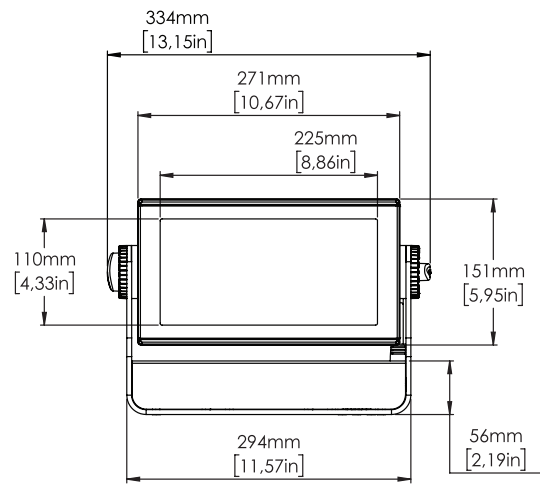
Certifications & classifications

IP65

RoHS

CE



Specification

Optical Data	LED expected lifetime	50,000 hours
	Lens	110° fixed
	Lightsource	864 x RGBW SMD LEDs (5,700K)
Photometric	Beam angle(s)	107° (with 110° lens)
	Color temperature range	2000K - 10000K
	Efficacy	46 lm/W
	Light output all LEDs on	9000 lm
	Light output blue	562 lm
	Light output green	2250 lm
	Light output red	1379 lm
	Lux @ 10m	35 lux
	Lux @ 5m	141 lux
	Maximum Field Angle	154 °
Physical	Color options	Black - RAL 9004 Custom color - Any RAL White - RAL 9010
	IP class	IP65
	Lens material	Tempered glass front
	Material	Aluminium
	Net dimensions	334 x 223 x 105 mm
	Net dimensions inches	13.2 x 8.8 x 4.1 inches
	Net weight	6 kg (13.2 lbs)
Features	Dimming	Electronic
	LED panel	3 individually controllable segments
	Strobe	Ultra-high-speed strobe effects
	Tilt	0 - 190°
Electrical	AC power, max.	90 - 305V 50/60Hz
	AC Power, nominal	100 - 277V 50/60Hz
	Electrical Protection	Overload protection
	Max Inrush Current	75 A
	Max power consumption	265 W
	Power factor	0.96 PF (230 V)
	Power Supply Unit	Inbuilt IP 67 Auto-ranging electronic switch-mode
	Standby power consumption	5 W

	Typical power consumption	140 W
Programming and Control	16-bit control	Dimmer, Red, Green, Blue
	Cabled DMX	5 pin XLR input/output
	DMX channels	3, 6, 9, 12, 15 or 22
	DMX modes	6
	Protocol	USITT DMX512A RDM ANSI E1.20
	Setting and addressing	OLED graphical display / 4 buttons RDM ANSI E1.20 Standalone mode
	Standalone mode	Quick Color Up to 24 programmable scenes
Connections	DMX data in/out	IP65 XLR 5-pin cable 0.5m
	Power	Power cable 1 meter with bare ends
Installation	Mounting point	2 quarter-turn locking points for one Omega bracket
	Orientation	Any
	Rigging possibilities	Floor stand (included) or hanging (Omega clamps included)
	Safety features	Bottom mount for safety wire Minimum distance to combustible materials: 0.3 meter (11 in).
Thermal	Cooling	Active, Forced Air, Temperature-regulated
	Humidity (max.)	98 %
	Temperature range, Operating	-40°C to 50°C
	Temperature range, Start-up	-20°C to 50°C
	Temperature range, Storage	-40°C to 80°C
	Thermal Protection	Automatic overtemperature protection
Included items	Included items	Mounting bracket (incl. screws) 1 Omega bracket with quarter-turn fasteners Safety instructions and installation quick guide
Conforms To	CE - 2014/30/EU: EMC Directive	EN 55103-1 EN 55103-2 EN 55015 EN 61547 EN 61000-3-2 EN 61000-3-3

CE - 2014/35/EU: Low Voltage Directive	EN 60598-1 EN 60598-2-17 EN 62471 EN 60529
RoHS2 Directive	2011/65/EU
UL	UL Std. 1573

Certified To

CSA	CSA-E598-2-17-98, Ed: 1 CSA E60598-1, Ed: 3
-----	--

NOTES:

Due to continuous improvements and innovations, specifications may change without notice.

LEDs' expected lifetime provided by manufacturer and obtained under manufacturer's test conditions.

Zoom range defined as a minimum beam angle to a maximum field angle.

Photometric measurements obtained with Goniometer Scan / SGM Illumination Lab 1.6.0.0.

Lumen output in pixel products is calculated.

Ordering information

Qty	Product name	Item number
<input type="checkbox"/>	Q-2 Color Flood, Std, BL	80030535
<input type="checkbox"/>	Q-2 Color Flood, Std, WH	80030565
<input type="checkbox"/>	Q-2 Color Flood, Std, CU	80030566
<input type="checkbox"/>		
	Accessories	Item number
<input type="checkbox"/>	Omega Bracket with 1/4-turn fasteners	83060602
<input type="checkbox"/>	4-way Barndoors for P·2, Q·2, i·2	83061129
<input type="checkbox"/>	8-way Barndoor for P·2, Q·2, i·2	83061130
<input type="checkbox"/>	Accessory Holder for Q·2	83061128
<input type="checkbox"/>	Color Frame for P·2, Q·2, i·2	83061131
<input type="checkbox"/>	Floor Stand for P·2 & Q·2	83060613
<input type="checkbox"/>	Flight Case for 4 pcs P·2, Q·2, Q·2 W & i·2 incl barndoors	82051503
<input type="checkbox"/>	SGM USB uploader cable	83062011
<input type="checkbox"/>	Vacuum Test Kit	83061136
<input type="checkbox"/>	A·4	80070217
<input type="checkbox"/>	RDM Addressing Tool	
<input type="checkbox"/>		



Headquarter +45 70 20 74 00

Mail info@sgmlight.com

Website sgmlight.com