


# FreeSpeak II 1.9GHz IP Transceiver

FreeSpeak II Wireless Solutions



Linking  
People  
Together



FreeSpeak II 1.9GHz IP Transceiver

## Key Features and Benefits

- Requires E-IPA-HX card and an Eclipse HX frame (not available for FSII-BASE-II)
- For use with FreeSpeak II 1.9GHz only
- Operates over IP on an AES67 compatible network
- Supports 10 FSII-BP19 beltpacks per FSII-TCVR-IP-19 transceiver
- Up to 64 transceivers supported on Eclipse HX matrix system
- Ethercon RJ45 network connections (2)
- High speed fiber SFP cages (2)
- Power-over-Ethernet (PoE) up to 300 ft (91 m)
- Green LED status indicator on top and bottom
- Mic stand or wall mount orientation (metric and imperial threads)
- IP-53 rating for wet and dusty conditions

FreeSpeak II is a high performance wireless solution operating in the 1.9 frequency band designed for extensive communication in large-scale operations.

## Description

The FSII-TVCR-IP-19 is an active transceiver antenna for the FSII-BP19 beltpacks. The transceiver connects to the Eclipse HX matrix system via the E-IPA interface card. Each transceiver can support up to 10 FSII-BP19 beltpacks. When supported with the E-IPA card, up to 50 1.9GHz beltpacks (in North America or 64 beltpacks in EU countries) and up to 64 transceivers can be supported on one Eclipse HX matrix system.

## Operation

The FSII-TCVR-IP-19 allows transceivers and beltpacks to be placed anywhere there is an AES67 IP network connection. The FSII-TCVR-IP-19 connects to the E-IPA-HX card via copper or fiber over an AES67 compliant network switch. Transceivers can be connected by copper (2 RJ45's) or fiber (2 high speed SFP cages).

## Power

The FSII-TCVR-IP-19 can be powered from an Power-over-Ethernet switch, using the supplied external power supply, or it can be connected via fiber and will need to be locally powered.

## Design

The FSII-TCVR-IP-19 is IP-53 rated for water and dust resistance. The transceiver has a mount for wall or microphone stand. A green status light is visible from either mounting orientations.

# FreeSpeak II 1.9GHz IP Transceiver

FreeSpeak II Wireless Solutions

## Technical Specifications

**Frequency Spectrum:** 1.88-1.93MHz for EU and US Cellular auto roaming technology

**Modulation:** GFSK, TDMA frame 10ms Full and Long slot

**Output power (EU):** 18-22dBm, (US): 18-20dBm

### Power

AC Input: 100VAC - 240VAC, 60/50Hz, -1.4A max

Max Power Consumption at 120V: 20W

PoE Class 3: 15.4W at PoE port, 12.95W at device

USB Power Source: 5V, 3A; max power consumption = 12.5W

### Environmental

**Operating:** 32°-125°F (0°-50°C)

**Storage:** 32°-150°F (0°-70°C)

**Humidity:** Between 20% and 90%, Non-Condensing

### Mounting

**Rear Mic Stand Mounts:** Mic stand threaded sockets 5/8" & 3/8"

**Safety Harness Attachment**

**Ball Joint Mic Adapter**

### Dimensions

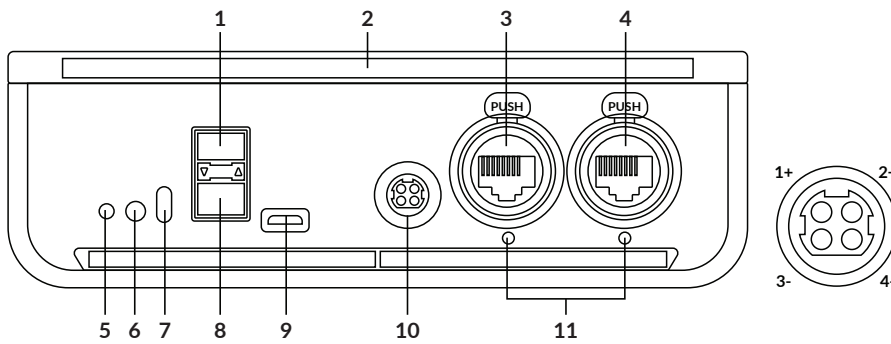
6.75 x 5.5 x 2 in (HxWxD)

(173 x 134 x 52 mm)

### Weight

7.0 oz (0.19kg)

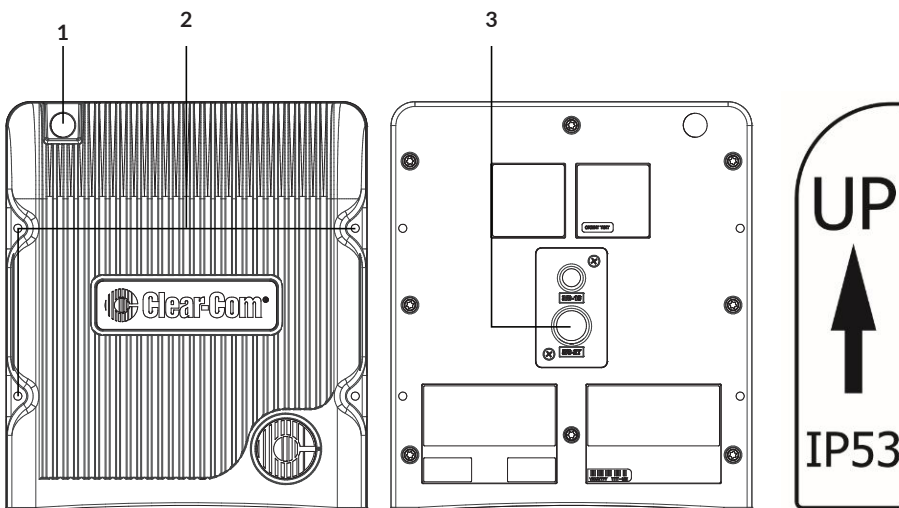
## FSII-TCVR-IP-19 Bottom



### Legend Bottom

1. LAN 3
2. Outlet Filter
3. LAN 2
4. LAN 1/PoE
5. Power LED
6. Mode
7. Status LED
8. LAN 4
9. USB-C
10. Power 12V 1.2A
11. Inlet Filter

## FSII-TCVR-IP-19 Front/Back



### Legend Front/Back

1. Safety Attachment
2. Center-to-center dimensions:  
Vertical: 7.54in (191.54mm)  
Horizontal: 7.05in (179.07mm)s
3. Mic stand threaded socket:  
5/8" & 3/8"

### Order Codes

**FSII-TCVR-IP-19-US:** For use in USA and Canada

**FSII-TCVR-IP-19-EU:** For use in the EU

Transceiver  
must be mounted  
vertically