



P-10

Wash / Strobe / Flood / Pixel / Blinder LED light



Description

The SGM P-10 is a unique and extremely powerful all-in-one LED luminaire, ideal for stadiums, arenas, convention centers, high-rise office or hotel buildings, bridges, large format stage shows, sports, or any event that requires an ultra-bright and super-long throw luminaire. It carries the functionalities of a wash light, a strobe light, a flood light, a pixel light, and a direct-view blinder with a non-fading continuous output, making it the perfect multi-purpose LED fixture. It features a narrow native beam angle that can be modified through various optional magnetic and click-on accessory solutions such as holographic filters and barndoors.

Features and benefits

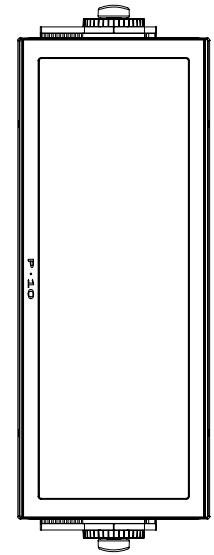
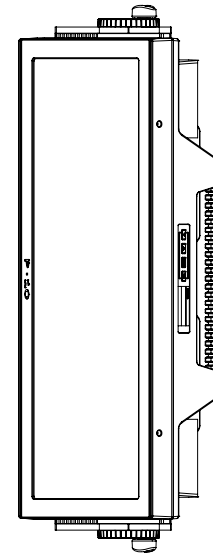
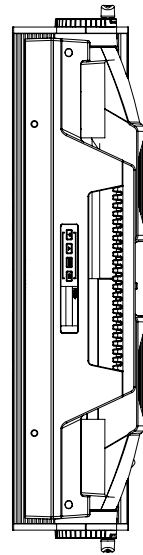
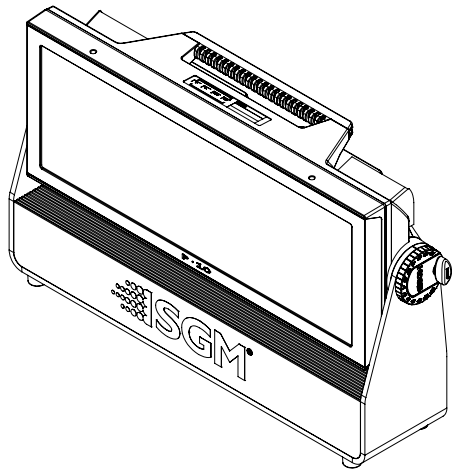
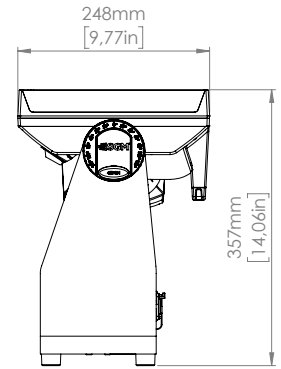
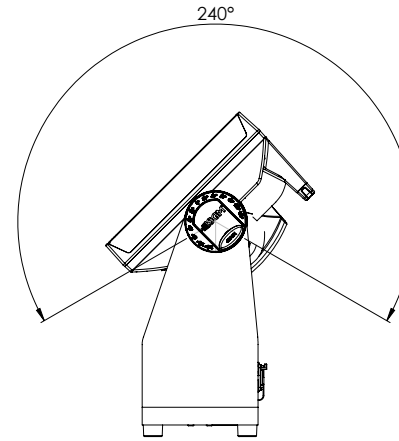
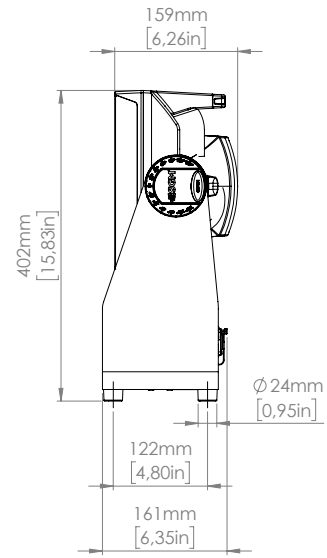
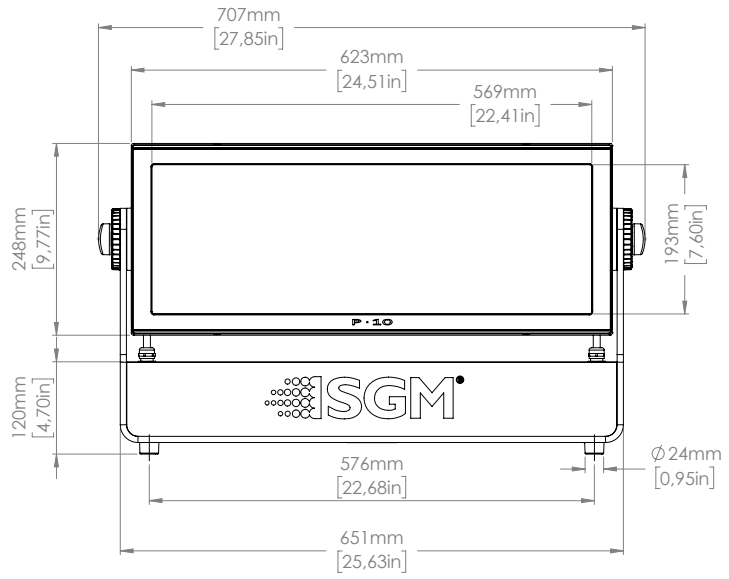
- ✓ 40165 lumen 10° IP65-rated RGBW LED luminaire
- ✓ No color shifts / flicker-free operation
- ✓ CTC linear control from 2000K - 10000K
- ✓ Practically maintenance-free
- ✓ 48 x 24W LEDs with 8 individually controllable segments
- ✓ Best-in-class optical color mixing and dimming performance
- ✓ Different beam angles available via holographic filter frames
- ✓ User friendly display, wireless control, and integrated handle

Certifications & classifications

IP65

RoHS

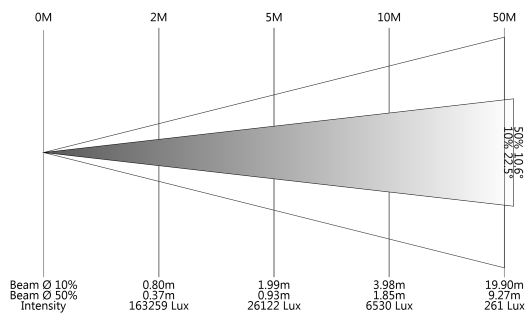




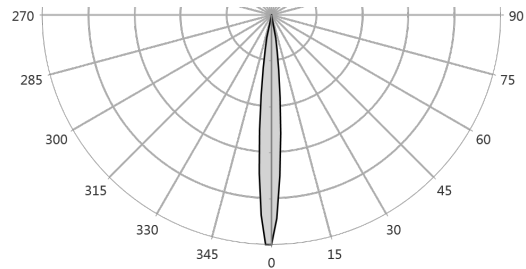
Manufacturer SGM
Luminaire P-10 All on raw peak
Measurement Date 01-02-2018
Power Consumption 1374 W
Light Output 40 165 lm
Field Angle 22.5 deg
Beam Angle 10.6 deg



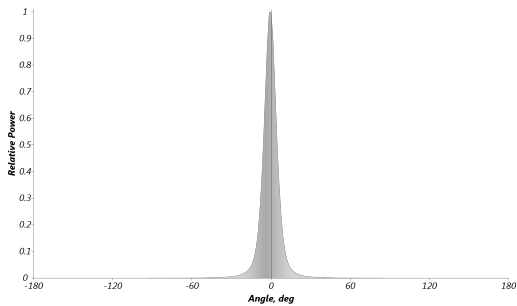
Lux Diagram



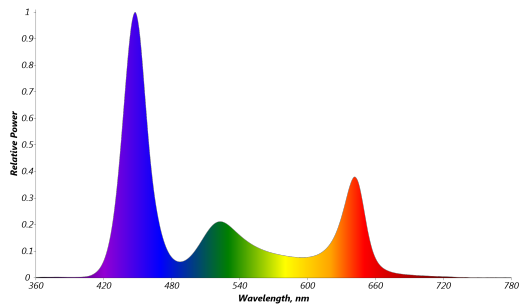
Polar Distribution



Beam Profile



Spectral Distribution



Specification

Optical Data	LED expected lifetime	50,000 hours	
	Lens	10°	
	Lightsource	48 x high-power 24W RGBW LEDs	
Photometric	Beam angle(s)	11° (with 10° lens) 18° (with Med filter frame) 47° (with Wide filter frame)	
	Color temperature range	2000K - 10000K	
	Efficacy	29 lm/W	
	Light output all LEDs on	40165 lm	
	Light output blue	2854 lm	
	Light output green	13151 lm	
	Light output red	7545 lm	
	Lux @ 10m	6530 lux	
	Lux @ 3m	72555 lux	
	Lux @ 5m	26122 lux	
	Maximum Field Angle	23 °	
	Physical	Color options	Black - RAL 9004 Custom color - Any RAL White - RAL 9010
IP class		IP65	
Lens material		PE and tempered glass front	
Material		Aluminium PC/ASA Rubber Steel	
Net dimensions		702 x 402 x 206 mm	
Net dimensions inches		27.7 x 15.8 x 8.1 inches	
Net weight		20.9 kg (46.1 lbs)	
Features		Dehumidifier	Base / Head
		Dimming	Electronic
	Emulation mode / effect	Color Filter Emulation	
	Filters	Magnetic easy-fit spread angle filters and color frame	
	LED panel	8 individually controllable segments	
	Strobe	Ultra-high-speed strobe effects	
	Tilt	0 - 190°	
	Tilt Locking System	Locking system with angle indicator	

Electrical	AC power, max.	90 - 305V 50/60Hz
	AC Power, nominal	100 - 277V 50/60Hz
	Electrical Protection	Overload protection with automatic recover
	Max Inrush Current	79 A
	Max power consumption	1400 W
	Power factor	0.99 PF (230 V)
	Power Supply Unit	Auto-ranging electronic switch-mode
	Standby power consumption	30 W
	Typical power consumption	1150 W
Programming and Control	16-bit control	Dimmer, Red, Green, Blue
	Cabled DMX	5 pin XLR input/output
	DMX channels	4, 6, 8, 9, 10, 21, 27, 30, 32, 35, 52
	DMX modes	13
	Protocol	CRMX, W-DMX™ G2, W-DMX™ G3, W-DMX™ G4, W-DMX™ G4S USITT DMX512A RDM ANSI E1.20
	Setting and addressing	OLED graphical display / 4 buttons RDM ANSI E1.20
	Standalone mode	Quick Color 3 programs with up to 24 scenes
	Wireless DMX	Lumen Radio with RDM
	Connections	DMX data in/out
Power		Power input connector & link-thru
Installation	Mounting point	3 x two quarter-turn locking points for two or three Omega Brackets
	Orientation	Any
	Rigging possibilities	Hanging (Omega Bracket included) or ceiling/wall mount (optional)
	Safety features	2 attachment points for safety wire Minimum distance to combustible materials: 0.3 meter (11 in).
Thermal	Cooling	Active, Forced Air, Temperature-regulated
	Humidity (max.)	98 %
	Temperature range, Operating	-40°C to 50°C
	Temperature range, Start-up	-20°C to 50°C
	Temperature range, Storage	-40°C to 80°C
Thermal Protection	Automatic overtemperature protection	

Included items	Included items	2 Omega bracket with quarter-turn fasteners 2 m power cable Safety instructions and installation quick guide
Conforms To	CE - 2014/30/EU: EMC Directive	EN 55103-1 EN 55103-2 EN 55015 EN 61547 EN 61000-3-2 EN 61000-3-3
	CE - 2014/35/EU: Low Voltage Directive	EN 60598-1 EN 60598-2-17 EN 62471 EN 60529
	RoHS2 Directive	2011/65/EU
	UL	UL Std. 1573
Certified To	CSA	CSA-E598-2-17-98, Ed: 1 CSA E60598-1, Ed: 3

NOTES:

Due to continuous improvements and innovations, specifications may change without notice.

LEDs' expected lifetime provided by manufacturer and obtained under manufacturer's test conditions.

Zoom range defined as a minimum beam angle to a maximum field angle.

Photometric measurements obtained with Goniometer Scan / SGM Illumination Lab 1.6.0.0.

Lumen output in pixel products is calculated.

Ordering information

Qty	Product name	Item number
<input type="checkbox"/>	P-10, Std, BL	80033001
<input type="checkbox"/>	P-10, Std, WH	80033011
<input type="checkbox"/>		
	Accessories	Item number
<input type="checkbox"/>	Omega Bracket with 1/4-turn fasteners	83060602
<input type="checkbox"/>	Power cable with IP connector	07860275
<input type="checkbox"/>	SGM USB uploader cable	83062011
<input type="checkbox"/>	Vacuum Test Kit	83061136
<input type="checkbox"/>	A·4	80070217
<input type="checkbox"/>	Filter frame for P·10 - elliptical horizontal wide angle	83061158
<input type="checkbox"/>	Filter frame for P·10 - elliptical vertical wide angle	83061159
<input type="checkbox"/>	Filter frame for P·10 - medium angle	83061156
<input type="checkbox"/>	Filter frame for P·10 - wide angle	83061157
<input type="checkbox"/>	4-way Barndoors for P·10, Q·10	83061152
<input type="checkbox"/>	RDM Addressing Tool	
<input type="checkbox"/>	Filter frame for P·10 - optional filters	83061160
<input type="checkbox"/>	Flight Case for 2 pcs of P·10 incl. accessories	82051504
<input type="checkbox"/>		



Headquarter +45 70 20 74 00

Mail info@sgmlight.com

Website sgmlight.com