

ARENA ZOOM Q7IP™



The ARENA ZOOM Q7IP™ an IP65 outdoor rated par fixture featuring (7) 30W Osram™ QUAD-Color RGBW LEDs, 7° to 40° motorized zoom, smooth color mixing, 38 color macros and variable speed macro effects, RGB white balance calibration, variable 3,200-10,000K color temperatures, selectable dimming curve effects, adjustable LED refresh rate and gamma brightness for flicker free operation for TV and FILM, DMX and RDM (remote device management) protocol support, IP rated 5pin DMX and powerCON TRUE1 power in/out connections, 4 Button 180° Reversible OLED Menu Control Display, integrated dual rigging yoke / floor stand, a durable die-cast housing, multiple unit power linkable, and a multi-voltage universal auto switching power supply (100-240v).

FEATURES

IP65 Outdoor Rated Par Wash Luminaire

(7) 30W Osram™ Quad-Color RGBW LEDs

7° to 40° Motorized Zoom

38 Color Macros and Variable Speed Macro Effects

Variable 3,200-10,000K Color Temperatures

Selectable Dimming Curve Effects

Adjustable LED Refresh Rate and Gamma Brightness

Dual Rigging Yoke / Floor Strand

Durable Die-Cast Housing



PRODUCT SPECIFICATIONS

SOURCE

7x 30W Osram™ Quad-Color RGBW LEDs
 30,000 Hour Average LED Life*

*LED Life may vary depending on several factors including but not limited to: Environmental Conditions, Power/Voltage, Usage Patterns (On-Off Cycling), Control and Dimming.

PHOTOMETRIC DATA

3,000+ Total Lumens

EFFECTS

7° - 40° Motorized Zoom
 38 Color Macros and Variable Speed Macro Effects
 Variable 3,200-10,000K Color Temperatures
 Selectable Dimming Curve Effects

COLOR

RGBW

CONTROL / CONNECTIONS

(5) Multiple DMX Channel Modes (12 total channels)
 Adjustable Refresh Rate (600-28,800 Hz)
 Adjustable Gamma Brightness (2.0, 2.2, 2.4, 2.8)
 4 Button 180° Reversible OLED Menu Control Display
 DMX and RDM Protocol Support
 IP Rated 5pin DMX In/Out
 powerCON TRUE1 Power In/Out

SIZE / WEIGHT

Length: 12.4" (316mm)
 Width: 9.6" (245mm)
 Vertical Height: 7.8" (197mm)
 Weight: 19.0 lbs. (8.6kg)

ELECTRICAL / THERMAL

AC 100-240V - 50/60Hz
 250W Max Power Consumption
 14°F to 113°F (-10°C to 45°C)

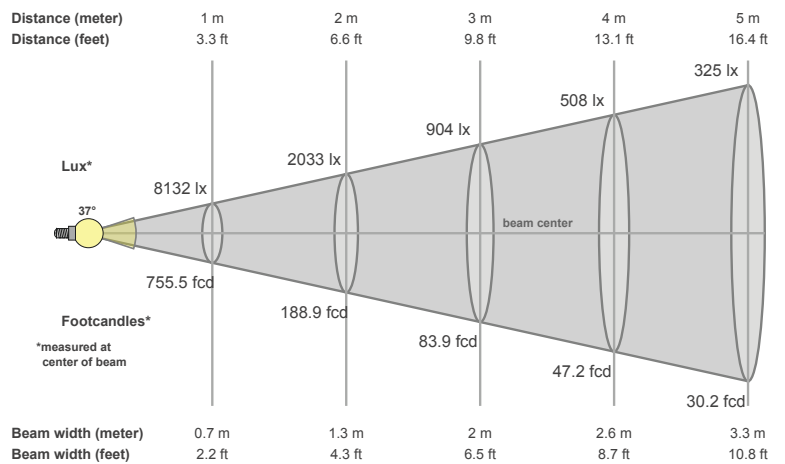
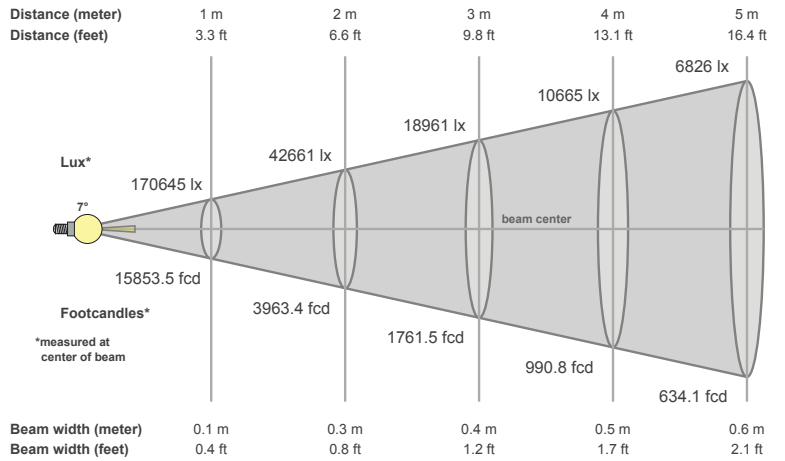
APPROVALS / RATINGS



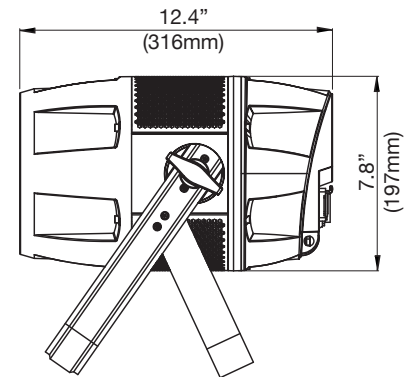
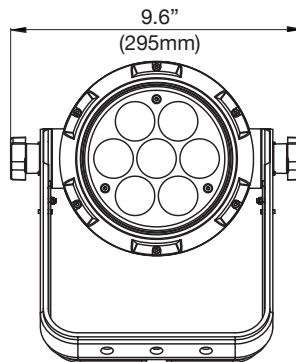
IP65



PHOTOMETRIC DATA



DIMENSIONAL DRAWINGS



ORDERING INFORMATION

ARE725	ARENA ZOOM Q7IP
QUICK RIG CLAMP	Low Profile Quick Release Clamp
NEU088	3 ft. (1m) powerCON TRUE1 Power Link Cable
	Additional cable lengths available



Specifications are subject to change without notice ©Elation Professional 03/06/18

Elation Professional USA | 6122 S. Eastern Ave. | Los Angeles, CA. 90040
 323-582-3322 | 323-832-9142 fax | www.elationlighting.com | info@elationlighting.com

Elation Professional B.V. | Junostraat 2 | 6468 EW Kerkrade, The Netherlands
 +31 45 546 85 66 | +31 45 546 85 96 fax | www.elationlighting.eu | info@elationlighting.eu