



SATURA PROFILE™

The Satura Profile™ features a new 440W LED Cool White LED engine, delivering 15,000 total output lumens, 11° to 38° zoom, full CMY color mixing and CTO, 7 dichroic colors, 6 rotating glass interchangeable gobo wheel, 7 static-stamped metal interchangeable gobo wheel which can be upgraded with an optional 4 static-stamped metal interchangeable gobo / animation effect wheel kit (sold separately), 4-blade framing shutter system, 3-facet rotating prism, frost filter, motorized iris and focus, variable dimming curves, high speed electronic shutter and strobe, hibernation mode, DMX, RDM (Remote Device Management), KlingNET™ and Art-NET support, 5pin XLR, and RJ45 ethernet in/out connections, powerCON in, full color 180° reversible menu display with 6 button touch control panel, battery backup for display power, flicker free operation for TV and FILM, and a multi-voltage universal auto switching power supply (100-240v).



FEATURES

- 440W Cool White 15,000 Lumen LED Spot Luminaire**
- 11° to 38° Motorized Zoom**
- Full CMY Color Mixing and CTO**
- 7 Dichroic Colors**
- 6 Rotating Glass Interchangeable Gobo Wheel**
- 7 Static-Stamped Metal Interchangeable Gobo Wheel**
- Optional 4 Static-Stamped Metal Gobo/Animation Wheel Kit**
- 4-Blade Framing Shutter System**
- 3-Facet Rotating Prism and Frost Filter**
- High Speed Electronic Shutter and Strobe**
- Motorized Iris and Focus and Variable Dimming Curves**
- DMX, RDM, KlingNET™ and Art-NET Support**
- Low Heat, Quiet Operation, Hibernation Mode**
- Flicker Free Operation For Broadcast TV and FILM**



Specifications are subject to change without notice ©Elation Professional 02/04/19

Elation Professional USA | 6122 S. Eastern Ave. | Los Angeles, CA. 90040
323-582-3322 | 323-832-9142 fax | www.elationlighting.com | info@elationlighting.com

Elation Professional B.V. | Junostraat 2 | 6468 EW Kerkrade, The Netherlands
+31 45 546 85 66 | +31 45 546 85 96 fax | www.elationlighting.eu | info@elationlighting.eu

PRODUCT SPECIFICATIONS

SOURCE

440W Cool White LED Engine
50,000 Hour Average LED Life*

*May vary depending on several factors including but not limited to: Environmental Conditions, Power/Voltage, Usage Patterns (On-Off Cycling), Control and Dimming.

PHOTOMETRIC DATA

15,000 Total Lumen Output
17,835 LUX 1,657 FC @16.4' (5m) (Min Zoom)
2,182 LUX 203 FC @16.4' (5m) (Max Zoom)

EFFECTS

Motorized Zoom (11° - 38°), Iris, and Focus
4-Blade Framing Shutter System
3-Facet Rotating Prism and Prism Macros
Frost Filter Hybrid Wash Effect
Variable 16-bit Dimming Curve Modes
High Speed Electronic Shutter / Strobe
Animation Effect (Optional Kit Sold Separately)

COLOR

7 Dichroic Colors
Full CMY Color Mixing and Linear CTO Color Correction

GOBOS

(6) Interchangeable Rotating / Indexing Glass Gobos
(7) Interchangeable Static-Stamped Metal Gobos
(4) Interchangeable Metal Gobo/Animation Wheel*

* Optional Kit Sold Separately

CONTROL / CONNECTIONS

(3) DMX Channel Modes (33 / 35 / 54)
DMX, RDM, Kling-NET, and Art-NET Protocol Support
Full Color 180° Reversible LCD Touch Control Panel
8 / 16 Bit Resolution Adjustable Movement
3/5pin DMX, RJ45 Ethernet In/Out, powerCON Power In

SIZE / WEIGHT

Length: 17.7" (450mm)
Width: 20.7" (525mm)
Vertical Height: 29.3" (745mm)
Weight: 75.0 lbs. (34.0kg)

ELECTRICAL / THERMAL

AC 100-240V - 50/60Hz
650W Max Power Consumption
14°F to 113°F (-10°C to 45°C)

APPROVALS / RATINGS



ORDERING INFORMATION

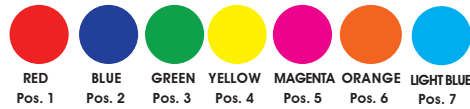
PRODUCT ORDER CODE	
SAT601	SATURA PROFILE
OPTIONAL ACCESSORIES ORDER CODES	
DRCSATPRO	Touring Road Case for Satura Profile
TRIGGER CLAMP	Heavy Duty Wrap Around Hook Style Clamp
501020103010	Optional Static Gobo / Animation Wheel Kit
AC3PDMX5PRO	5 ft. (1.5m) 3pin PRO DMX Cable
AC5PDMX5PRO	5 ft. (1.5m) 5pin PRO DMX Cable
CAT005	5' (1.5m) CAT6 etherCON Cable
Additional cable lengths available	

COLORS AND GOBOS

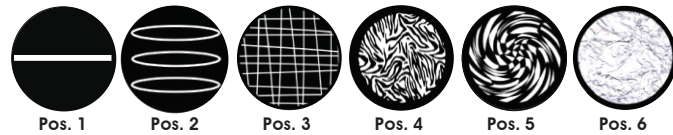
COLOR FLAGS



COLOR WHEEL



INTERCHANGEABLE-ROTATING GOBO WHEEL 1 - OD: Ø28.8mm ID: Ø24.0mm**



INTERCHANGEABLE STATIC-FIXED GOBO WHEEL 2 - OD: Ø27.0mm ID: Ø22.0mm**



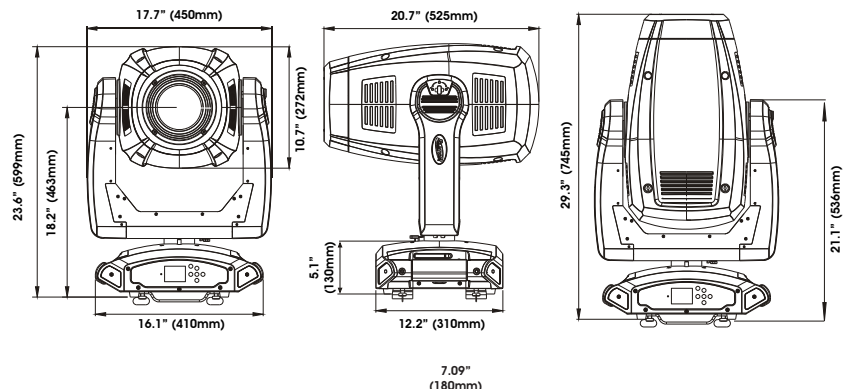
****IMPORTANT NOTICE REGARDING GOBO DIMENSIONS AND CUSTOM GOBOS**

OD = Outside Diameter | ID = Image Diameter
Due to varying manufacturing processes, it is highly recommended to provide a gobo and holder sample from the fixture to 3rd party custom gobo vendors for accurate sizing.

OPTIONAL ANIMATION WHEEL KIT (sold separately)



DIMENSIONAL DIAGRAMS



Specifications are subject to change without notice ©Elation Professional 02/04/19

Elation Professional USA | 6122 S. Eastern Ave. | Los Angeles, CA 90040
323-582-3322 | 323-832-9142 fax | www.elationlighting.com | info@elationlighting.com

Elation Professional B.V. | Junostraat 2 | 6468 EW Kerkrade, The Netherlands
+31 45 546 85 66 | +31 45 546 85 96 fax | www.elationlighting.eu | info@elationlighting.eu