

OWNER'S MANUAL

ULTIMATE 2000 – 3000 G5



40443230 Ultimate 2000 G5
230V 50Hz

40453230 Ultimate 3000 G5
230V 50Hz

Rev. 1 2019-05-22

SWE  FOG

BRING LIGHTING TO LIFE



IMPORTANT!

Read all cautions and warnings prior to assembly, mounting and operating this equipment.

IMPORTANT !

Prière de lire toutes les précautions et les avertissements avant l'assemblage, le montage et de faire fonctionner cet équipement.

WICHTIG !

Lesen Sie alle Warnungen sorgfältig bevor Sie das Gerät zusammenbauen, installieren und benutzen.

¡IMPORTANTE!

Por favor, lea todas las precauciones y las advertencias antes de ensamblar, montar y operar este equipo.

IMPORTANTI!

Leggere tutti gli avvertenti prima di montare e usare questo apparecchio.

TABLE OF CONTENTS

HOW TO USE THIS GUIDE	4
QUICK SETUP GUIDE	4
1. INTRODUCTION	5
2. UNPACKING	5
3. SAFETY PRECAUTIONS, GENERAL	6
4. HANDLING SAFETY PRECAUTIONS	6
5. INSTALLATION AND PRECAUTIONS	7
6. OPERATION, Ultimate 2000	8
6. OPERATION, Ultimate 3000	9
6. Control panel, DMX & fluids	10-13
7. SPECIFICATIONS	13
8. SERVICE, MAINTENANCE & REPAIR	14
9. WARRANTY & RETURNS	15
CE CONFORMITY	16

Manufactured by:
SWEFOG TECHNOLOGY GROUP AB
INDUSTRIVÄGEN 15
SE-682 33 FILIPSTAD, SWEDEN.
Tel: +46 590 122 50, +46-70-403 33 00
e-mail: info@swefog.com
www.swefog.com

HOW TO USE THIS GUIDE:

For your safety, it is important that you read this manual thoroughly before you operate the Ultimate hazer.

This manual describes how to unpack, plan for, set up and operate the Ultimate 2000 & 3000. It also lists important safety precautions and a separate service & maintenance manual for technical support.

In this manual you will find the following symbols:



CAUTION: This symbol appears adjacent to caution messages. Not heeding these messages could result in minor personal injury and / or damage to equipment.

QUICK SETUP GUIDE:

1. Read chapter 3: "SAFETY PRECAUTIONS".
2. Place machine on a level surface.
3. Fill Swefog Ultimate haze fluid in the tank, fill slowly, and do NOT exceed the "max" level indicator!
4. Connect to a mains outlet with earth lead.
5. (For DMX control): Connect a DMX cable to the male XLR connector.
6. Switch the machine ON.
7. (DMX models only): Set a DMX address 1-512 press OK.

1. INTRODUCTION:

The Ultimate hazer is a high performance atmospheric haze generator. The machine can operate as a continuous duty haze machine, or it can operate intermittently for periods of time, controlled by the user.

- The machine is instant on. Does not need warm-up time.
- Operates continuously as long as there is fluid and power supplied.
- Operates for approx. 40 hours on full tank at maximum output.
- The machine will not be damaged if operating with an empty tank, even for a long time.
- All internal parts are easy to service or replace.
- The machine is available in DMX version ONLY, with manual or DMX control.

We hope that you will be fully satisfied with the performance and the low running costs. However, to keep your machine functioning like new throughout its entire life, it is important to follow the instructions in this manual and to perform regular maintenance of the hazer.

For the best results, use only original Swefog Ultimate haze fluid in the machine. Use of any other fluid will void the warranty.

How to use this manual:

This manual contains important safety precautions and information on how to use your machine. Always read the owner's manual before using the machine!

Service bulletins, which contain detailed information on regular maintenance, can be downloaded from www.swefog.com. Refer all service and repair work to qualified personnel.

This manual and updates can also be downloaded as PDF-files from www.swefog.com

1.1 MODEL VARIATIONS:

This manual is for the models Ultimate 2000 & Ultimate 3000 only. The two models are identical in output, performance and most handling.

Ultimate 2000 is a one-piece compact unit, with compressor & fluid tank / haze generating plant all integrated in the same housing.

Ultimate 3000 is a two-piece unit, with separate haze & compressor units. The compressor unit can be hidden away, for virtually silent operation, and the haze unit can operate with distance to compressor unit up to 25m (82 ft).

2. UNPACKING:

Swefog Ultimate 2000 package contains:

- One machine + one manual.

Swefog Ultimate 3000 package contains:

- Carton #1: One compressor unit + one manual + tube & cable package.
- Carton #2: One haze unit.
- The tube & cable package contains: 1x air tube 0,5 m, 1x air tube 10 m, 1x IEC cable 0,5 m, 1x IEC cable 10 m for connection between compressor & haze units. Please note, 16 & 25 m air tubes are optional accessories.
- Please note, no mains cable is included, and no fluid.
- Save the box and packing material for future use.
- If machine need to be transported, make sure the tank is empty. If not, the machine must be transported upright. Ship, preferably in the original box, placed on a small pallet. Use straps to fix it to the pallet to avoid fluid leakage during transport.

3. SAFETY PRECAUTIONS:



- Haze residues and fluid spillage may be dangerous. A slippery surface can cause serious personal injury! ALWAYS check surfaces before, during and after use of the machine.
- Use Swefog Ultimate white oil fluids only. Other fluids may damage the machine, cause residues inside and outside the machine, or cause toxic or odorous haze.
- Be aware of the operating conditions. If this machine is used in areas with high air humidity, water may condense inside tank or inside machine housing. Water condensed in tank will stay close to bottom, since the oil based liquid is lighter than water. If haze generating nozzle is contaminated with water, corrosion may occur, together with bad haze and odor. If water is collected in tank, read chapter “drain of tank” how to remove water.
- NOTE: The fluid is made with white oils of medical & food grade and may cause allergic reactions to people suffering from hyperaesthesia. Make sure that persons subjected to haze and fluids are not allergic to the substance. The original Swefog fluid is made with medical grade chemicals only, and is non-toxic. But always ensure the haze will not cause inconvenience.
- Connect to mains outlet with earth. Use a cable with earth. Check for correct voltage and/or mains frequency (see machine label). NEVER use the machine with incorrect mains voltage or frequency.
- NOTE: The condensation of the haze, makes floors, stairs and other surfaces slippery. Do NOT direct the machine’s haze output beam towards cool or hard surfaces like wood, plastics, glass or metal. If the machine is frequently used, or used for a long time, check frequently that no surface is slippery.

4. HANDLING SAFETY PRECAUTIONS:



- NEVER mix or dilute the fluid.
- NEVER heat the fluid. Use room temperature fluid only.
- The machine is for indoor-use only. NEVER use in a dusty environment. Keep away from moisture!
- Operate in room temperature only. Min. operating temperature is +10 °C, max. temperature is +30 °C.
- NEVER cover vents or air inlets on the machine housing.
- NEVER use dimmers to control the power to the machine. The machine must be either ON or OFF: the output from the machine is controlled only through the length of intervals when it is ON. If mains voltage input is regulated through a dimmer switch, the compressor and other electric components will be damaged.
- Service internal parts ONLY if you have the know-how and experience to perform the service correctly. If not, please contact a Swefog service centre or the manufacturer.

NOTE: Incorrect service and/or use of non-original spare parts will void the warranty.

- NEVER change parts or details inside, use original spare parts only!
- Do not overfill the machine. NEVER switch power on if fluid level is above the "max" symbol.
- NOTE: If there is a fluid leakage or spillage, wipe off fluid. DO NOT use the machine until it is mended.
- NOTE: The haze may cause residues on mirrors, lenses and similar components if the fog concentration is too high in the air. Equipment using fan ventilation may draw haze through the lamp housing, which may cause residues. Always check carefully where to direct the output of the machine, and keep equipment that uses fans away from the haze.

5. INSTALLATION AND PRECAUTIONS:



- Make sure the area in which this product is to be used is well ventilated.
- Do NOT install the machine directly above an audience.
- Do NOT direct the haze outlet directly towards an audience.
- Do NOT operate near flammable materials.
- Do NOT expose to rain or moisture. Use indoors only.



- Use only Swefog Ultimate fluid in this machine.
- Use responsible concentrations of haze to create atmospheric effects.
- Not for residential use.
- Must be handled by qualified personnel at all times.

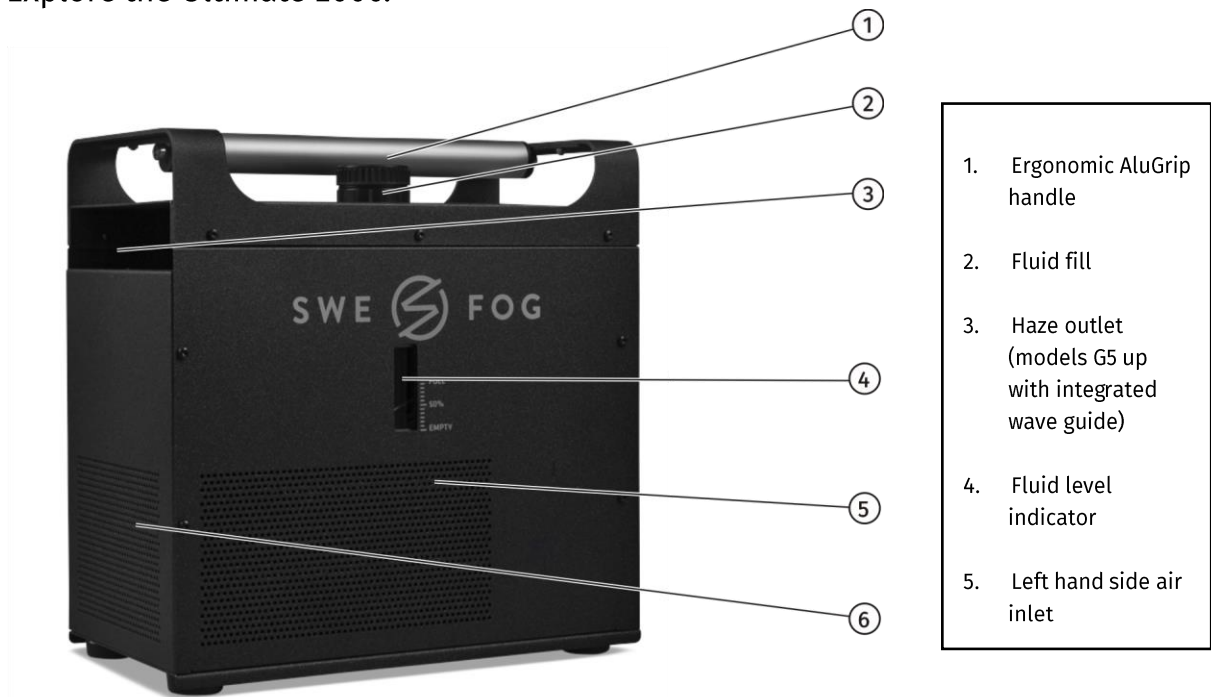
According to a report commissioned by Actors' Equity Association and the League of American Theatres and Producers, mineral oil should be used in such a manner that an Actors' exposure does not exceed a peak concentration of 25 mg/m³.

For chronic exposure to mineral oil, the existing standards established for oil mists (5 mg/m³ as an *eight-hour time-weighted average*) should also be protective for Actors in theatrical productions.

Source:
www.actorsequity.org

6.0 OPERATION :

Explore the Ultimate 2000:

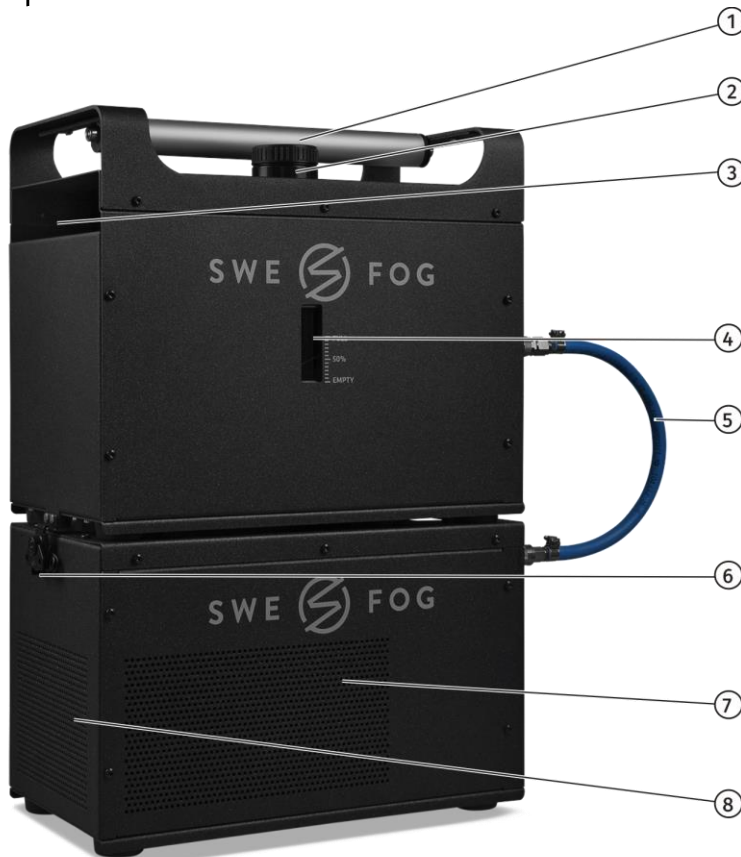


- 7. Internal fan air inlet filter holder screws (release all 4 screws to remove filter mat holder).
- 8. Internal fan air inlet filter holder
- 9. DMX control panel, mains inlet



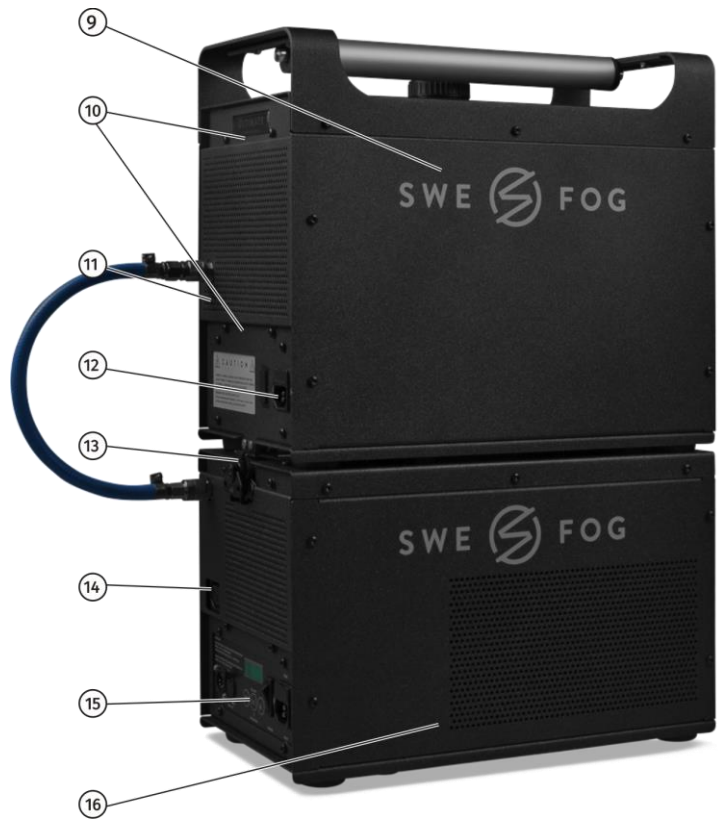
6.1 OPERATION :

Explore the Ultimate 3000:

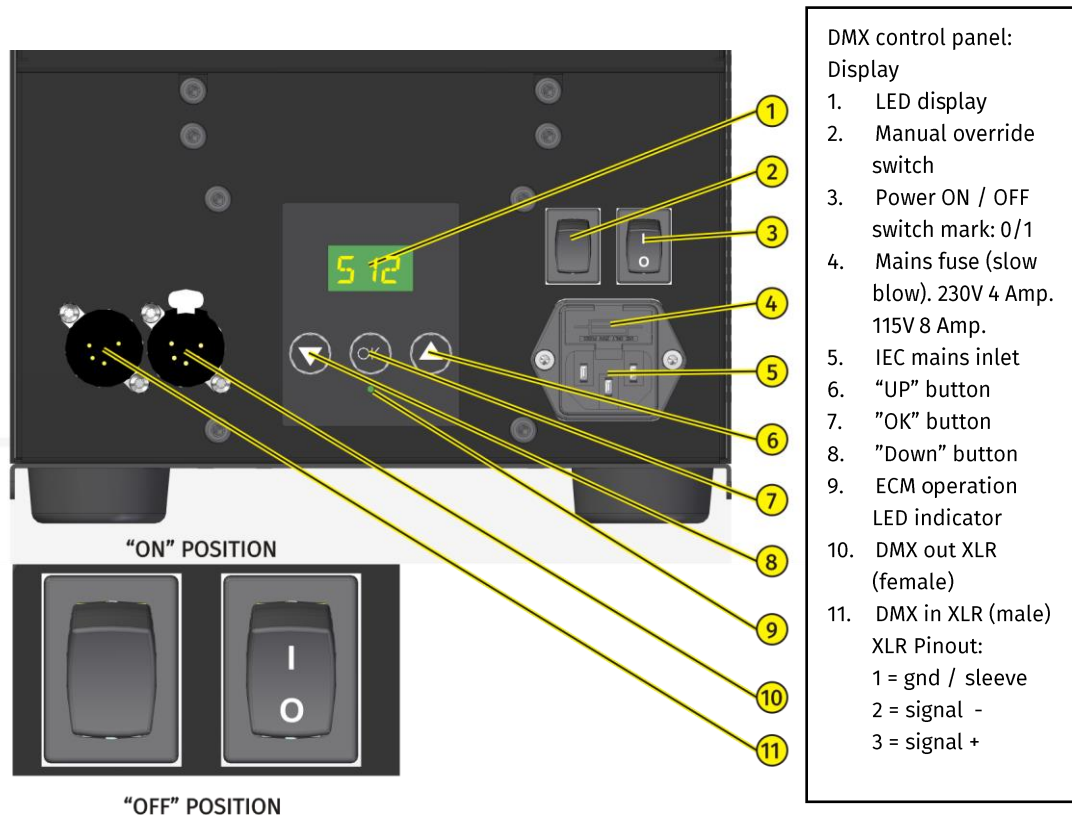


- 1. Ergonomic AluGrip handle
- 2. Fluid fill
- 3. Haze outlet (models G5 up with integrated wave guide)
- 4. Fluid level indicator
- 5. Air connection hose
- 6. Front butterfly latch
- 7. Left hand side air inlet

- 9. Haze unit
- 10. Internal fan air inlet filter holder screws (release all 4 screws to remove filter mat holder).
- 11. Internal fan air inlet filter holder
- 12. Fan power supply inlet
- 13. Rear butterfly latch
- 14. Fan power supply outlet
- 15. DMX control panel, mains inlet
- 16. Compressor unit



6.2 Control panel & display (Ultimate 2000 & 3000, compressor unit):



6.2.1 Normal operation:



NOTE: When the machine is switched off, wait at least 30 sec until it is switched on again. The machine's DMX receiver does not contain a delay function or similar monitoring for on/off. When controlled manually or with DMX, Always ensure the machine is not switched on & off repeatedly, it may damage internal components.

Ultimate 2000 & 3000, haze unit:

- Place the machine on a level surface.
- Remove the fill cap on top of the machine. Fill with original "Swefog Ultimate" fluid. Fill slowly. DO NOT overfill. NEVER exceed the "max" fluid level. Close the fill cap before switching on the machine.
- NEVER fill fluid while machine is operating.

- The machine is continuously cooled by internal fans and an intercooler and can operate without interruption as long as there is mains power and fluid supply.
- Operating the machine with an empty fluid tank does not damage the machine.
- Connect a mains cable to a suitable mains outlet, for 230V min. 5 Amps capacity. NOTE: Due to the high starting current, the machine consumes approx. 4 times its regular power consumption at the moment it is switched on. Always use mains fuses of the slow-blow type.

Ultimate 3000 only:

The machine can be used with separable haze & compressor units, or as one, compact unit with hazer placed on top of compressor unit.

- As compact unit, ensure to lock haze / compressor units with front & rear butterfly latches. Connect with short 0,5m air hose & cable between haze & compressor units.
- Units separated: As a standard feature, 10m air hose & cables are included. If optional extension hose 16m or 25m is used, maximum distance between units is 25m. Use one hose only between the units, never use multiple hoses in serial connection.
- Haze unit has a mains power inlet for supply the integrated haze outlet fan. For up to 10m distance, use included 10m IEC cable to supply power from compressor unit to hazer. Distances over 10m, use extension power cables or supply hazer from a separate mains outlet. Never operate hazer with air without power supply simultaneously.
- Never operate hazer with air from other compressors. Use Swefog Ultimate 3000 compressor unit only, other air sources contain water & compressor oil mist, and will damage internal components in your machine. Ultimate 3000 uses a perfect matching compressor, so no regulators or flow reduction equipment is needed. Using external air sources will result in bad haze and damaged internal components due to overload. Abnormal air pressure will cause tank to crack or explode.

6.2.2 ECM (Electronic Control Module) – DMX 512 & manual on / off:

If controlled with DMX, the machine uses one channel only, and reads all channels between 001 and 512. The machine is ON at DMX level 77 (approx. 30%). XLR pinout:
Pin 1 = gnd / sleeve, pin 2 = signal - , pin 3 = signal +

ON / OFF can be controlled by ECM with DMX or manually.

There are four ways to control an Ultimate G5 hazer.
Power ON/OFF switch set to “ON” position & manual override switch to “OFF”.

Via ECM (Electronic Control Module). Operation is indicated with red LED.

1. Manually by pressing OK button for ON, press again for OFF. ON/OFF is indicated in display window + red operation LED indicator.
2. via DMX 512. Start address indicated in display window, operation indicated with red LED.

Via manual override switch, power ON/OFF switch set to “ON” position:

3. For complete manual control, set override switch to “ON” position. This switch takes priority over ECM, and machine will start operation.
4. For control via external switches, set override & power on/off switches to “ON” position. Machine will start operate when supplied with electric power.

Control with DMX signal only:

- Connect a DMX cable to the male XLR connector. The DMX cable is linked to a standard DMX 512 source (e.g. a light desk).

- Set mains switch to “1”. *The display indicates the last stored address, or “OFF” if the last operation mode was manual.*
- Select a DMX address between 001 and 512 (the machine uses one channel only): Use the up/down keys to select address (the display flashes while the new address is being selected). *Tip: Press and hold “up” or “down” key for faster count.*
- Press “OK” to store the selected address. *The display will now stop flashing, to confirm the address is stored.*
- When the level of the selected DMX address is 77 or more, the machine is on. When the level is 76 or less, the machine is off. The red “operation” LED indicates the machine is switched on by the DMX electronics.
- If the DMX source is manually controlled with potentiometers make sure the potentiometer is not adjusted only around level 77. It can make the machine go on and off repeatedly. The output cannot be controlled with the DMX level, only through the operating intervals. The best way to control the machine without the risk of an unwanted start or stop (and risk of damage to compressor motor), is to set the level at 0 (0%) for off, and 255 (100%) for on.

Tip: The last selected address will be stored in the processor’s memory when the machine is switched off and/or mains voltage is disconnected. The address is set as default next time the machine is switched on.

In an application where the machine is used with the same address every time (e.g. on tour or in permanent installations), it is not necessary programme again at power on, as the last selected address is pre-set as default.

If, for any reason, a different address is to be used temporarily: Set the temporary address, but do NOT press “OK” (the temporary address will flash in the display). The machine will respond to the temporary address until mains power is switched off. Next time it is switched on, the usual, favourite address will be set as default.

Manual control without DMX:

- Select an address below 1 or above 512 (the display indicates “OFF”).
- Press “OK” button to start and stop (the display indicates “On”. The red “operation” LED indicates the machine is on.

Remote control from external power sources:

Ultimate hazers G5 can be controlled from external switch or relay units. Set manual override & power on/off switches in “ON” position. Use a relay box, switch pack, radio controlled switch or similar device to switch mains power to machine on/off. NOTE: The integrated Electronic Control Module (including DMX control) does not control machine when manual override switch is activated.

NOTE:



NOTE: When external units are used for control of mains power, make sure that:

- No dimmer packs are used. The machine must be supplied with no (OFF) or full (ON) mains voltage. Be aware of that machine has a high start current, about 4 times nominal current. Never start or stop machine with short intervals. Let machine be on for several minutes every time, and off for min 5 minutes. Damage to internal components not covered by warranty if incorrect power supply equipment is used.
- Fluctuating voltage or frequency will damage the machine.

6.3 Fluids:

All Swefog Ultimate machines have been developed and designed to work with Swefog Ultimate white mineral-oil based fluids. If original fluid is used and regular maintenance is performed, the machine will work well for many years.

Swefog Technology Group AB have not performed tests with the Ultimate hazers with any other fluids than the original types, therefore no guarantee can be issued regarding performance, health hazards, residues, component damage/wear outs or other disturbances or inconveniences related to non-original fluids.

Many fluids may look the same at first sight, but the truth is that no fluids are identical. There is a significant risk of internal parts and materials being affected, especially parts made with plastics and rubber.

Swefog original fluids are made with a special, medical-grade white mineral oil, with a viscosity especially developed to perform well with the small nozzles and low air pressure used in the Ultimate hazer series. The oils used during the manufacturing process are also filtered several times to ensure an extremely clean fluid. Swefog Ultimate fluids are of medical grade, which is the finest oil quality available. Medical grade oils, which is a quality grade far better than "food grade" or "technical grade", is also used in manufacturing of medicals and similar processes with extremely high demands on purity & cleanliness.

In a cracker hazer, like the Ultimate series, the oil fluid is processed, "cracked" to extremely small particles with the use of several spray nozzles. The haze is filtered and let out without any kinds of chemical changes, and made without the use of heat, which is the case in an ordinary smoke or haze machine. This means, that the characteristics of the fluid used is VERY important for the end result, such as: haze quality, separation, loss/absorption of light illumination power, smell/odour, hang time, dew time, health hazards, exposure levels, exposure time limits for actors and personnel etc.

Bear in mind, low-cost fluids will never give you the same performance and quality as the original product, the fluid your machine was designed to be used with.

Swefog Ultimate hazers has extremely low fluid consumption, 0,05 litre (0,01 U.S. gal) only per hour at continuous operation. One 5L (1,3 U.S. gal) canister will last for approximately 80 hours of continuous operation.

Always use ORIGINAL fluid, to ensure the highest performance and a SAFE operation. Problems related to non-original fluids are NOT covered by Swefog's 2-year warranty.

7. Technical specifications Ultimate 2000 & 3000:

Type:	"Cracker" haze generator, pneumatic.
Fluid type:	White, mineral oil-based
Operation:	Continuous
Fluid consumption:	Approximately 0,05 litre (0,01 US gal) per hour
Fluid reservoir capacity:	2,5 litre (0,66 US gal)
Cracker nozzle type:	Swefog V-tec, 3-way vaporizing nozzles, aluminium / brass.
Power consumption:	580 Watts
Dimensions & dry weight	Ultimate 2000: LxWxH 382x203x390 mm (15"x8"x15,4"), 21.0 kgs (46.2 lbs.) Ultimate 3000 haze unit: LxWxH 382x203x335 mm (15"x8"x13.2") 12.0 kgs (26.4 lbs.) Ultimate 3000 compr.unit: LxWxH 382x203x293 mm (15"x8"x11.5") 15.0 kgs (33 lbs.) Both units together: LxWxH: 417x203x575 mm (15"x8"x22.6") 27.0 kgs (59 lbs.)
Location of assembly:	Swefog Technology Group AB, Filipstad, Sweden.

8. Service, maintenance & repair:

The Ultimate series is made with industrial standard components. If regular care and maintenance is performed, the machine will last for many years of regular use.

If you have good know-how and technical experience of cracker hazers' electronics and pneumatics, follow the service bulletins, which can be downloaded from www.swefog.com or contact manufacturer's helpdesk.

If not, refer service tasks to qualified technical personnel, or contact a preferred Swefog dealer. Preferred dealers have qualified service technicians, and will be able to perform most service works.

Ultimate hazers uses air filter mats covering all air in/outlets on the machine housing(s), and several air filters to protect internal components from damage.

Filter mats: protects machine from dirt and dust. It is very important to clean or replace the filter mats when clogged by dirt and dust. If not, the clogged filters will prevent a sufficient air flow through the machine housing, which may cause internal mechanical parts (i.e. the compressor) to overheat.

To ensure good performance and extended lifetime of compressor, fans and other expensive components, check filter mats frequently. If dust or dirt is clogging the inlets, replace the filters immediately. Do not use the machine if sufficient air flow cannot be guaranteed

Filters: Ultimate hazers contain three (3) important filters that shall be replaced regularly, and always at the same time:

- Compressor Air inlet filter. (Ultimate 3000: the filter is located inside compressor unit).
- Compressed air filter cartridge, located inside water separating filter's transparent cup. (Ultimate 3000: the water separating filter is located inside haze unit).
- Fluid filter, located inside tank, together with nozzle assembly (Ultimate 3000: Tank unit is located inside haze unit).
- Download service manuals from swefog.com for further instructions how to ordering & replace filters, or send your machine to distributor for service.
- Ultimate 2000: 2x air inlet filter mats, one covers front, left & right sides of machine housing, the second mat covers the rear fan inlet.
- Ultimate 3000 compressor unit: 2x air inlet filter mats, one covers front, left & right sides of machine housing, the second mat covers the rear fan inlet.
- Ultimate 3000 haze unit: 1x air inlet filter mat, cover rear fan inlet.
- Replacement of compressor's air inlet filter cartridge.
- Cleaning of the compressed air filter cartridge.
- Cleaning of the nozzle unit (only necessary if haze output is low)
- Cleaning or replacement of haze fluid filter
- If necessary, empty and clean the fluid tank

NOTE: The filter mats are made with a special material that withstands the oil particles in the haze surrounding the machine during operation. The size of the open cells in the filter material is tested for optimum performance, to ensure good airflow, preventing dust from coming in to the machine housing. **DO NOT USE NON-SWFOG REPLACEMENT FILTER MATS** Using other open cell foam mats may cause problems, due to insufficient airflow capacity. Damage to, or overheating of, internal parts are NOT covered by manufacturer's warranty if non-original filters have been used.

The service bulletins contain a detailed description on how to perform the above service & maintenance.

9. Warranty & returns:

9.1 Unpacking and Saving the Shipping Materials

The customer would be well advised not to discard the Swefog shipping carton and packing materials. These items are specifically designed to protect this product during transport.

If you ever need to return a product for repair or maintenance, you should return it in its original shipping carton and packing materials, or materials of the same standard. To avoid fluid leakage during shipping, place the carton on a small pallet and secure the carton to the pallet with the use of straps (min 2 straps). Remember, even with an empty tank, fluid leakage may occur due to fluid remains in the tank and haze filter.

NOTE: If a returned machine requires extra cleaning due to fluid leakage during transport, the owner will be charged for the extra labour required and/or replacement of damaged parts due to fluid leakage. This is not covered by warranty.

To protect the machine during transport, always ensure the machine is transported upright at all times!

9.2 Limited Warranty

Unless otherwise stated, Swefog products are covered by a 12 months parts and labour limited warranty. Note that local variations may apply.

Warranty will be invalid if the Swefog machines have been misused, used with non-original fluids, modified, repaired or used in non-compliance with instructions given in this manual.

It is the owner's responsibility to furnish receipts or invoices for verification of purchase, date and dealer or distributor. If purchase date cannot be provided, date of manufacture will be used to determine warranty period.

Returning an item for repair covered by warranty:

- Follow instructions above how to pack and ship a unit for repair.
- Always include with your machine:
- Detailed description on problem, how it occurs, etc. Everything that will help our service department to re-create the problem and repair the faulty parts.
- If warranty is claimed, include copy of purchase invoice / receipt. The document must include purchase date, machine's serial number and buyer's name. On Swefog's request, purchase document must be able to verify by distributor.
- Transport costs for the returned units are not covered by the warranty and will henceforth be at the cost of the sender.

Under no circumstances will freight collect shipments be accepted. Customer is aware of that normal wear-out parts & components are not covered by warranty.

Warranty service will be performed as below:

- Faulty parts will be replaced or repaired on manufacturer's decision.
- Faulty units must be returned to retailer.

Swefog Technology Group AB shall not be liable for any indirect, incidental or consequential damage, including lost profits, sustained or incurred in connection with any product or caused by product defects or partial or total failure of any product regardless of the form of action, whether in contract, tort (including negligence), strict liability, or otherwise and whether or not such damage was foreseen or unforeseen.

9.2 Unlimited support:

Swefog will be glad to provide unlimited helpdesk for your machine's entire life! Most FAQ are answered on our website, together with service manuals. You are always welcome to contact us for technical and service matters; contact information see website. When contacting us in a service matter, always include unit's serial number.

We
Wir
Nous

Swefog Technology Group AB

Address
Anschrift
Adresse

Industrivägen 15
SE - 682 33 FILIPSTAD
Sweden / Schweden / Suède

Declare under our sole responsibility
that the product

Erklären in alleiniger Verantwortung,
dass das Produkt

Declarons sous notre seule responsi-
bilité, que le produit

Name
Name
Nom

Haze generator
Dunstnebelmaschine
Générateur de fumée

Type
Typ
Type

Ultimate 2000 &
Ultimate 3000

Fulfils the requirements of the standard

EN 55014 Part 1 / Teil 1 / Partie 1
(generic emission standard / Generische Emissionsnorm /
norme d'émission générique)

Mit den Anforderungen der Normen
Übereinstimmt

Satisfait aux exigences des norms

EN 55014 Part 2 / Teil 2 / Partie 2
(generic immunity standard / generischer
Immunitätsstandard / norme d'immunité générique)

EN 60335-1
(electrical safety / elektrische Sicherheit / Sécurité
électrique)

Therefore the product fulfills the de-
mands of the following EC-directive

2004 / 108 / EG
Directive relating to electromagnetic compatibility
Richtlinie über die elektromagnetische Verträglichkeit
Directive relatives à la compatibilité électromagnétique

Das Produkt erfüllt somit die
Forderungen der EG-Richtlinie

Le produit satisfait ainsi aux conditions
des directives suivantes de la CE

2006 / 42 / EG
Machinery directive
Maschinenrichtlinie
Directive relative aux machines

Filipstad January 2, 2017


Johan Sundström

Place and date of issue
Ort, Datum der Ausstellung
Lieu et date d'établissement

Name, signature of the director and agent for documentation
Name u. Unterschrift des Geschäftsführers u. Dokumentations-
bevollmächtigten
Nom et signature de la Directeur et Agent
De documentation