



DW FRESNEL™

SKU # DLE064

The new DW Fresnel™ features a 250W 100,000 hour average life dynamic LED engine, 13° to 41° manual zoom, variable color temperature settings (3,200K - 6,000K), no noise thermo-optical cooling, manual and DMX controlled strobe and dimmer, variable dimming curves, flicker free operation for TV and FILM, rotating barn door and gel frame with frost filter, 3 and 5 pin in/out DMX and powerCON in connections, (4) button (3) dial control panel, 320W max power consumption, and a multi-voltage universal auto switching power supply (100-240v).



FEATURES

250W 100,000 Hour Average Life Dynamic LED Engine

Manual Zoom: 13° - 41°

Variable Color Temperature Settings (3,200K - 6,000K)

No Noise Thermo-Optical Cooling Technology

Manual or DMX Controlled Color Temp and Dimming

Variable Dimming Curves

Flicker Free Operation for TV and FILM

Rotating Barn Door, Gel Frame and Frost Filter



PRODUCT SPECIFICATIONS

FEATURES

13° - 41° Manual Zoom
 Variable Color Temperature (3,200 - 6,000K)
 No Noise Thermo-Optical Cooling Technology
 Manual and DMX Controlled Color Temp and Dimming
 Flicker FREE Operation for TV and FILM
 Rotating Barn Door, Gel Frame and Frost Filter

SOURCE

250W Dynamic White LED Engine
 100,000 Hour Average Life

PHOTOMETRIC DATA

Lens Dia: 7" (175mm) HIGH CRI = >90 / up to 8,716 lm
 28,520 LUX 2650 FC @8.2' (2.5M) (13° Full On 4,800K)
 2,742 LUX 255 FC @8.2' (2.5M) (41° Full On 4,800K)

EFFECTS

Variable Strobe Settings (1-18 fps)
 Electronic Dimming (0% - 100%)
 Variable Dimming Curves

CONTROL / CONNECTIONS

(4) Button and (3) Dial Control Panel LCD Menu Display
 Manual or DMX Controlled Color Temp and Dimming
 3 DMX Channels Modes (2 / 3 / 8)
 3 and 5 pin DMX In/Out
 powerCON Power In

SIZE / WEIGHT

Length: 23.4" (595 mm)
 Width: 10.4" (264 mm)
 Height: 17.8" (453 mm)
 Weight: 24.0 lbs. (10.9 kg)

ELECTRICAL / THERMAL

AC 100-240V - 50/60Hz
 320W Max Power Consumption
 14° to 113°F (-10° to 45°C)

APPROVALS / RATINGS

CE | cETLus | IP20

INSTALLATION

Rigging: Clamp or Stand (Not Included)
 Working Position: Any (360°)

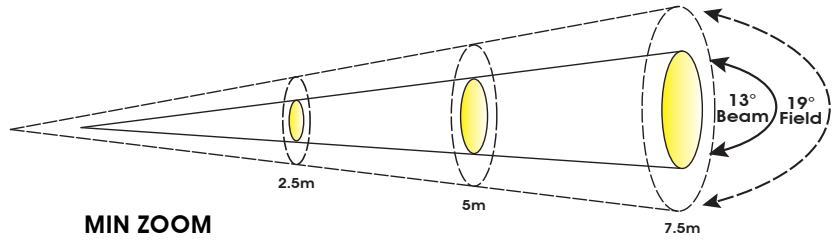
INCLUDED ITEMS

- (1) Rotating Barn Door, Gel Frame and Frost Filter
- (1) powerCON Cable
- (1) 3pin XLR Cable
- (3) Safety Cables

OPTIONAL ACCESSORIES

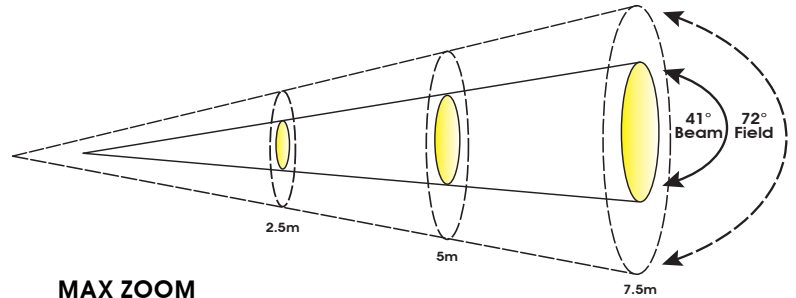
ORDER CODE	ITEM
TRIGGER CLAMP	Heavy Duty Wrap Around Hook Clamp
** pending **	Flight Case For DW Fresnel
AC3PDMX10PRO	10 ft. (3m) 3pin PRO DMX Cable
AC3PDMX25PRO	25 ft. (7.5m) 3pin PRO DMX Cable
AC3PDMX50PRO	50 ft. (15.2m) 3pin PRO DMX Cable
AC5PDMX10PRO	10 ft. (3m) 5pin PRO DMX Cable
AC5PDMX25PRO	25 ft. (7.5m) 5pin PRO DMX Cable
AC5PDMX50PRO	50 ft. (15.2m) 5pin PRO DMX Cable

PHOTOMETRIC DATA



MIN ZOOM

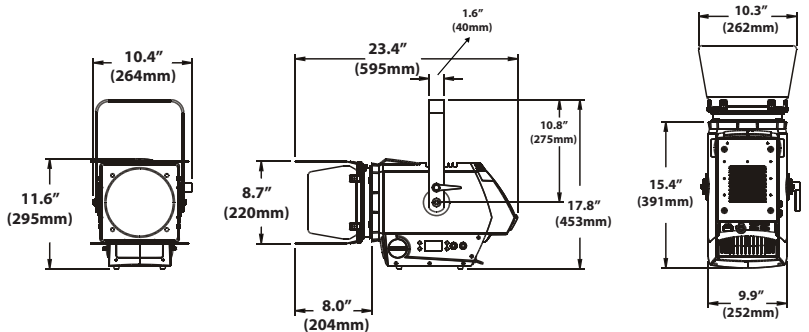
	Distance	2.5 m	8.2 ft	5 m	16.4 ft	7.5 m	24.6 ft
13° Beam Diameter		0.55	1.8	1.1	3.6	1.65	5.4
19° Field Diameter		0.85	2.8	1.7	5.6	2.55	8.4
		lux	fc	lux	fc	lux	fc
FULL ON		28,520	2,650	7,410	688	3,519	327
COOL WHITE		15,960	1,483	4,315	401	2,029	188
WARM WHITE		12,730	1,183	3,441	320	1,594	148



MAX ZOOM

	Distance	2.5 m	8.2 ft	5 m	16.4 ft	7.5 m	24.6 ft
41° Beam Diameter		1.86	6.1	3.72	12.2	5.58	18.3
72° Field Diameter		3.6	11.8	7.2	23.6	10.8	35.4
		lux	fc	lux	fc	lux	fc
FULL ON		2,742	255	791	73	395	37
COOL WHITE		1,550	144	447	42	219	20
WARM WHITE		1,232	114	359	33	174	16

DIMENSIONAL DIAGRAMS



Specifications are preliminary and subject to change without notice ©Elation Professional | 06.26.15

