

VARI\***LITE**

# VL6000 BEAM



Designed specifically as the market-leading mid-air effects fixture, the Vari-Lite VL6000 Beam sets a new standard in its class.

A large 356mm (14inch) front aperture – using a new exclusive ellipsoid reflector array system – produces a retro style searchlight effect, with a high output tight collimated shaft of light at 6.4°, which exceeds 55,000 lumens.

Its lightweight robust construction and stylish compact design, allows the fixture to transport and install easily, while its visual effects and weather guarded design – for limited protection from rain – offer something versatile and truly spectacular for arena applications.

The exclusive cloaked transition generator system can be used to create auto-timed fades between color combo to reduce programming time in transitioning colors.



# VL6000 BEAM

## FEATURES & BENEFITS

- Static dynamic color system allows the VL6000 Beam to maintain its highest output at all times and gives the operator 18 direct colors from 3 color wheels as well as color mixing to achieve up to 55 full color combinations and endless split color effects.
- Produces a high output, tight collimated shaft of light at 6.4° and 55,000 lumens.
- The exclusive cloaked transition generator system can be used to create auto-timed fades between color combo to reduce programming time in transitioning colors.
- Aerial beam and image projection system consists of a variable iris reducing the 6.4° to near 1° beam angle, mid-air and projected images area produced via 7 interchangeable fully rotatable and indexable gobos, the edge sharpness and image appearance can be further adjusted via the dedicated focus channel.
- Cloud search mode allows the fixture to be operated without the need of a control console for stand alone applications.
- Includes 1500W short Arc lamp.

# VARI\***LITE**

## VL6000 BEAM

### SOURCE

<b>Lamp cap</b>	PGJX50 - FastFit
<b>Wattage</b>	1500W

### OPTICAL PERFORMANCE

<b>Lumen output (max.)</b>	55,000
<b>Color temperature</b>	6300K / 7000K depending on lamp
<b>CRI / Ra</b>	>80

### BEAM

<b>Beam angle</b>	6.4°
-------------------	------

### IMAGING

<b>Gobo / effects</b>	1 x 7 + open index / rotating wheel
<b>Dimmer</b>	Mechanical glass wheel
<b>Strobe</b>	Dual independent strobe blades

### BEAM SOFTENING

<b>Flag 1</b>	Medium frost
---------------	--------------

### COLOR

<b>Color system</b>	3 x 6 + open color wheel Color scroll and CTG effects system
---------------------	---

### MOVEMENT

<b>Pan</b>	540°
<b>Tilt</b>	242°

### COOLING

<b>Fan</b>	Yes
<b>Studio mode</b>	No

### POWER

<b>Range</b>	200-240VAC, 50/60Hz
<b>Power In - Thru</b>	Input only
<b>Connector type</b>	TrueOne PowerCON black / yellow
<b>Max wattage</b>	2140W

### DATA CONNECTIONS

<b>DMX (RDM)</b>	5Pin XLR In and Thru
------------------	----------------------

### DATA PROTOCOLS

<b>DMX (RDM)</b>	Mode 1 - 23 channels (default mode)
------------------	-------------------------------------

## VL6000 BEAM

### PHYSICALS

<b>IP rating</b>	IP22
<b>Finish</b>	Black
<b>Construction</b>	Metal frame, engineering plastic covers

### ENVIRONMENT

	°C	°F
<b>Operating temp non-condensing</b>	-20-50°	-4-122°
<b>Operating temp condensing</b>	33-50°	91-122°
<b>IP rating</b>	IP22	

### DIMENSIONS

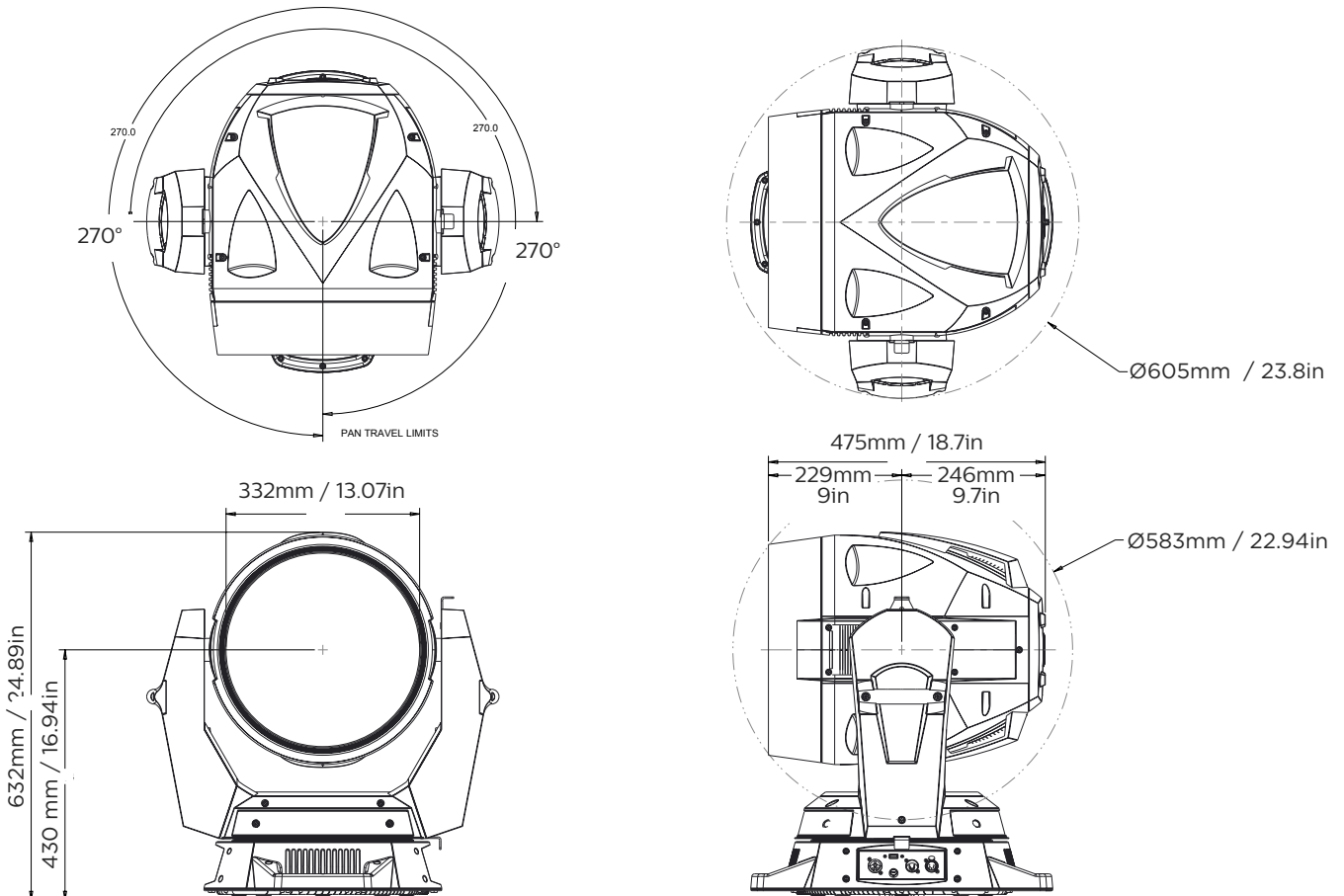
	mm	in
<b>L x H x W</b>	660 x 605 x 600	25.94 x 23.80 x 24
<b>Hanging centers</b>	622	24.5

### WEIGHT

	kg	lb
<b>Weight</b>	28	61.5

### WARRANTY & APPROBATION

<b>Warranty</b>	2 years
<b>Approvals / listings</b>	CE, ETL, UL, FCC CSA, RoHS, ISO 9001

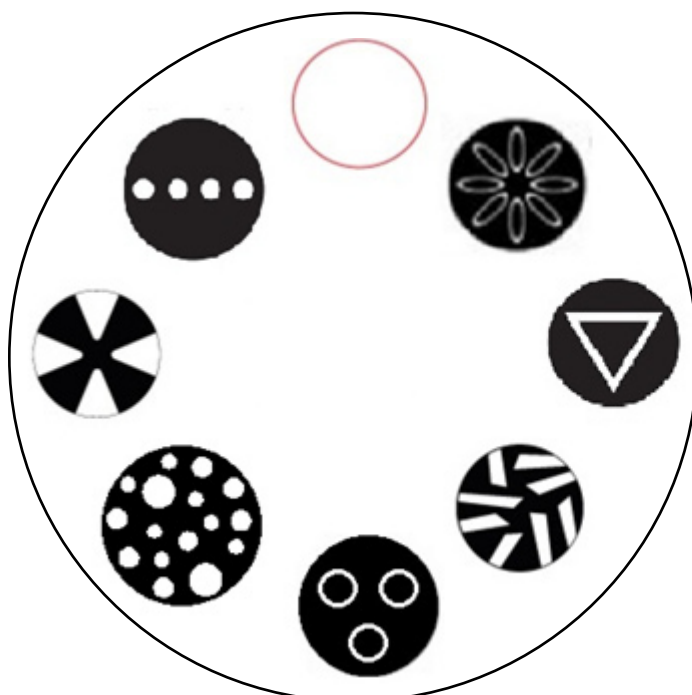


## VL6000 BEAM

VL6000 BEAM	ORDER CODE
Vari-Lite VL6000 Beam includes 1500W Short Arc lamp, rails and input power PowerCon connector (TrueOne)	<b>20.9780.0001</b>
Luminaire programming kit	<b>PEGASUS</b>

### PRE-LOADED GOBO WHEEL

Position 0	Open
Position 1	Circle of ovals
Position 2	Medium triangle
Position 3	Chopped
Position 4	Tri cone
Position 5	Ballz
Position 6	Blades
Position 7	4-hole ray



© 2018 Signify Holding. All rights reserved.

All trademarks are owned by Signify Holding or their respective owners. The information provided herein is subject to change, without notice. Signify does not give any representation or warranty as to the accuracy or completeness of the information included herein and shall not be liable for any action in reliance thereon. The information presented in this document is not intended as any commercial offer and does not form part of any quotation or contract, unless otherwise agreed by Signify. Data subject to change.

Ref: 20.9780.0001-SpecSheet-01