



## CUEPIX BLINDER WW2™

SKU# CUE265

The new CUEPIX Blinder WW2™ features (2) long life 100W Warm White 3,200K COB LEDs, a 60° beam angle, RDM (Remote Device Management), individual control of each COB module including manual pan focus, variable and selectable dimming curves, strobe effects, flicker free operation for TV and Film, 3pin and 5pin DMX and powerCon in/out connections, LCD menu display with 4 button control panel, integrated rigging bracket, and a multi-voltage universal auto switching power supply (100-250v).

### FEATURES

**2 x 100W Warm White 3,200K COB LEDs**

**100,000 Hour Rated Life LEDs**

**60° Beam Angle - 80° Field Angle**

**RDM (Remote Device Management)**

**Individual COB Module Control Including Pan Focus**

**Variable Dimming Curve Modes**

**Strobe Effect**

**Flicker Free Operation for TV and FILM**



**PRODUCT SPECIFICATIONS**

**FEATURES**

High Power Long Life Warm White COB LEDs  
 60° Beam Angle - 80° Field Angle  
 Individual Control of Each COB Module  
 5 Variable Dimming Curve Modes  
 RDM (Remote Device Management)  
 Flicker FREE Operation for TV and FILM

**SOURCE**

(2) 100W Warm White 3,200K COB LEDs  
 100,000 Hour Average Life

**PHOTOMETRIC DATA**

5,900 LUX 548 FC @3.3' (1m) (60°Full ON)  
 1,370 LUX 127 FC @6.6' (2m) (60°Full ON)  
 635 LUX 59 FC @9.8' (3m) (60°Full ON)  
 396 LUX 37 FC @13.1' (4m) (60°Full ON)  
 264 LUX 25 FC @16.4' (5m) (60°Full ON)

**EFFECTS**

Strobe  
 Variable Dimming Curves

**CONTROL / CONNECTIONS**

4 DMX Channel Modes (1 / 2 / 3 / 4)  
 4 Button Control Panel and LCD Menu Display  
 3pin and 5pin DMX In/Out  
 RDM (Remote Device Management)  
 powerCON Power In/Out

**SIZE / WEIGHT**

Length: 18.8" (478 mm)  
 Width: 7.1" (181.2 mm)  
 Horizontal Height: 10.2" (259.4 mm)  
 Weight: 11.2 lbs. (5.1 kg)

**ELECTRICAL / THERMAL**

AC 100-240V - 50/60Hz  
 229W Max Power Consumption  
 Power Linking: 5pcs @110V / 11pcs @220V  
 -14°F to 113°F (-10°C to 45°C)

**APPROVALS / RATINGS**

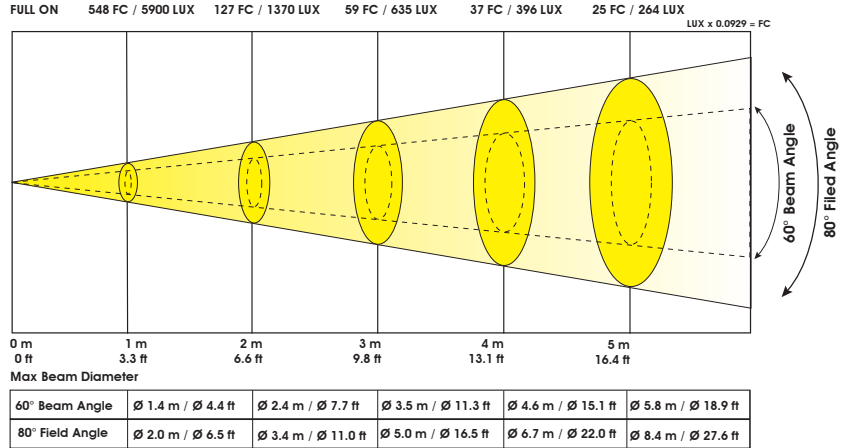
CE | IP20



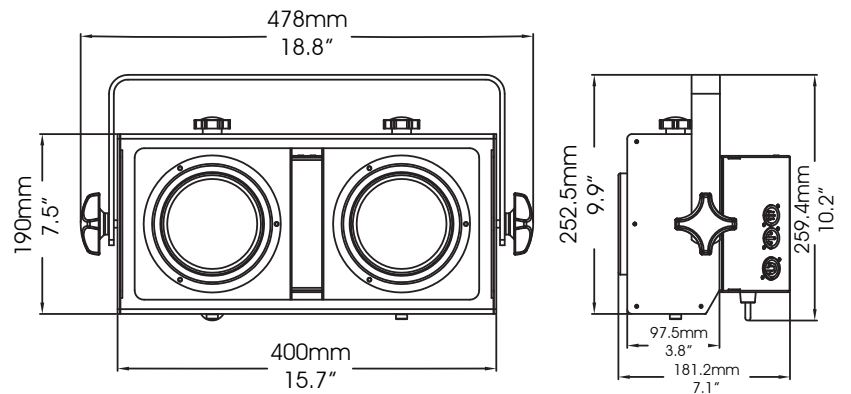
**INCLUDED ACCESSORIES**

(1) powerCON Cable

**PHOTOMETRIC DATA**



**DIMENSIONAL DIAGRAM**



**OPTIONAL ACCESSORIES**

ORDER CODE	ITEM
TRIGGER CLAMP	Heavy Duty Wrap Around Hook Style Clamp
EWDMSYSTEM	Wireless DMX System (1 Transmitter, 1 Receiver)
EWDMXT	Wireless DMX Transmitter
EWDMXR	Wireless DMX Receiver
PLC3	3' (1m) PowerCON PRO Link Cable
PLC6	6' (1.8m) PowerCON PRO Link Cable
AC3PDMX5PRO	5 ft. (1.5m) 3pin PRO DMX Cable
AC5PDMX5PRO	5 ft. (1.5m) 5pin PRO DMX Cable
	Additional Cable Lengths Available

