



## RAYZOR 360Z™

The RAYZOR 360Z™ is a brilliant compact beam moving effect luminaire with (3) 60W Osram™ RGBW LEDs. Features include 4° to 60° motorized zoom, fast and precise 16-bit continuous full 360° pan and tilt rotation, full pixel control, adjustable color temperature (2,700K - 8,000K), electronic strobe, dimmer, and variable dimming curve effects, DMX, RDM (Remote Device Management), Art-NET, and sACN protocol support, 5pin XLR, RJ45 etherCON, and powerCON TRUE1 in/out connections, (7) button control full color 180° reversible menu display, multiple unit power linking, flicker free operation for TV and FILM, and a multi-voltage universal auto switching power supply (100-240v).



### FEATURES

**Compact Beam Moving Effect Luminaire with Zoom**

**(3) 60W Osram™ RGBW LEDs**

**4° to 60° Motorized Zoom and Full Pixel Control**

**Fast and Precise 16-Bit Continuous 360° Pan/Tilt Rotation**

**8 Color Presets and 8 Chase Macros**

**Linear Color Temperature Presets (2,700 - 8,000K)**

**Electronic Strobe and Variable Dimming Curve Effects**

**Flicker Free Operation for Broadcast TV and FILM**

**Adjustable Refresh Rate Frequency and GAMMA**

**DMX, RDM, and Art-NET, sACN Protocol Support**



**SPECIFICATIONS**

**SOURCE**

(3) 60W Osram™ RGBW LEDs  
50,000 Hour Average LED Life\*

\*LED Life may vary depending on several factors including but not limited to:  
Environmental Conditions, Power/Voltage, Usage Patterns (On-Off Cycling), Control and Dimming.

**PHOTOMETRIC DATA**

23,497 LUX 2,183 FC @6.6' (2m) (Min Zoom) Full ON  
984 LUX 91 FC @6.6' (2m) (Max Zoom) Full ON

**EFFECTS**

4° - 60° Beam Angle Zoom  
Linear Color Temperature Presets (2,700 - 8,000K)  
RGBW Color Mixing and Pixel Control  
8 Color Presets and 8 Chase Macros  
Electronic Strobe and Variable Dimming Curves

**COLOR**

RGBW

**CONTROL / CONNECTIONS**

(3) DMX Channel Modes (20 / 26 / 32)  
360° Continuous Pan and Tilt Movement  
Adjustable Refresh Rate (900-25,000 Hz)  
Adjustable Gamma Brightness (2.0, 2.2, 2.4, 2.8)  
(6) Button Touch Control Panel  
8 / 16 Bit Resolution Adjustable Movement  
Full Color 180° Reversible LCD Menu Display  
5pin XLR DMX In/Out  
RDM (Remote Device Management)  
RJ45 etherCON In/Out (Art-NET, sACN)  
powerCON TRUE1 Power In/Out

**SIZE / WEIGHT**

Length: 11.0" (280.6mm)  
Width: 7.9" (199.5mm)  
Vertical Height: 16.6" (422.1mm)  
Weight: 17.0 lbs. (7.7 kg)

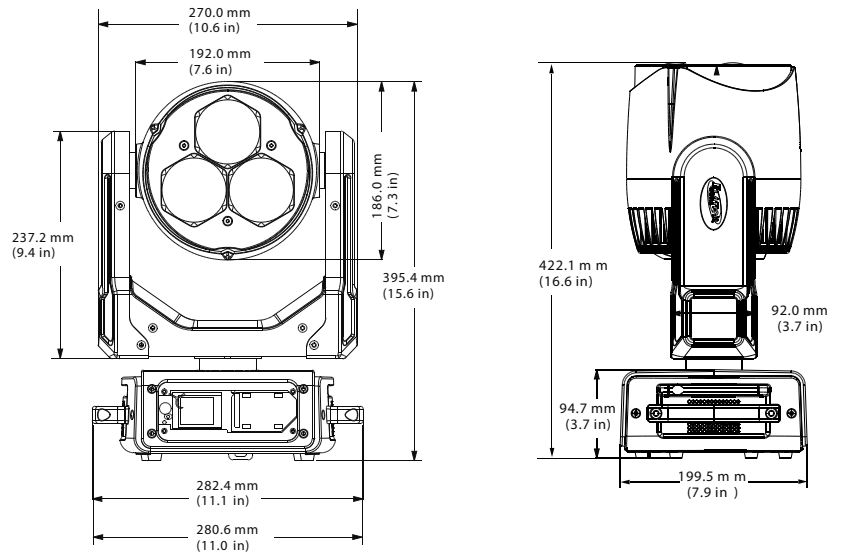
**ELECTRICAL / THERMAL**

AC 100-240V - 50/60Hz  
300W Max Power Consumption  
5F to 113°F (-15°C to 45°C)

**APPROVALS / RATINGS**



**DIMENSIONAL DRAWINGS**



**ORDERING INFORMATION**

PRODUCT ORDER CODE	
RAY552	RAYZOR 360Z
OPTIONAL ACCESSORIES ORDER CODES	
DRCZ360Z	4-Pack Road Case for RAYZOR 360Z
TRIGGER CLAMP	Heavy Duty Wrap Around Hook Style Clamp
AC5PDMX5PRO	5 ft. (1.5m) 5pin PRO DMX Cable
CAT005	5' (1.5m) CAT6 etherCON Cable
NEU088	3' (1m) PowerCON TRUE1 PRO Link Cable
	Additional cable lengths available

Specifications are subject to change without notice ©Elation Professional 02/04/19



Elation Professional USA | 6122 S. Eastern Ave. | Los Angeles, CA. 90040  
323-582-3322 | 323-832-9142 fax | www.elationlighting.com | info@elationlighting.com

Elation Professional B.V. | Junostraat 2 | 6468 EW Kerkrade, The Netherlands  
+31 45 546 85 66 | +31 45 546 85 96 fax | www.elationlighting.eu | info@elationlighting.eu