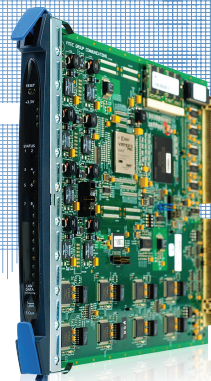


E-Que-HX Interface Card

For Eclipse® HX Matrix Systems

Linking
People
Together



E-Que-HX Interface Card



Rear Panel

Key Features and Benefits

- Connectivity for FreeSpeak II
- Up to 50 wireless FreeSpeak II beltpacks
- For use with Eclipse HX Card Frames: HX-Omega, HX-Median and HX-Delta
- Up to 4 cards supported in HX-Delta and HX-Median frames; Up to 6 cards supported in HX-Omega with restrictions
- Up to 200 pre-set beltpack user roles defined in EHX software
- Full-duplex 7kHz commentator bandwidth
- Up to 10 antennas can be connected to each E-QUE-HX card
- Supports legacy CellCom/FreeSpeak beltpacks

The E-Que-HX interface frame card provides seamless connection for FreeSpeak II Digital Wireless.

Description

The E-Que-HX card is a six rack unit (6RU) interface frame card that provides seamless connection for digital wireless communication. The E-Que-HX card provides connectivity between the FreeSpeak II Transceiver channels and ports within the matrix system, creating a truly seamless communications environment. Up to 4 E-Que-HX cards can be used in an Eclipse HX-Delta or HX-Median frame, and up to 6 cards in an Eclipse HX-Omega frame.

Wireless Connectivity

As a wireless controller, a single E-Que-HX card enables up to 50 1.9GHz beltpacks, up to 40 2.4GHz beltpacks, or a maximum of 50 beltpacks in any mix. They share the same matrix resources and labels as operator panels. All system-wide conferences, groups and IFBs can be assigned to beltpack keys. Alternatively, external interfaces such as the CCI-22, FOR-22 and logic controls can be assigned to the beltpack keys. The E-Que-HX card can alternatively support up to 40 CellCom/FreeSpeak beltpacks, which have been updated to the latest EHX software.*

E-Que-HX Interface Card

Eclipse® HX Matrix Interface for Clear-Com

Technical Specifications

Maximum cards per frame: 4 (6 in HX-Omega with restrictions)
Beltpacks per card: 50 FSII 1.9GHz, 40 FSII 2.4GHz, 40 CellCom/FreeSpeak
Audio Passband: 100Hz - 7kHz
G.722 Codec: 16kHz sample rate (@64kb/s)
Connectivity: CAT5
Maximum Active Antenna Support: 10 per card
Power (combined cards): +3.3V, 3.5A; +5V, 0.7A; +12V, 0.05A

Environmental

Operating Temperature: 32°F - +104°F (0°C - +40°C)
Storage Temperature: -67°F - +158°F (-55°C - +70°C)
Operating Humidity: 40 - 90%, non-condensing

Dimensions

Front Card: 6RU H x 11.8in D (6RU H x 300mm D)
Rear Card: 6RU H x 2.3in D (6RU H x 58mm D)

Weight

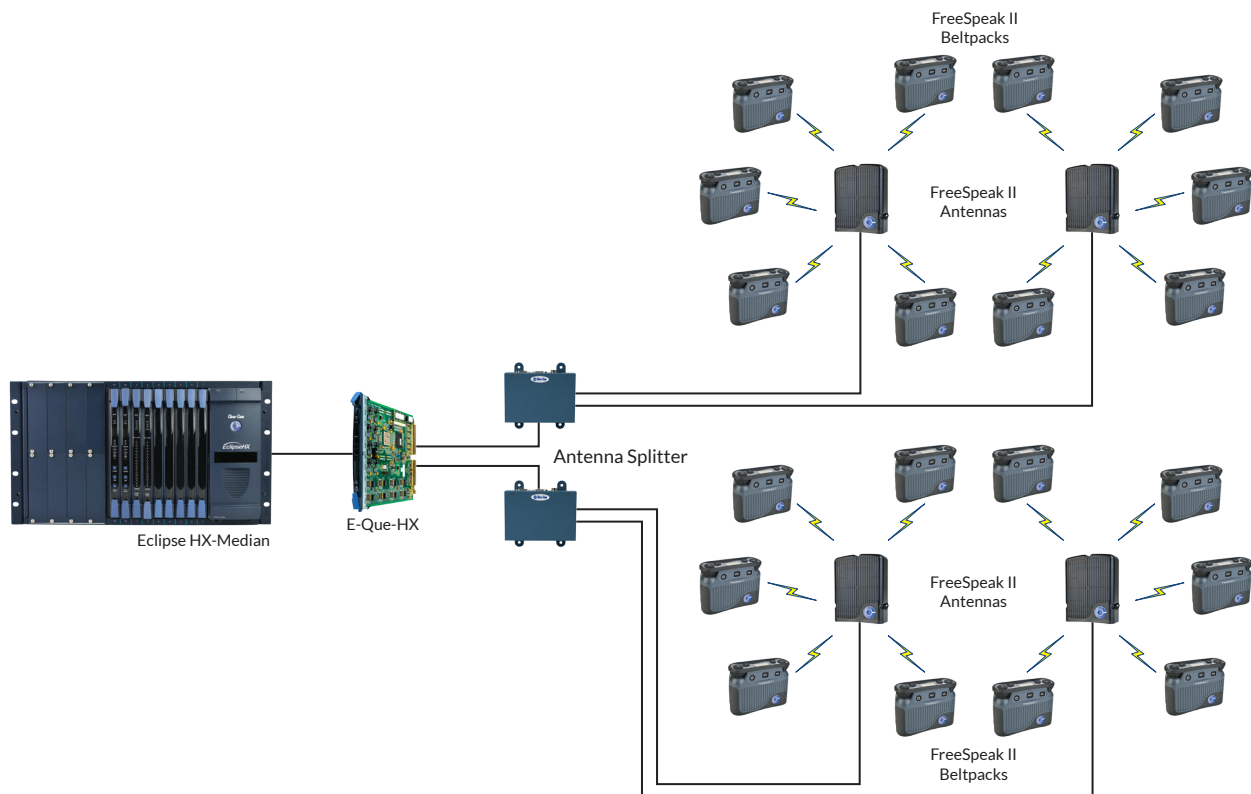
2.14 lbs (0.97 kg)

Order Codes

Part Number and Description

E-QUE-HX

E-Que-HX Card Supporting FreeSpeak II Beltpacks



Notice About Specifications

While Clear-Com makes every attempt to maintain the accuracy of the information contained in its product manuals, that information is subject to change without notice. Performance specifications included in this manual are design-center specifications and are included for customer guidance and to facilitate system installation. Actual operating performance may vary.