



## SIXBAR 500™

SKU# SIX074

The new SIXBAR 500™ features (6) 12W 6-IN-1 RGBAW+UV LEDs, 30° beam angle, individual control of each LED, variable dimming curve modes, strobe and chase effects, a UV wavelength of 395nm, ArtNet, KlingNet and RDM (remote device management) protocol support, 3pin and 5pin DMX, powerCon, and RJ45 in/out connections, LCD menu display with 4 button control panel, integrated dual rigging brackets, multiple unit power linking, rugged die-cast aluminum exterior, flicker free operation for TV and FILM, 93W max power consumption, and a multi-voltage universal auto switching power supply (110-240v).



### FEATURES

**6 x 12W 6-in-1 RGBAW+UV LEDs**

**30° Beam Angle**

**UV Wavelength 395nm**

**ArtNet and KlingNet Protocol Support**

**RDM (Remote Device Management)**

**Individual Control of Each LED**

**Variable Dimming Curves**

**Strobe and Zone Chase Effects**

**Integrated Dual Rigging Brackets**

**Multiple Unit Power Linking**

**Rugged Die-Cast Aluminum Exterior**

**Flicker Free Operation for TV and FILM**



**Frost Filter and Glare Shield Included**

Specifications are subject to change without notice ©Elation Professional 05/12/16

Elation Professional USA | 6122 S. Eastern Ave. | Los Angeles, CA. 90040  
323-582-3322 | 323-832-9142 fax | www.elationlighting.com | info@elationlighting.com

Elation Professional B.V. | Junostraat 2 | 6468 EW Kerkrade, Netherlands  
+31 45 546 85 66 | +31 45 546 85 96 fax | www.elationlighting.eu | info@elationlighting.eu

**PRODUCT SPECIFICATIONS**

**SOURCE**

(6) 12W 6-in-1 RGBAW+UV LEDs  
100,000 Hour Average LED Life\*

\*LED Life may vary depending on several factors including but not limited to: Environmental Conditions, Power/Voltage, Usage Patterns (On-Off Cycling), Control and Dimming.

**PHOTOMETRIC DATA**

6,500 LUX 604 FC @3.3' (1m) (30° Full ON)  
1,934 LUX 180 FC @6.6' (2m) (30° Full ON)  
901 LUX 84 FC @9.8' (3m) (30° Full ON)  
508 LUX 47 FC @13.1' (4m) (30° Full ON)  
318 LUX 30 FC @16.4' (5m) (30° Full ON)

**EFFECTS**

Strobe and Chase Effects  
Individual LED Control  
Variable and Selectable Dimming Curves

**CONTROL / CONNECTIONS**

8 DMX Channel Modes (6 / 7 / 11 / 13 / 18 / 36 / 39 / 43)  
4 Button Control Panel and LCD Menu Display  
ArtNet + KlingNET Protocol Support  
RDM (Remote Device Management)  
(2) etherCON Ports  
3pin and 5pin DMX In/Out  
powerCON Power In/Out

**SIZE / WEIGHT**

Length: 17.7" (450mm)  
Width: 8.1" (206.4mm) \*with included shield  
Vertical Height: 6.1" (155mm)  
Weight: 9.0 lbs. (4.1 kg)

**ELECTRICAL / THERMAL**

AC 110-240V - 50/60Hz  
93W Max Power Consumption  
Power Linking: 11pcs @110V / 25pcs @240V  
5°F to 113°F (-15°C to 45°C)  
UV Wavelength: 395nm

**APPROVALS / RATINGS**

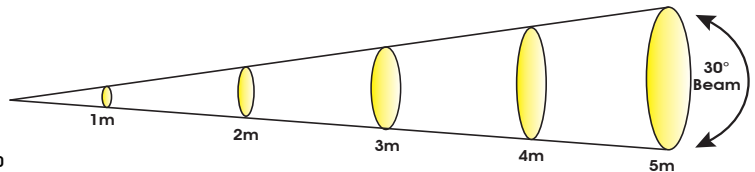
CE | cETLus | IP20



**INCLUDED ITEMS**

powerCON Cable  
Frost Filter  
Glare Shield

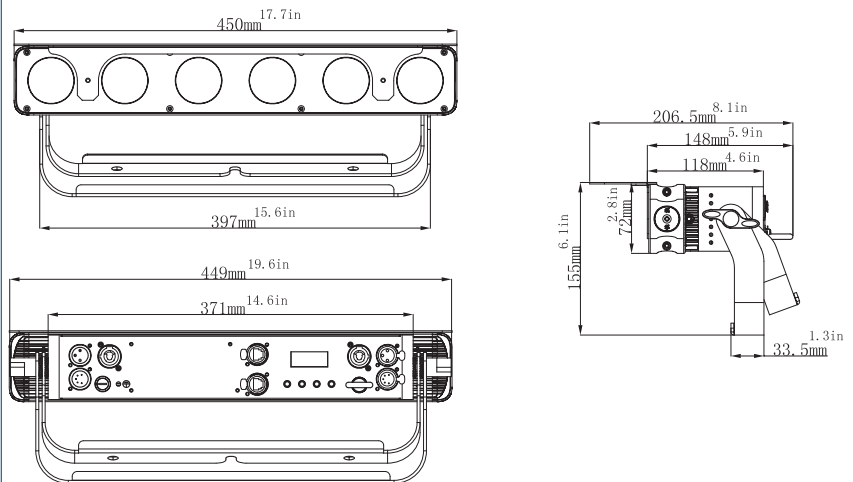
**PHOTOMETRIC DATA**



SIXBAR 500

Distance	m		ft		m		ft		m		ft		m		ft	
	1	3.3	2	6.6	3	9.8	4	13.1	5	16.4	30° Beam Diameter					
30° Beam Diameter	0.52	1.7	1.05	3.4	1.58	5.2	2.13	7.0	2.66	8.7						
Photometrics	lux	fc	lux	fc	lux	fc	lux	fc	lux	fc	lux	fc	lux	fc	lux	fc
RED LEDs	590	55	200	19	104	10	56	5	40	4						
GREEN LEDs	1,141	106	330	31	179	17	109	10	66	6						
BLUE LEDs	1,180	110	340	32	190	18	110	10	72	7						
WHITE LEDs	1,412	131	440	41	230	21	129	12	88	8						
AMBER LEDs	520	48	158	15	84	8	49	5	35	3						
UV LEDs	285	26	79	7	44	4	26	2	14	1						
FULL ON	6,500	604	1,934	180	901	84	508	47	318	30						

**DIMENSIONAL DIAGRAMS**



**OPTIONAL ACCESSORIES**

ORDER CODE	ITEM
TRIGGER CLAMP	Heavy Duty Wrap Around Hook Style Clamp
EWDMSYSTEM	Wireless DMX System (1 Transmitter, 1 Receiver)
EWDMXT	Wireless DMX Transmitter
EWDMXR	Wireless DMX Receiver
AC3PDMX5PRO	5 ft. (1.5m) 3pin PRO DMX Cable
AC5PDMX5PRO	5 ft. (1.5m) 5pin PRO DMX Cable
PLC3	3' (1m) PowerCON PRO Link Cable
CAT005	5' (1.5m) CAT6 Ethercon Cable
	Additional cable lengths available

