



intellipix XT

USER MANUAL V.1

ENGLISH VERSION
08 2016



AYRTON
Digital Lighting

SUMMARY

4	Introduction
4	Safety instructions
4	Conditions of use
5	Presentation and features
6	Dimensions
6	Description
7	Installation instructions
7	Installation method using truss hooks
7	DMX512 connection
8	Control Panel
8	MagicBlade R control panel menu - Option details
12	Master/Slave Mode settings
13	DMX Chart
14	Error Messages
14	Care and maintenance
14	Technical Specifications
15	Warranty

INTRODUCTION

Thank you for selecting the AYRTON INTELLIPIX XT luminaire.

WARNING !

This product is not suitable for household use.

You now own a professional lighting unit that offers endless possibilities. Before installing, make sure that no damage was done to your luminaire during transport. If this is the case, do not use the product and immediately contact your authorized AYRTON dealer.

For your own safety and that of others, please read this instruction manual carefully before installing the unit.

Anyone involved in installing, operating or servicing the INTELLIPIX XT must:

- Be a qualified, authorized professional
- Strictly follow the instructions in this user manual.

Please take the time to read this manual carefully and thoroughly before installing and operating the luminaire. You should have a good knowledge of its operating conditions and all pertinent product information.

After you have become familiar with this manual, we recommend that you keep a copy for future use. All the information found in this manual is subject to change without notice. AYRTON reserves the right to modify and upgrade its range of products, with no obligation to integrate these changes into products already sold.

SAFETY INSTRUCTIONS

Please read the safety instructions and warnings in this manual carefully before installing and operating the INTELLIPIX XT.

WARNING!

Risk of electric shock.

Use caution when handling. This luminaire requires high voltage, which can result in electric shock.

The INTELLIPIX XT left our factory in perfect working condition. However, if you notice a defect, immediately contact your authorized AYRTON dealer before use. The manufacturer cannot be held responsible for damages caused by a failure to follow the safety, installation or assembly instructions contained herein, or by any modification made to the luminaire.

Failure to observe the safety, installation or assembly instructions contained herein, or any modification made to the INTELLIPIX XT luminaire will render the warranty null and void.

Check that the supply voltage does not exceed the maximum authorized limit. Check that your electrical installation complies with current standards.

In all cases, make sure that the power cables attached to your INTELLIPIX XT have not been damaged due to cuts and splices or crushed in any way.

Handle these cables with extreme caution while they are connected to a power source.

Your INTELLIPIX XT conforms to Class 1 safety standards. The unit must be grounded electrically. Make sure that the power source connected to your INTELLIPIX XT is switched off before attempting any work on it.

Installation and connection to an electrical source must be performed by an authorized installer. AYRTON declines all responsibility should this luminaire be installed by an unqualified person.

Never disconnect your INTELLIPIX XT by pulling on the power cable! First unlock the connector lock ring on the power cable until it is fully disengaged, and then gently pull on the connector to disconnect the cable.

Do not connect or disconnect the power cable of your INTELLIPIX XT with wet hands.

At first use, your INTELLIPIX XT may give off an odor. This is a normal occurrence that should dissipate after a few minutes of operation.

WARNING!

Do not connect or disconnect the power cable at your INTELLIPIX XT if the cable is energized! This could cause arcing and damage your INTELLIPIX XT, requiring repair.

Be careful to power off your INTELLIPIX XT by removing the power plug from the source, before connecting or disconnecting the luminaire.

WARNING!

This unit contains Class 2 LED emitter (EN60625-1): 1994)

This luminaire uses single high-power (Class 2) LED-type (Light Emitting Diode) lamps. Never look directly into the lamps if lit or stand directly in line with the luminaire if close by.

Installation, removal or replacement of the unit must be performed with power off to prevent any risk of glare and eye injury.

WARNING!

The fixture quickly becomes very hot during operation.

To avoid risk of burn, never handle or adjust the luminaire while it is energized and after it has been lit for more than 10 consecutive minutes. Some parts of the luminaire can reach a high temperature, particularly the body/radiator. Turn off the luminaire and wait for it to cool before handling.

CONDITIONS OF USE

Your INTELLIPIX XT is a static luminaire equipped with multiple LEDs intended for professional use (e.g., architectural, stage, television, theater, or museum lighting).

The INTELLIPIX XT luminaire has an IP20 protection rating. It is intended strictly for indoor use. It must never be partially or fully submerged, even temporarily.

Condensation may form on your INTELLIPIX XT in the following cases:

- Immediately after turning on the heating
- In places with fog or a high level of humidity
- When the luminaire is suddenly moved from a cold to a warm environment, or vice versa.

In such cases, you must wait until the luminaire readjusts to the ambient temperature of the room where it will be installed for operation.

Do not shake the INTELLIPIX XT while installing or handling.

Do not pull the INTELLIPIX XT by one of its cables to move it. Lift the luminaire by its handles.

Choosing the appropriate place to install the INTELLIPIX XT is essential. The following points should be observed:

- Do not expose it to a heat source.
- Do not install it near flammable materials.
- Be sure that dust or miscellaneous debris cannot clump around the body of the luminaire as this may interfere with its optimal cooling and proper operation.
- The INTELLIPIX XT must be installed out of reach of the public and all persons not authorized to operate the luminaire.

Due to the nature of its cooling principle, you should never prevent air from circulating around the body of the luminaire. You must provide a minimum clearance around your INTELLIPIX XT to allow for cooling.

The INTELLIPIX XT can be installed in a ground pit or any other confined enclosure only under certain conditions. With this kind of installation, a system of forced ventilation should be used up to allow air to circulate freely around the luminaire(s). The air must be constantly renewed because the luminaire cannot be operated in closed system. Failure to comply with these requirements may destroy or prematurely wear the INTELLIPIX XT, and AYRTON cannot be held responsible. Please consult your AYRTON dealer for more information on this type of installation.

No load should be placed on the INTELLIPIX XT. The fixture must not be installed in such a way as to allow a person, vehicle or any object to run over or park on it.

Never lay or drop any hard, heavy, or blunt, objects on the INTELLIPIX XT. This includes items made of glass or porcelain (e.g., bottles, dishware, or glass beads). The luminaire is made of materials such as plastic and extruded aluminum, making it resistant but not unbreakable. Objects made of hard materials such as steel or glass that fall on the unit may cause breakage of the plastic parts or the body. AYRTON cannot be held responsible for the luminaire's broken plastic parts or body, which are not covered under warranty.

The temperature of the room where the INTELLIPIX XT is installed must never exceed 45°C (Ta = 45°C).

The INTELLIPIX XT luminaire requires a 100-240 VAC supply voltage. Check that your luminaires have been installed for an application that is compatible with this information.

Check that the brackets on which you hang or attach your INTELLIPIX XT can sustain the weight of the luminaire (15,5 kg), taking into consideration all necessary safety factors.

Do not use your INTELLIPIX XT before being familiar with these recommendations and do not allow unqualified personnel to handle the product.

To transport your INTELLIPIX XT, we strongly recommend that you use the complete original packaging, including the dense protective foam inserts.

If your INTELLIPIX XT is not being used for a long period, you should disconnect the luminaire from the power source.

Never dispose of the INTELLIPIX XT in a rubbish bin. Ensure that it is recycled. Please consult the current legislation in your country on recycling electronic equipment.

PRESENTATION AND FEATURES

INTELLIPIX XT is a non-waterproof moving head wash light (IP20 protection rating) using the latest generation of high-performance of LED-type lamps.

This luminaire can be controlled remotely by an external DMX512 signal.

The INTELLIPIX XT incorporates high power LEDs.

The INTELLIPIX XT has a total of 9 LEDs that can be controlled individually. The luminaire requires from 6 to 45 DMX channels to be controlled via an external command system that sends a DMX512 signal (see below for details).

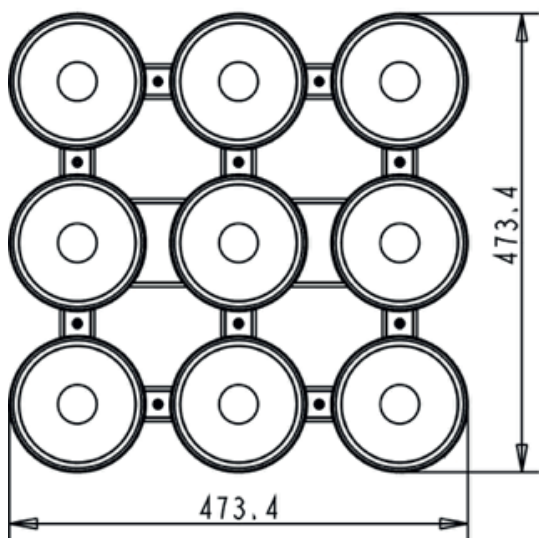
To adjust the settings on the INTELLIPIX XT (i.e., DMX address, DMX operating mode and other options), a Remote Device Management (RDM)-type DMX controller may be required. The DMX RDM protocol is a universal, widely used standard.

There are a multitude of RDM DMX controllers on the market from different manufacturers (excluding AYRTON). It is worth noting that an RDM DMX controller is not required to change the settings on the INTELLIPIX XT. A light console or any standard DMX-type controller is sufficient.

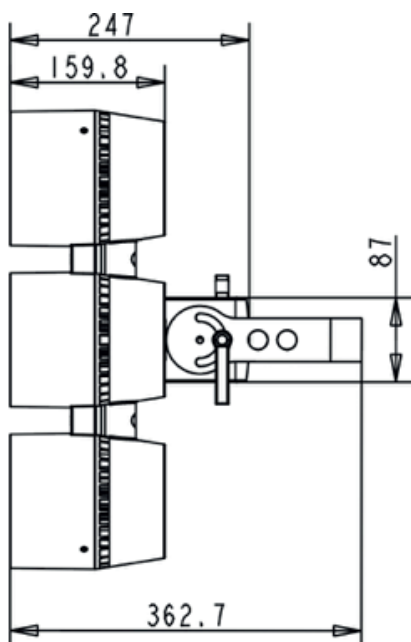
The INTELLIPIX XT consists of a metal frame and plastic covers. The power connectors and DMX512 signal connectors are on the back of the fixture's base.

DIMENSIONS

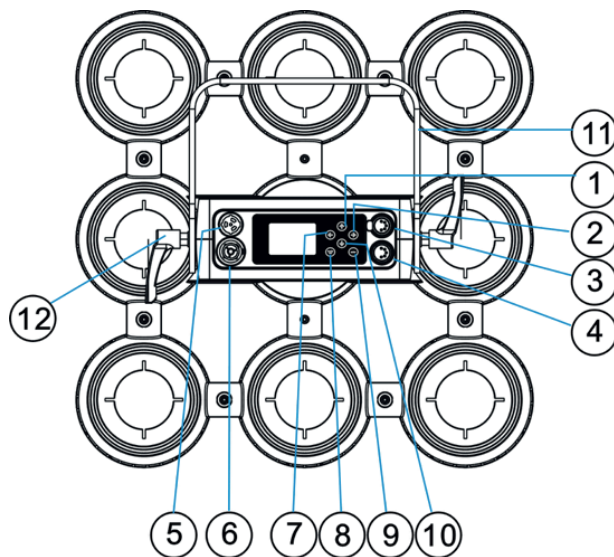
Front view



Side view



DESCRIPTION



1. Up-Button
2. Right-Button
3. DMX Out
4. DMX In
5. Power In
6. Power Out
7. Left-Button
8. Mode/Esc-Button
- 9). Enter-Button
10. Down-Button
11. Fixation screw
12. Mounting

INSTALLATION INSTRUCTIONS

During installation please observe the instructions according to GB7000.15 / EN60598-2-17 standards and other national standards applicable. This luminaire should be installed by a qualified technician.

The fixture should be used in an environment with a temperature between -10°C and +45°C. Do not operate the luminaire outside this temperature range.

The luminaire must be hung so that the weight of this unit multiplied by 10 can be sustained for 1 hour without causing the suspension system or the supporting structure to be deformed.

The installation must always be secured at a second attach point, e.g., by a safety cable of the appropriate size.
Do not stand under the luminaire while it is being installed, dismantled or serviced.

The operator must ensure that a qualified technician has approved the installation of the luminaire for safety before it is first operated.

Installation should be inspected once a year by a qualified technician.

WARNING!

The installation of this luminaire must be validated by a qualified technician before it is used for the first time.

Note:

The luminaire should be installed in a location where the public cannot touch, walk or sit on the luminaire. Suspending the luminaire and/or installing it high up requires considerable experience, e.g., calculating load, selecting and adapting quality fastening materials, and periodically inspecting the entire installation. Without this skill and knowledge, do not attempt to install this unit by yourself. Improper installation may cause an accident resulting in personal injury or death.

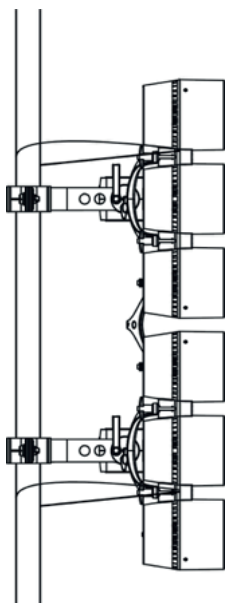
WARNING!

The luminaire should be connected to an electrical source by a qualified electrician.

Before installing the luminaire make sure that the selected installation spot can support at least 10 times the weight of the unit. Connect the luminaire to the power source by the power cord.

INSTALLATION METHOD USING TRUSS HOOKS

Refer to the following diagram when installing the INTELLIPIX XT with truss hooks:



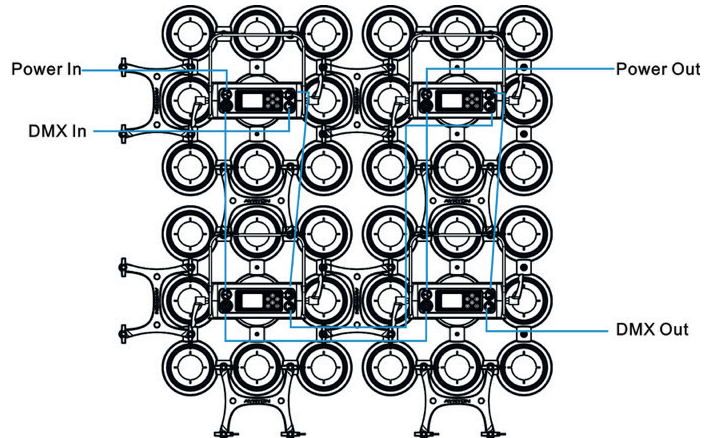
- Attach the clamp to the yoke using an M12 screw.
- Insert the safety cable through the holes at the bottom of the base and the truss or a stable attachment point. Insert the end into the hole and tighten the safety screw.

Note: The last step is very important to ensure that the luminaire does not fall.

DMX512 CONNECTION

Connect the DMX input (XLR connector) cable of the luminaire to the DMX output (female XLR connector) of your controller. You can connect multiple luminaires to this same DMX line in a daisy chain. The DMX cable must be a shielded twisted pair that is equipped with male and female XLR connectors.

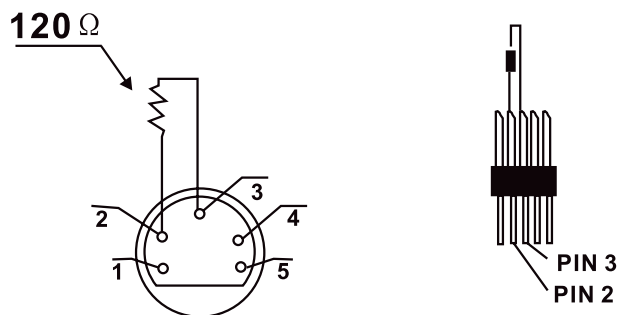
Refer to the following diagram when connecting the INTELLIPIX XT luminaires in a daisy chain:



DMX512 CONNECTION WITH TERMINATION PLUG

For installations where the DMX cable must extend over long distances, or if it is located near areas with major electrical disturbance, it is recommended to use a DMX termination plug. This helps prevent luminaires from malfunctioning due to interference. The DMX termination plug, composed simply of a male XLR input connector with a 120-Ohm resistor, is soldered between pins 2 and 3. This plug must be connected to the DMX output of the last luminaire in the chain.

Refer to the following diagram:



THE INTELLIPIX XT DMX ADDRESS SETTING

All luminaires have a DMX start address correctly set when using a DMX signal to control them. The DMX start address is the channel from which the luminaire “listens” to the digital control information sent by the DMX controller.

The start address must conform to the one recorded on the DMX controller to run the luminaire. This address is the DMX value that appears on the luminaire’s display. You can set the same address for all the luminaires, or

some of them, but you can also set a different address for each luminaire, as needed.

If you do set the same address for all the luminaires, they will all “listen” from the DMX channel you have set. The instructions sent by the DMX controller will affect all luminaires at the same time. If you set a different address per luminaire, the DMX controller can control each independently.


If, for instance, the fixtures are preset in 45 channels DMX mode (required for full control), you will need to adjust the DMX address for the luminaires as follows: The first unit with DMX address 001, the second with DMX address 46 (45 + 1), the third with DMX address 91 (45 + 46), etc.

CONTROL PANEL (MENU OPTIONS)

A large number of settings are accessible from the fixture’s control panel. A good working knowledge of it will enhance the fixture’s possibilities.


You can access the Main Menu by pressing the  key.

Cycling through the menus is performed by pressing the , ,  or  keys, as required:

Press the  key to select the desired menu.

Change the selection by pressing the ,  or ,  keys.

Confirm your selection by pressing the  key.

Exit a menu at any time by pressing the  key.

Notes:

You can return to the display by pressing the  or  keys from the basic display.


If the screen fails to respond, hold the “Mode Esc” key down for at least 3 seconds to free up the display. key down for at least 3 seconds to free up the display.

The fixture’s menu functions are described in the following table:

Address	Set DMX Addr	A001 –A0XX	DMX Main address setting
Mode	User Mode	Stand Mode Basic Mode Extend Mode Pixel Mode User Mode A User Mode B User Mode C	User’s mode to change channel profile
	Edit User A...C	Max channel PAN :	Edit DMX profile User Mode A,B or C
Options	Status	No DMX Mode	Hold Auto Close
	Service PIN	Service PIN RDM PID Set LED BIN Change to BIN	Password=XXX xxxxxx LED B35 LED B36 LED B35 LED B36
	Fans Control	Head Control	Auto Stage Studio
	Disp.Setting	Shutoff Time Key Lock DispFlash	02–60m 05m ON/OFF ON/OFF
	Pixel Order	1 2 3 4 5 6 7 8 9 1 4 7 2 5 8 3 6 9 ...	Set the Pixel order from the FRONT VIEW
	Temp. C/F	Celsius Fahrenheit	Temperature switch between °C/°F
	Trigger	DMX Value Disp. Set To Slave Auto Program	PAN, TILT etc. Slave1, Slave2, Slave3 Master / Alone
	ResetDefault	ON/OFF	Restore factory sett.
Info	Time Info.	Current Time Til Life Hrs Last Run Hrs Timer PIN Clr Last Run	XXXX(Hours) XXXX(Hours) XXXX(Hours) Password=XXX ON/OFF
	Temp. Info	Head Temp.	XXX °C/°F
	Software Ver	V1.0...	Software version
Test	Test Sequence	ALL, Red, Green, Blue, White	Run a Test sequence
	Test Channel	Red, Green, Blue, White	Test each parameter at Full
	Manual Ctrl.	PAN =XXX :	Manual adjustment of parameters
Preset	Select Prog.	Prog. Part 1 = Program 1 ~ 10 Program 1 Prog. Part 2 = Program 1 ~ 10 Program 2 Prog. Part 3 = Program 1 ~ 10 Program 3	Select programs to be run
	Edit Prog.	Program 1 : Program 10	Program Test Step 01=SCxxx Step 64=SCxxx
	Edit Scenes	Edit Scene 001 ~ Edit Scene 250	Pan, Tilt, --Fade Time-- --Secne Time-- Input By Outside
	Scenes Input	XX-XX	Automat. scenes rec

INTELLIPIX XT CONTROL PANEL MENU – OPTION DETAILS

The following section provides details on the options that can be selected through the control panel menu. Refer to the table above.

You can exit this menu at any time by pressing  repeatedly until you return to the home screen.

ADDRESS

SET DMX ADDR

Allows you to change the DMX address from the fixture’s control panel.

- ◆ Access the menu by pressing the “Mode Esc” key.
- ◆ Go to the “ADDRESS” menu and press “Enter”, then find “Set DMX Address.”
- ◆ Use the up/down arrows to scroll through until you locate the desired address and press “Enter” to confirm.

MODE

USERS MODE

Allows you to select the DMX mode from the following: “Basic Mode” (6 DMX channels), “Standard Mode” (13 DMX channels), “Extended Mode” (45 DMX channels), Pixel Mode (36 DMX channels), “User Mode A”, “User Mode B”, “User Mode C.”

- ◆ Access the menu by pressing the “Mode Esc” key.
- ◆ Use the up/down arrow keys to reach the “MODE” menu and press “Enter.” Then from “User Mode” choose one of the 6 modes above. Consult the “CHART DMX” table for more information on Basic, Standard and Extended Mode. “User Modes A”, “B”, or “C” are user-definable.

EDIT USER A, B, C

To customize the mode, go to “MODE” and select “Edit UserMode A, B or C” and press “Enter.” Scroll through each setting and press “Enter” to set the desired address.

OPTIONS

STATUS

No DMX Mode

Defines the fixture’s state when there is no command signal from the DMX controller. The fixture can either launch a program automatically, close the shutter, or even remain in the state when the last DMX values (Hold) were received. The default setting is “Hold.”

- ◆ Access the menu by pressing the “Mode Esc” key.
- ◆ Use the up/down arrow keys to reach the “OPTION” menu and press “Enter.” Then use the left/right arrow keys to select “Status.” Finally, use the left/right arrow keys to select “No DMX Mode.”
- ◆ Scroll through the different options using the left/right arrows and press “Enter” to confirm.

SERVICE PIN

WARNING! For normal operation the “Service pin” menu information should not be changed. Contact your dealer for more information.

Service PIN

Allows you to enter a password to access the advanced options such as RDM PID, Set IP (pwd: 50).

- ◆ Access the menu by pressing the “Mode Esc” key.
- ◆ Use the up/down arrow keys to reach the “OPTION” menu and press “Enter.” Finally, use the left/right arrow keys to select “Service Pin.”
- ◆ Scroll up to “50” using the left/right arrows and press “Enter” to confirm.

RDM PID

Allows you to set the fixture’s RDM PID code.

- ◆ Access the menu by pressing the “Mode Esc” key.
- ◆ Use the up/down arrow keys to access the “OPTION” menu and press “Enter.” Then use the left/right arrow keys to select “Service Pin.” Finally, use the left/right arrow keys to select “RDM PID.”
- ◆ Use the up/down arrow keys to change the value and left/right to move from one number to the next. Press “Enter” to confirm.

Set LED BIN

Allows you to set the model of LED card used in the fixture. The last part of serial number indicates the LED card binning (2 binnings).

- ◆ Access the menu by pressing the “Mode Esc” key.
- ◆ Use the up/down arrow keys to access the “OPTION” menu and press “Enter.” Then use the left/right arrow keys to select “Service Pin.” Finally, use the left/right arrow keys to select “LED BIN.”
- ◆ Use the up/down arrow keys to change the value and left/right to move from one number to the next. Press “Enter” to confirm.

Change to BIN

Allows you to change the model of LED card used in the fixture. The last part of serial number indicates the LED card binning (2 binnings).

- ◆ Access the menu by pressing the “Mode Esc” key.
- ◆ Use the up/down arrow keys to access the “OPTION” menu and press “Enter.” Then use the left/right arrow keys to select “Service Pin.” Finally, use the left/right arrow keys to select “LED BIN.”
- ◆ Use the up/down arrow keys to change the value and left/right to move from one number to the next. Press “Enter” to confirm.

FAN CONTROL

Fans Control

Allows you to choose the fan speed on the fixture head. The options are AUTO, STAGE or STUDIO.

- ◆ Access the menu by pressing the “Mode Esc” key.
- ◆ Use the up/down arrow keys to reach the “OPTION” menu and press “Enter.” Then use the left/right arrow keys to select “Fan Control.”
- ◆ Use the left/right arrow keys to select the fan option. Press “Enter” to confirm.

DISP.SETTING

Shut off Time

Allows the fixture’s LCD display to be turned off after a period of 2 to 59 minutes.

- ◆ Access the menu by pressing the “Mode Esc” key.
- ◆ Use the up/down arrow keys to reach the “OPTION” menu and press “Enter.” Then use the left/right arrow keys to select “Disp.Setting.” Finally, use the left/right arrow keys to select “Shut off Time.”
- ◆ Use the left/right arrow keys to change the value displayed. Press “Enter” to confirm.

Key Lock

Activates the automatic keypad lock. If this function is enabled, the keys will be automatically locked 15 seconds after exiting edit mode. Hold the MENU key down for 3 seconds to deactivate this function.

- ◆ Access the menu by pressing the “Mode Esc” key.
- ◆ Use the up/down arrow keys to reach the “OPTION” menu and press “Enter.” Then use the left/right arrow keys to select “Disp. Setting.” Finally, use the left/right arrow keys to select “Key Lock.”
- ◆ Use the left/right arrow keys to select ON or OFF. Press “Enter” to confirm.

DispFlash

Causes the display to flash as a warning that there is no DMX signal.

- ◆ Access the menu by pressing the “Mode Esc” key.
- ◆ Use the up/down arrow keys to reach the “OPTION” menu and press “Enter.” Then use the left/right arrow keys to access the “Disp. Setting” submenu. Finally, use the left/right arrow keys to select “DispFlash.”
- ◆ Use the left/right arrow keys to select ON or OFF. Press “Enter” to confirm.

Pixel Order

SIGNAL SELECT**Signal Select**

This menu allows you to choose what the Pixel order of the fixture. Be aware that the order configuration shown on the display is matching the front view of the fixture.

- ◆ Access the menu by pressing the “Mode Esc” key.
- ◆ Use the up/down arrow keys to reach the “OPTION” menu and press “Enter.” Then use the left/right arrow keys to select “Pixel order” submenu.
- ◆ Use the left/right arrow keys to select right order setting. Press “Enter” to confirm

TEMP. C/F

Allows you to select the unit of measurement for the temperature values, in either Celsius or Fahrenheit.

- ◆ Access the menu by pressing the “Mode Esc” key.
- ◆ Use the up/down arrow keys to reach the “OPTION” menu and press “Enter.” Then use the left/right arrow keys to access the “Temp. C/F” submenu.
- ◆ Use the left/right arrow keys to select the unit of measurement. Press “Enter” to confirm.

TRIGGER**DMX Value Disp.**

Allows you to view the DMX value received for each setting. The “ALL” option will display only the setting being edited.

- ◆ Access the menu by pressing the “Mode Esc” key.
- ◆ Use the up/down arrow keys to reach the “OPTION” menu and press “Enter.” Then use the left/right arrow keys to access the “Trigger” submenu. Use the right/left arrow keys to select “DMX value Disp.”
- ◆ Use the left/right arrow keys to select which setting to display. Press “Enter” to confirm.

RESETDEFAULT

Restores the factory default settings on the fixture.

- ◆ Access the menu by pressing the “Mode Esc” key.
- ◆ Use the up/down arrow keys to reach the “OPTION” menu and press “Enter.” Then use the left/right arrow keys to access the “ResetDefault” submenu.
- ◆ Use the right/left arrow keys to select ON to perform a reset to defaults. Press “Enter” to confirm.

INFO**TIME INFO.****Current Time**

Shows the number of hours the fixture has been operating since it was powered on.

- ◆ Access the menu by pressing the “Mode Esc” key.
- ◆ Use the up/down arrow keys to reach the “INFO” menu and press “Enter.” Then use the left/right arrow keys to access the “Time Info” submenu.
- ◆ Use the left/right arrow keys to select “Current Time”, and press “Enter” to display the value.

Ttl Life Hrs

Shows the fixture’s total number of hours of operation.

- ◆ Access the menu by pressing the “Mode Esc” key.
- ◆ Use the up/down arrow keys to reach the “INFO” menu and press “Enter.” Then use the left/right arrow keys to access the “Time Info” submenu.
- ◆ Use the left/right arrow keys to select “Ttl Life Hrs”, and press “Enter” to display the value.

Last Run Hrs

Shows the fixture’s length of operation since the last time this counter was reset.

- ◆ Access the menu by pressing the “Mode Esc” key.
- ◆ Use the up/down arrow keys to reach the “INFO” menu and press “Enter.” Then use the left/right arrow keys to access the “Time Info” submenu.
- ◆ Use the left/right arrow keys to select “Ttl Life Hrs”, and press “Enter” to display the value.

Timer PIN

The “Timer PIN” is the password required to reset the counter for “Last Run Hrs.” The PWD is 038.

- ◆ Access the menu by pressing the “Mode Esc” key.
- ◆ Use the up/down arrow keys to reach the “INFO” menu and press “Enter.” Then use the left/right arrow keys to select “Time Info.” Finally, use the left/right arrow keys to select “Timer PIN.”
- ◆ Scroll through using the left/right arrows until 038 appears and press “Enter” to confirm.

CLR LAST RUN

After entering the “Timer PIN”, you can reset the value for “Last Run Hrs” through this menu.

- ◆ Access the menu by pressing the “Mode Esc” key.
- ◆ Use the up/down arrow keys to reach the “INFO” menu and press “Enter.” Then use the left/right arrow keys to access “Clr Last Run” submenu.
- ◆ Use the left/right arrow keys to select “ON” to validate the reset.

TEMP. INFO**Head Temp.**

Shows the current temperature of the fixture head.

- ◆ Access the menu by pressing the “Mode Esc” key.
- ◆ Use the up/down arrow keys to reach the “INFO” menu and press “Enter.” Then use the left/right arrow keys to access the “Temp.Info” submenu.
- ◆ Press “Enter” once again to display the temperature of the head.

SOFTWARE VER

Displays the software version of the fixture.

- ◆ Access the menu by pressing the “Mode Esc” key.
- ◆ Use the up/down arrow keys to reach the “INFO” menu and press “Enter.” Then use the left/right arrow keys to access the “Software ver” submenu.
- ◆ Press “Enter” once again to display the software version.

TEST**TEST SEQUENCE**

Allows you to run a automatic test sequence for all the parameters.

- ◆ Access the menu by pressing the “Mode Esc” key.
- ◆ Use the up/down arrow keys to reach the “TEST” menu and press “Enter.” Then use the left/right arrow keys to access the “Test Sequence” submenu.
- ◆ Press “Enter” once again to run the sequence.

TEST CHANNEL

Tests each of the fixture’s settings (e.g., Red , Green, Pattern...).

- ◆ Access the menu by pressing the “Mode Esc” key.
- ◆ Use the up/down arrow keys to reach the “TEST” menu and press “Enter.” Then use the left/right arrow keys to access the “Test Channel” submenu.
- ◆ The fixture then runs in test position. Use the left/right arrow keys to scroll through and test each setting.

MANUAL CTRL.

Allows you to access all the fixture’s settings manually (e.g., White, Strobe...). The shutter and the electronic dimmer are by default 100% open.

- ◆ Access the menu by pressing the “Mode Esc” key.
- ◆ Use the up/down arrow keys to reach the “TEST” menu and press “Enter.” Then use the left/right arrow keys to access the “Manual Ctrl” submenu.
- ◆ Use the left/right arrow keys to scroll through and check each setting.

PRESET

SELECT PROG.

Allows to choose the program for “Program Run.”

EDIT PROG.

Allows you to edit internal programs.

EDIT SCENES

Allows you to edit scenes within the internal programs.

SCENES INPUT

The luminaire features a DMX recorder, which can receive the scenes programmed on your DMX controller. Set the desired number of scenes from the control panel. Then run the scenes from your controller. They will be automatically transmitted to the INTELLIPIX XT.

MASTER/SLAVE MODE SETTINGS

A MASTER fixture can send up to 3 different sets of data to a SLAVE fixture (e.g., a MASTER fixture can control 3 different SLAVE fixtures which will each perform 3 different programs). The MASTER fixture sends the 3 programs in a continuous loop.

The SLAVE fixture receives data from the MASTER fixture according to the group to which the SLAVE fixture is assigned. For example, if the SLAVE fixture has been assigned to “Slave 1” in the menu “Set to Slave”, the MASTER fixture sends “Auto Program Part 1” to this SLAVE fixture. If it was assigned to “Slave 2”, the SLAVE fixture would receive the program “Auto Program Part 2” from the MASTER fixture.

To launch a program, follow this procedure:

1. Slave Settings - SLAVE fixture adjustment

- Use the buttons to select “Function Mode.” Press ENTER to confirm.
- Use the buttons to select “Set slave to.” Press ENTER to confirm.
- Use the buttons to select “Slave 1”, “Slave 2” or “Slave 3.” Press ENTER to confirm.
- Press MODE/ESC to return to the main menu.

2. Automatic Program Run

- Use the buttons to select “Function Mode.” Press ENTER to confirm.
- Use the buttons to select “Auto Program.” Press ENTER to confirm.
- Use the buttons to select “Master” or “Alone.” “Master” sets the fixture as the master. Press ENTER to confirm.
- Press MODE/ESC to return to the main menu.

3. Program selection for Auto Pro Part

- Use the buttons to select “Edit program.” Press ENTER to confirm.
- Use the buttons to select “Select programs.” Press ENTER to confirm.
- Select “Auto Program Part 1”, “Auto Program Part 2” or “Auto Program Part 3”, for the Slave program to be sent. Selecting “Part 1” will cause the SLAVE to run the same program as the MASTER fixture. Press ENTER to confirm.
- Press MODE/ESC to return to the main menu.

4. Program selection for Edit Program

- Use the buttons to select “Edit program.” Press ENTER to confirm.
- Use the buttons to select “Edit program.” Press ENTER to confirm.
- Use the buttons to select the desired program. You can edit specific scenes in a given program. Press ENTER to confirm.
- Press MODE/ESC to return to the main menu.

5. Automatic Scene Recording

- Use the buttons to select “Edit program.” Press ENTER to confirm.
- Use the buttons to select “Edit scenes.”
- Use the buttons to select the number of desired scenes. (maximum amount: 250 scenes) Press ENTER to confirm.
- Press MODE/ESC to return to the main menu.

Example:

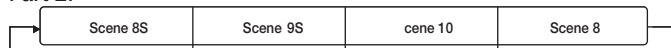
- ”Program 2” includes scenes: 10, 11, 12, 13.
- ”Program 4” includes scenes: 8, 9, 10.
- ”Program 6” includes scenes: 12, 13, 14, 15.
- ”Auto Program Part 1” is “Program 2.”
- ”Auto Program Part 2” is “Program 3.”
- ”Auto Program Part 3” is “Program 6.”

The 3 groups of SLAVE fixtures run the “Auto Program” function in the following sequence:

Part 1:



Part 2:



Part 3:



LED MAPPING

The diagram shows the order of the LED addresses from a front view of the luminaire and control panel.



DMX CHART

following chart shows the functions and corresponding values for each DMX channel according to mode whether Standard (St), Basic (Ba), Extended (Ex) or Pixel Mode (Pix):

DMX channel's functions and their values (12 - 203 DMX channels):					
Mode/Channel				Value	Function
St	Ba	Ex	Ex2		
1	1				Red LED -all arrays :
				0-255	Red (0-Black , 255-100% Red)
2	2				Green LED-all arrays :
				0-255	Green (0-Black , 255-100% Green)
3	3				Blue LED -all arrays :
				0-255	Blue (0-Black , 255-100% Blue)
4	4				White LED -all arrays :
				0-255	White (0-Black , 255-100% White)
		10	1		Red LED -array 1 :
				0-255	Red (0-Black , 255-100% Red)
		11	2		Green LED-array 1 :
				0-255	Green (0-Black , 255-100% Green)
		12	3		Blue LED -array 1 :
				0-255	Blue (0-Black , 255-100% Blue)
		13	4		White LED -array 1 :
				0-255	White (0-Black , 255-100% White)
		14	5		Red LED -array 2 :
				0-255	Red (0-Black , 255-100% Red)
		15	6		Green LED-array 2 :
				0-255	Green (0-Black , 255-100% Green)
		16	7		Blue LED -array 2 :
				0-255	Blue (0-Black , 255-100% Blue)
		17	8		White LED -array 2 :
				0-255	White (0-Black , 255-100% White)
		
		42	33		Red LED -array 9 :
				0-255	Red (0-Black , 255-100% Red)
		43	34		Green LED-array 9 :
				0-255	Green (0-Black , 255-100% Green)
		44	35		Blue LED -array 9 :
				0-255	Blue (0-Black , 255-100% Blue)
		45	36		White LED -array 9 :
				0-255	White (0-Black , 255-100% White)
5	5	1			Shutter, strobe:
				0-31	Led trun off
				32-63	Led turn on
				64-95	Strobe effect slow to fast
				96-127	Led turn on
				128-159	Pulse-effect in sequences
				160-191	Led turn on
192-223	Random strobe effect slow to fast				
224-255	Led turn on				
6	6	2			Dimmer intensity:
				0-255	Intensity 0 to 100%

DMX channel's functions and their values (44 DMX channels)									
Mode/Channel				Value	Function				
St	Ba	Ex	Ex2						
7		3			Color Macro:				
				0-7	No function				
				8-39	from RED to YELLOW				
				40-71	from YELLOW to GREEN				
				72-103	from GREEN to CYAN				
				104-135	from CYAN to BLUE				
				136-167	from BLUE to MAGENTA				
				168-199	from MAGENTA to RED				
				200-231	from RED to WHITE				
				232-255	Crossfading colours from slow to fast				
				8		4			Color Presets:
								0-4	No function
5-9	White2700k								
10-14	White3200k								
15-19	White4200k								
20-24	White5600k								
25-29	White6500k								
30-34	White8000k								
35-39	Yellow								
40-44	Magenta								
45-49	Cyan								
50-54	Salmon								
55-59	Turquoise								
60-64	Light Green								
65-69	Steel Blue								
70-74	Orange								
75-79	Straw								
80-84	Pale Lavander								
85-89	Pink								
90-94	Red								
95-99	Green								
100-104	Blue								
105-109	White								
110-104	Rainbow1								
115-119	Rainbow2								
120-124	Rainbow3								
125-255	Reserved								
9		5							Color Presets Dimmer:
				0-255	Dimmer 0% to 100%				
10		6			Chase Patterns:				
				0-9	Led trun off				
				10-14	Chase 1				
				15-19	Chase 2				
				20-24	Chase 3				
				25-29	Chase 4				
				30-34	Chase 5				
				35-39	Chase 6				
				40-44	Chase 7				
				45-49	Chase 8				
				50-54	Chase 9				
				55-59	Chase 10				
				60-64	Chase 11				
				65-69	Chase 12				
70-74	Chase 13								

DMX channel's functions and their values (44 DMX channels)					
Mode/Channel				Value	Function
St	Ba	Ex	Ex2		
10		6		75-79	Chase 14
				80-84	Chase 15
				85-89	Chase 16
				90-94	Chase 17
				95-99	Chase 18
				100-104	Chase 19
				105-109	Chase 20
				110-114	Chase 21
				115-119	Chase 22
				120-124	Chase 23
				125-129	Chase 24
				130-134	Chase 25
				135-139	Chase 26
				140-144	Chase 27
				145-149	Chase 28
				150-154	Chase 29
				155-159	Chase 30
				160-235	Reserved
11		7			Chase Speed:
				0-125	Fast to Slow Backward
				126-130	Stop(Speed=0)
131-255	Slow to Fast Forward				
12		8			Chase Fade:
				0-255	Fade Chase
13		9			Reset, internal programs:
				0-79	Normal
				80-84	no function
				85-87	no function
				88-90	no function
				91-93	no function
				94-96	no function
				97-99	no function
				100-119	Internal program 1 (secne1~8 of EEPROM)
				120-139	Internal program 2 (secne9~16 of EEPROM)
140-159	Internal program 3 (secne17~24 of EEPROM)				
160-179	Internal program 4 (secne25~32 of EEPROM)				
180-199	Internal program 5 (secne33~40 of EEPROM)				
200-219	Internal program 6 (secne41~48 of EEPROM)				
220-239	Internal program 7 (secne49~56 of EEPROM)				
240-255	Internal program 8 (secne57~64 of EEPROM)				

CARE AND MAINTENANCE

The care and maintenance of your INTELLIPIX XT should be ensured by a qualified technician. Your INTELLIPIX XT requires regular servicing. The frequency depends essentially on its operating conditions and environment. Intensive use in a dusty environment, or a lack of ventilation around the fixture, may disrupt operation, result in overheating and cause damage that is not covered by the warranty.

WARNING!

Disconnect from mains before servicing.

UPDATING THE LUMINAIRE

Ayrton is continually upgrading this product line. It is therefore possible that a new software version is available that will increase the unit's capabilities.

Updates are performed using Ayrton's update box. Contact your dealer for more information.

To display the version of your device, go into the "Info" menu and select "Software version" (see options details under the "INFO" menu). It is advisable to use the same software version for multiple fixtures.

CLEANING

Your INTELLIPIX XT requires cleaning at regular intervals. Be aware that accumulated dust and residue on the air vents, body and glass of the fixture may reduce efficiency and impair proper operation.

Before cleaning, disconnect the power cable from source.

Use compressed air to blow away dust particles accumulated on and between the cooling fins at the rear of the luminaire's optical system.

Clean the glass of the fixture with a slightly damp soft cloth. When necessary, use a non-alcohol-based glass cleaner. Never use harsh solvents!

WARNING!

Never use alcohol or any chemical agent to clean the optical system of an Ayrton product.

COMPLIANCE CHECK

Your installation should be checked regularly by certified service center. In addition, the following should be checked once a year by a qualified technician:

- The fixture's attachment system must be correctly installed and show no sign of corrosion.
- The fixture's mounting bracket should not be distorted in any way or show any trace of corrosion.
- The safety cable should be attached at the appropriate spot.
- Mechanical parts should show no sign of wear.
- The electrical cables should show no sign of wear, cuts or splices.

TECHNICAL SPECIFICATIONS

OPTICAL

- High-efficiency optical system
- Opening angle of the beam: 4,5°

LIGHT SOURCE

- 9 high-power multicolor LED emitters
- Brightness: up to 9000 lumens
- Estimated lifespan of LED emitters: 50,000 hours
- Guaranteed "no-flicker" effect perfectly suited for television applications and all video recorded events

DIMMER, STROBE

- Electronic dimmer for light adjustment from 0 to 100% without color change (16-bit)
- High-speed strobe effect in white or color at 1 to 25 flashes/second
- Pre-programmed variable strobe effects

SOFTWARE FEATURES

- Full menus for setting DMX address and advanced functions
- Compatible with the DMX/RDM (Remote Device Management) protocol
- Pre-programmed macro modes
- Information menu including: timer, temperature, software version, etc.

CONTROL

- USITT DMX512
- Automatic features for managing your luminaire without a DMX console
- DMX RDM-compatible
- Integrated control panel with LCD display and 6 buttons
- DMX512 input/output
- Choice of 4 DMX modes (from 6 to 45 channels)

POWER SUPPLY

- Electronic power distribution with Power Factor Correction (PFC) from 110-240 VAC, 50/60 Hz
- 420 Watt maximum power
- Power supply via powerCON True1 connector
- Supplied AC power cable plug

COOLING

- Advanced forced-air cooling system
- Self-adjusting fan for reduced noise level (in AUTO mode)
- User-selectable air-cooling modes

CONSTRUCTION

- Covers: molded PC-ABS thermoplastic, class V0 (fire retardant)
- Chassis: steel plates and aluminum
- Protection rating: IP20 (indoor use only)
- Finish: Carbon black

INSTALLATION

- Yoke
- Safety cable attachment

OPERATING PARAMETERS

- Operating positions: on floor or attached to a support (no flag positioning)
- Maximum authorized ambient temperature (Ta Max): 45°C (113°F)
- Minimum authorized ambient temperature (Ta Min): -10°C (14°F)
- Minimum projection distance: 5 m

DIMENSIONS

- Product: 473 mm x 473 mm x 247 mm (L x H x D)
- Protective foam: 557 mm x 515 mm x 330 mm (L x H x D)

WEIGHT

- Product: 15,5 kg
- Product in packaging with accessories: 25kg

PRODUCT CODE

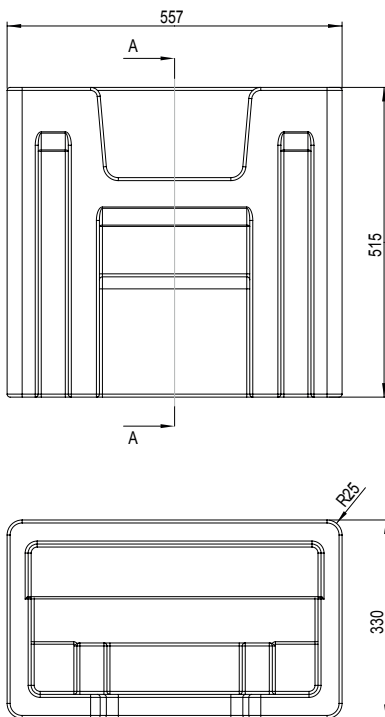
- 024750: INTELLIPIX XT AUTOMATED LUMINAIRE

FOAM FOR FLIGHT CASE

INTELLIPIX XT is delivered in a carton packed with a dense, protective foam surrounding the fixture. This reusable protective shell is intended for a flight case that can be custom built for the luminaire.

AYRTON does not offer custom flight cases for the INTELLIPIX XT. This accessory is to be provided by the user.

The main dimensions of the protective shell appear in the following diagram:



unit are not covered under the warranty.

Any modification to the fixture will void the warranty. AYRTON cannot under any circumstances be held liable for quality and conformity regarding the installation of this product, which is the responsibility of the installer.

Broken glass lenses on the INTELLIPIX XT, and any damage that could arise thereof, are excluded from the warranty. Any possible cosmetic defects, provided you report them to your AYRTON dealer upon unpacking the device and before use, may be covered by the warranty.

Note:

The manufacturer is not responsible for any errors or omissions that may occur in this document. All information contained in this manual is subject to change without notice.

WARRANTY

The AYRTON INTELLIPIX XT fixture is guaranteed against manufacturing defects for the duration of one (1) year from the date of purchase.

This warranty does not cover the unit for evidence of physical shock or damage caused by abuse or any use not in accordance with the operating conditions set forth in the present user manual.

In addition, cosmetic defects caused by the normal wear and tear of the



AYRTON

Digital Lighting