



# Realtime Rack

## Live Sound Plug-in Engine

### UAD Powered Plug-Ins for Soundcraft Vi Series Live Sound Consoles

The result of a unique collaboration between live sound mixing experts Soundcraft and renowned plug-in manufacturer, Universal Audio, the Soundcraft Realtime Rack brings industry-standard UAD studio plug-ins to the Soundcraft platform. The Realtime Rack hardware and software delivers tight integration of Soundcraft Vi consoles and UAD Powered Plug-Ins, with (48 kHz) sub-2 millisecond latency and full snapshot store and recall with Soundcraft's CUE/Snapshot system. Realtime Rack's robust SHARC-based processors run audio over standard Optical MADI connections and dual-redundant internal power supplies ensure that audio signals keep running, even in the event of a power supply failure. Soundcraft Realtime Rack brings the stability of DSP and the sound quality that Soundcraft and Universal Audio are known for in a scalable, low-latency processing environment.

Soundcraft  
**Vi SERIES™**  
DIGITAL LIVE SOUND CONSOLES



Soundcraft  
by HARMAN



# Technical Data

## HARDWARE CONNECTIONS

<b>Audio Connector Type:</b>	MADI - Dual Optical SC-Plug (ISO/IEC 9314-3)
<b>MADI Format:</b>	AES10 (64 channels)
<b>Supported Sample Rates:</b>	44.1 kHz, 48 kHz, 88.2 kHz, 96 kHz (48kHz only, when used with Soundcraft Vi console)
<b>Host Connector Type:</b>	Thunderbolt (Dual connectors)
<b>Word Clock:</b>	BNC - One Input, One Output
<b>Word Clock Input Termination:</b>	75 Ohms, switchable
<b>Supported Clock Sources:</b>	MADI, Word Clock, Internal (Thunderbolt/FireWire)
<b>AC Connectors:</b>	2
<b>AC Connector Type:</b>	IEC Male with integrated switch

## POWER SUPPLY

<b>Power Configuration:</b>	Two switching power supplies. Integrated failover circuit controls redundant power supplies
<b>AC input Range:</b>	100-240 VAC
<b>Power Rating:</b>	Less than 30 Watts
<b>Frequency:</b>	50-60 Hz

## ENVIRONMENTAL CONDITIONS

<b>Humidity:</b>	60% maximum
<b>Temperature:</b>	0 °C to +45 °C

## PHYSICAL

<b>Rack Spaces:</b>	1U
<b>Chassis dimensions:</b>	431.8 mm (17") W x 304.8 mm (12") D x 33.8 mm (1.3") H
<b>Weight (unit only):</b>	4.1 kg (9 lbs)
<b>Shipping Weight:</b>	6.3 kg (14 lbs)

Soundcraft reserves the right to improve or otherwise alter any information supplied in this document. E & O E December 2013.

Soundcraft, Harman International Industries Ltd.,  
 Cranborne House, Cranborne Road, Potters Bar, Hertfordshire EN6 3JN, UK  
 T: +44 (0)1707 665000 F: +44 (0)1707 660742 E: soundcraft@harman.com  
 Soundcraft USA, 8500 Balboa Boulevard, Northridge, CA 91329, USA  
 T: +1-818-920-3212 F: +1-818-920-3208 E: soundcraft-usa@harman.com  
[www.soundcraft.com](http://www.soundcraft.com)

Part No: 5042291  
 Issue 1213

**Soundcraft**  
 by **HARMAN**

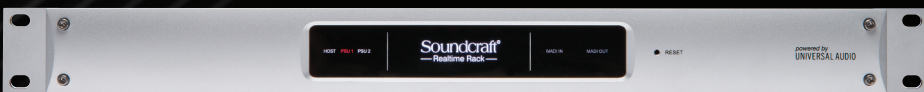




**UAD2**  
POWERED PLUG-INS



# Realtime Rack Live Sound Plug-in Engine

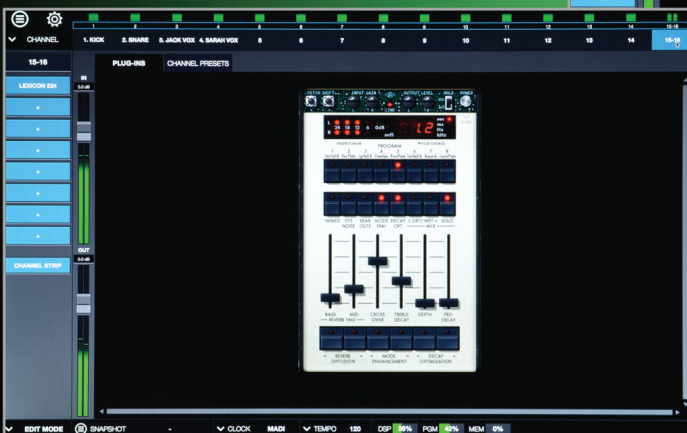


Soundcraft  
**VI SERIES**  
DIGITAL LIVE SOUND CONSOLES

Soundcraft  
by HARMAN





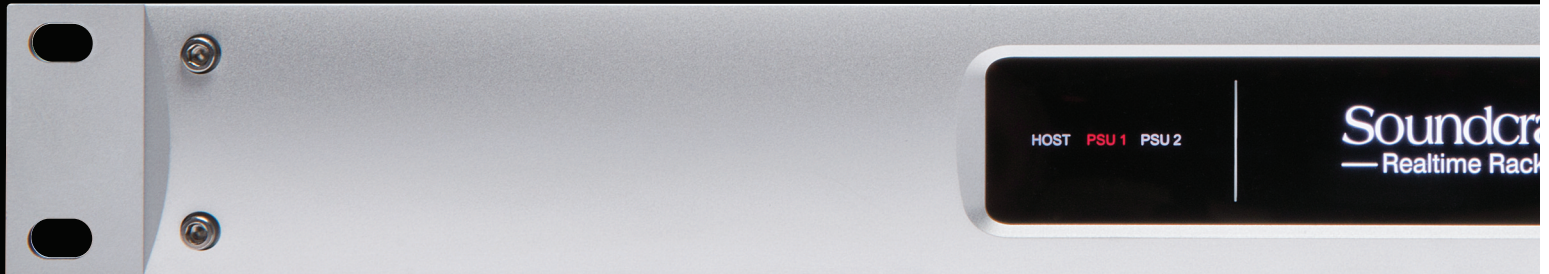


## 74 Plug-ins available

The Realtime Rack Ultimate Live includes 74 of Universal Audio's authentic hardware emulations and award-winning UAD plug-ins.



# UAD Powered Plug-Ins. What Live



Combining the intuitive Vistonics operator interface with pristine sound quality and powerful mixing features, the Soundcraft Vi Series is already established as the first-choice live sound mixing console for touring and installed applications worldwide.

Now the new Soundcraft Realtime Rack provides access to Universal Audio's acclaimed analogue audio processing emulations and award-winning UAD plug-ins.

Realtime Rack software gives Vi console operators all the control they need to insert UAD plug-ins on individual channels, auxiliary channels, and master busses – just as easily as real hardware. A comprehensive snapshot system allows total recall of all plug-ins and their settings, while tight network integration with the Vi Series ensures that all settings of the application are stored inside the console.

Two versions are available: The Realtime Rack Ultimate Live with 74 plug-ins available, and the Realtime Rack Core Live with 14 plug-ins. Additional UAD plug-ins can be purchased any time from UA's Online store.

The UAD Powered Plug-Ins platform offers the world's most authentic analogue hardware emulations and award-winning audio plug-ins. Powered by Universal Audio's DSP Accelerator hardware, UAD Powered Plug-Ins deliver rich, analogue sound quality that would be difficult or impossible to achieve with native recording systems.

From rare compressors and equalizers, to vintage reverb processors and tape machines, UAD Powered Plug-Ins inject three-dimensional 'out-of-the-box' analogue sound to your mixes.

## Key Features

### Hardware

- Durable 1U Rack enclosure
- 4 SHARC DSPs on-board
- Dual-redundant internal power supplies with failover detection
- Each Realtime Rack unit processes up to 16 channels of a MADI stream (add additional units for 32, 48 or 64 channels)
- Runs a huge library of UAD Powered Plug-Ins & UAD Direct Developer Plug-Ins
- Dual-Thunderbolt host connectivity
- One set of MADI optical I/O (64 channels @ 48 kHz)
- Word Clock I/O (BNC) and Input termination
- Sample Rate support from 44.1kHz to 96kHz
- Clock Support for the following formats: Internal, MADI, Word Clock

### Software

- Purpose-built Realtime Rack application for inserting UAD plug-Ins
- Networked integration with select Soundcraft Vi consoles – allows full remote snapshot triggering and storing
- Create, store and recall channel strip presets
- Create, store and recall snapshots

## Realtime Rack Ultimate Live - 74 plug-ins available

1176 Classic Limiter Collection	Little Labs IBP	Precision Maximizer
1176LN Legacy Limiter	Little Labs VOG	Pultec Passive EQ Collection
1176SE Legacy Limiter	Manley Massive Passive	Pultec EQP-1A Legacy Equalizer
API 500 Series EQ Collection	Moog Filter	Pultec Pro Legacy Equalizer
API Vision Channel Strip	MXR Flanger Doubler	RealVerb Pro Reverb
dbx 160 Compressor	Neve 1073	Roland CE-1
CS-1 Channel Strip	Neve 1081	Roland Dimension D
Cambridge Equalizer	Neve 31102	Roland RE-201
Cooper Time Cube Delay/Modulation	Neve 33609	SPL Transient Designer
DreamVerb Reverb	Neve 88RS	SSL E Channel Strip
Empirical Labs Fatso JR/SR	Oceanway Studios	SSL G Bus Compressor
EMT 140 Plate Reverb	Precision Buss Compressor	Studer A800 Tape Machine
EMT 250 Digital Reverb	Precision De-Esser	Teletronix LA-2A Limiter Collection
EP-34 Tape Echo	Precision Enhancer Hz	Teletronix LA-2A Legacy Limiter
Fairchild Tube Limiter Collection	Precision Enhancer kHz	Teletronix LA-3A Limiter
Harrison 32C Equalizer	Precision Equalizer	Trident A-Range
Helios 69 Equalizer	Precision K-Stereo	
Lexicon 224 Reverb	Precision Limiter	

## Realtime Rack Core Live - 14 plug-ins available

1176LN Legacy Limiter
1176SE Legacy Limiter
dbx 160 Compressor
CS-1 Channel Strip
Lexicon 224 Reverb
Pultec EQP-1A Legacy Equalizer
Pultec Pro Legacy Equalizer
RealVerb Pro Reverb
Studer A800 Tape Machine
Teletronix LA-2A Legacy Limiter

Bundle contents are subject to change



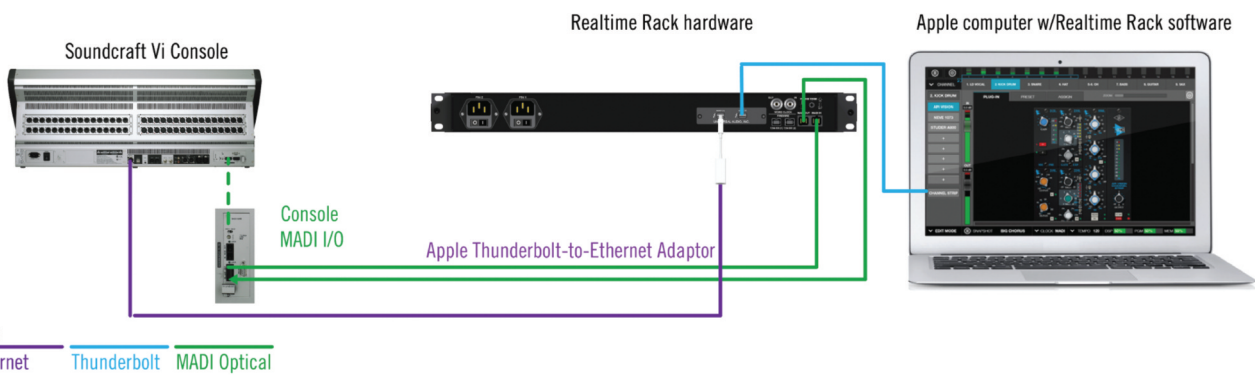


# The Sound has been waiting for.



## Soundcraft by HARMAN

### Connecting 1 unit to a Soundcraft Vi console for 16 inserts



### Daisy-chaining up to 4 Realtime Rack units for 64 inserts

