

HLI-2W2 Interface Module

Digital Partyline Solutions

Linking
People
Together



HLI-2W2

Key Features and Benefits

Interface

- 2-Wire Interface module for HMS-4X
- Auto Nulling
- Level and VOX control
- Clear-Com / RTS call and RMK signaling

The HelixNet System

- Networked Intercom System
- Flexible Cabling
- 12 partyline channels. Expandable to 24 channels via optional license
- Program Audio distribution with independent level

Effortless Management

- Fast front panel control and configuration
- Easy to use CCM browser configuration tool using optional HLI-ET2
- Plug-and-go installation with hardwire auto-discovery
- Central upgrades automatically managed from main station

HelixNet is a fully networked partyline intercom, supporting up to 24 channels and independent program audio over XLR, LAN and WAN.

Description

HelixNet's HLI-2W2 is a dual 2-wire partyline interface module for the HMS-4X main station.

Interfacing

HLI-2W2's 2-wire analog partyline interface are assignable to any channel in the HelixNet system and provide connectivity to powered Clear-Com or RTS analog partyline systems. Level control and VOX/Gate capability is provided for each interface to accommodate the connected device.

HLI-2W2 include call signaling and remote mic kill circuits when used with compatible Clear-Com and RTS partyline devices.

Pin	Function
1	Ground
2	Power (Option for RTS mode: power and audio)
3	Audio

Technical Specifications

Connectors

XLR Powerline: (2) Powerline, each with 3 pin XLR-F

Partyline

Maximum Level Before Clipping: 6dBu

Nominal Input Level: -18dBu (C-C), -12dBu (RTS)

Input Impedance: >= 10KΩ bridging

Route to 4-wire input at 0dBu in:

Frequency Response: 100 Hz - 10 kHz ±3dB

Distortion: <0.2% THD @ 1kHz

Noise: <-55dBu

Route from a 4-wire output at 0dBu out:

Frequency Response: 40 Hz - 10 kHz ±3dB

Distortion: <0.2% THD @ 1 kHz

Noise: <-75dBu

Auto-nulling and Echo Cancellation

Clear-Com/RTS Selectable

Termination: External

Power: 30V max external

Dimensions

2.2 x 7.4 x 1.5 in (HxWxD)

(57 x 187 x 39 mm)

Weight

13 oz (0.38 kg)

Network Specifications

Network Protocols

IPv4 – Unicast Audio and Control

mDNS – Multicast Device Discovery

Layer 3 routable with mDNS function limitations

WavPack – Audio Codec

Network Ports

Unicast:

Port 80 TCP – System Management

Port 6001 TCP – System Management

Port 6001 UDP – Audio Streams

Multicast:

Port 5353 UDP – mDNS, Names, Discovery

Network Parameters

Endpoint resource use: 1 per active port

Bandwidth:

300 (max) kbps from each active port to HMS

1200 (max) kbps from HMS to each active port

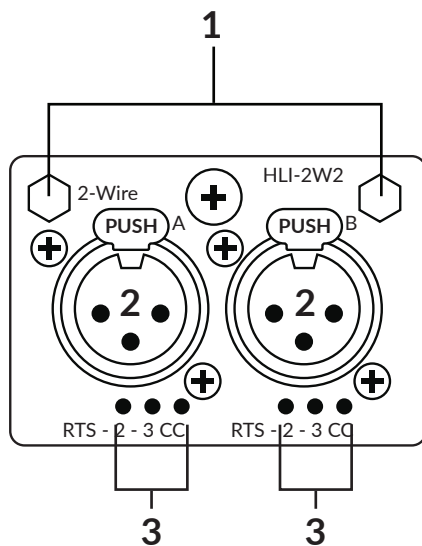
QoS tags:

DSCP=46, High Priority / Expedited Forwarding

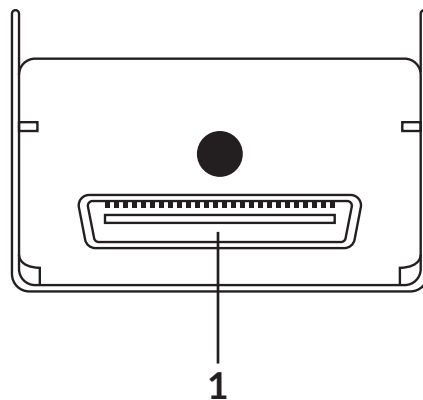
(EF) System reserved IP range: 10.0.0.0/8 for

endpoints

HLI-2W2 Front



HLI-2W2 Back



Legend

Front

1. Handle Mounting Point
2. 3-pin XLR-F Connectors
3. Status Indicators

Back

1. Blade Connector to HelixNet Main Station option slot

Order Code

HLI-2W2