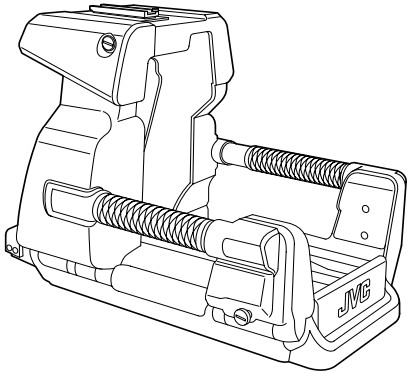




演播室适配器
STUDIO ADAPTER

KA-790G

INSTRUCTIONS



LST1095-001C

Please read the following before getting started:

Thank you for purchasing this product.
Before operating this unit, please read the instructions carefully
to ensure the best possible performance.

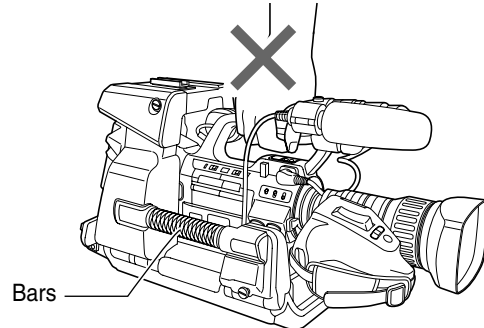
For Customer Use:

Enter below the Serial No. which is located on the body.
Retain this information for future reference.

Model No. KA-790G
Serial No. _____

Transportation

- Do not drop or subject this unit to strong impact when transporting.
- When transporting this unit by itself or when a camera is loaded, be sure to hold the bars on both sides of this unit. Do not hold the handle on the camera when transporting. This unit may fall off from the camera and cause injuries.



Maintenance

- Wipe the external cabinet of the unit with a soft cloth. Do not wipe the body with benzene or thinner. Doing so may cause the surface to melt or turn cloudy. When it is extremely dirty, soak the cloth in a solution of neutral detergent, wipe the body with it, and then use a clean cloth to remove the detergent.

Installation

Memo :

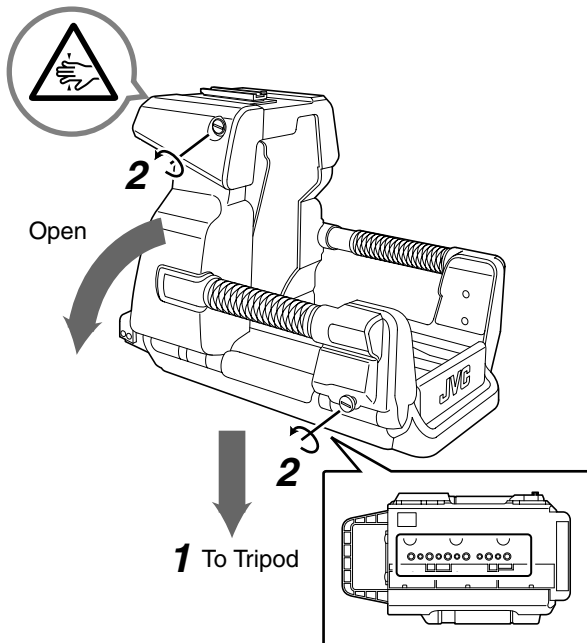
- Other than when attaching or detaching the camera, be sure to tighten the two screws on the sides. It could be dangerous especially during transportation when it is more unstable. Make sure that the screws are fixed in place before transporting.
- Be careful not to get your fingers caught when opening and closing this unit.

1 Mount this unit on your tripod using a suitable mounting hole

Memo :

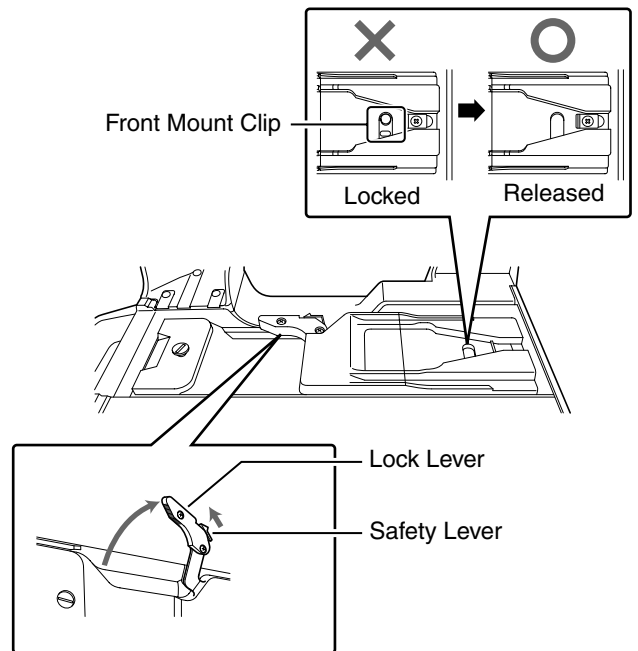
- For your safety, use a tripod that is able to withstand a load of 20 kg and above.

2 Loosen the two screws on the sides and open this unit



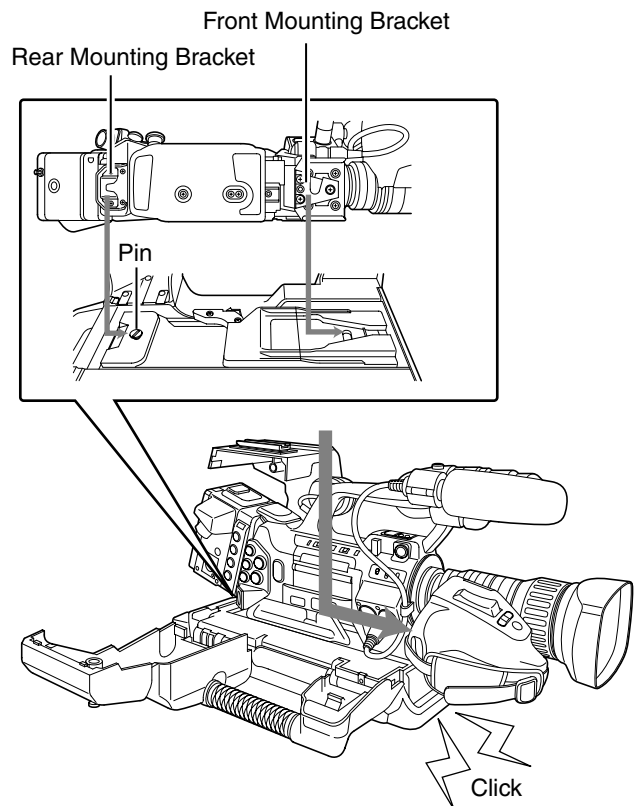
3 Check that the front mount clip is not sticking out

If the clip is sticking out, pull the lock lever while pressing the safety lever to release the lock.



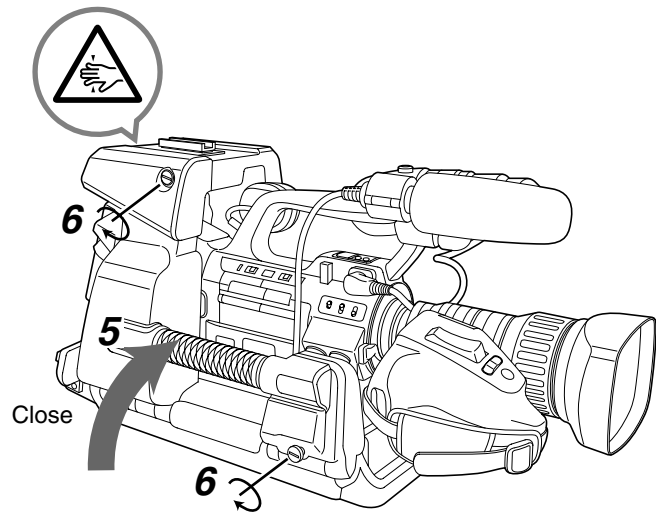
4 Align the mounting bracket with the pin position and slide the camera forward

Attach the camera by sliding firmly until it clicks into place.

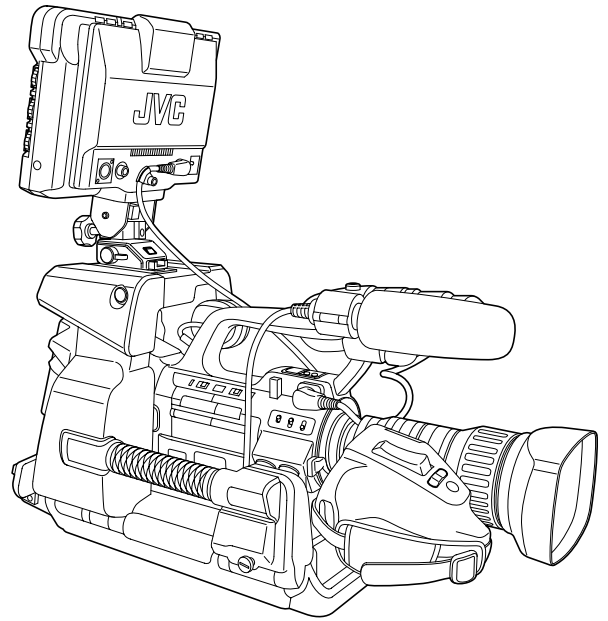


5 Connect the cables and close this unit

6 Tighten the two screws on the sides firmly

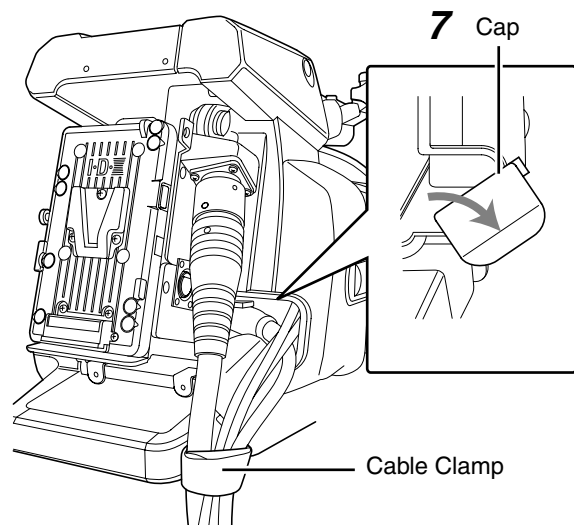


8 Attach VF-HP790G and other accessories when necessary



7 Bundle the cables

If necessary, remove the cap and bundle the cables with a cable clamp.



Memo : _____

- For details, refer to the [INSTRUCTIONS] of VF-HP790G.

Specifications

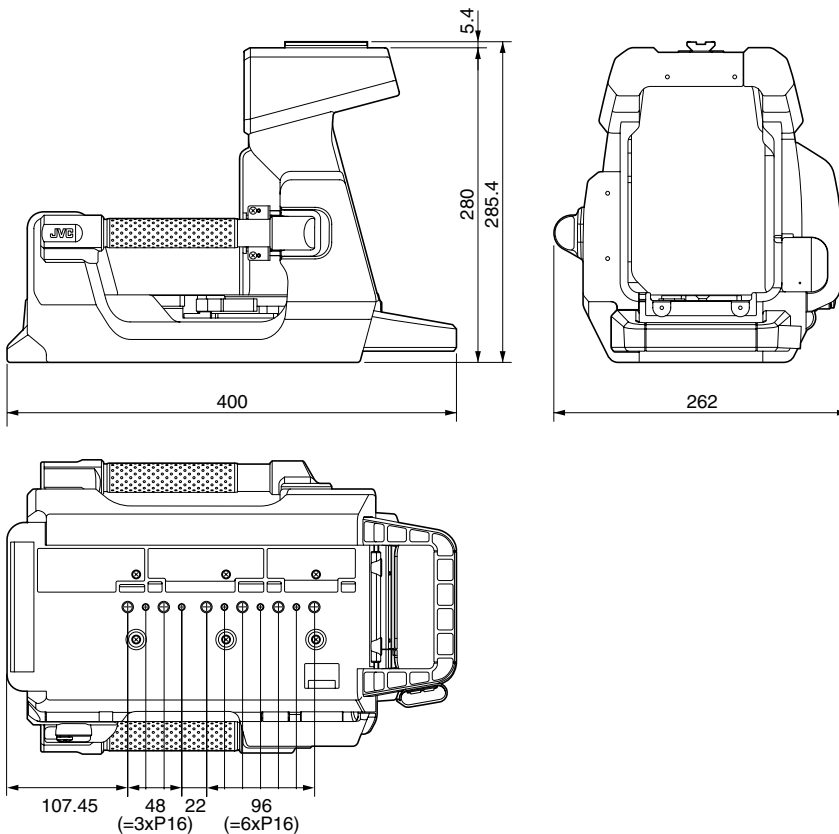
General

Mass	: Approx. 5.4 kg
Allowable operating temperature	: 0 °C to 40 °C (32 °F to 104 °F)
Allowable operating humidity	: 30 % RH to 80 % RH
Allowable storage temperature	: -20 °C to 60 °C (-4 °F to 122 °F)

Accessories

Instructions	1
Warranty Card (For USA and Canada)	1

Dimensional Outline Drawing (Unit: mm)



* The specifications and appearance of this product are subject to changes for further improvement without prior notice.

销售者名称: 杰伟世(中国)投资有限公司
地 址: 北京市朝阳区农展馆南路12号通广大厦1号楼1101室
出 版 日: 2017年1月1日
JVC建伍株式会社