

## MONOBLOX

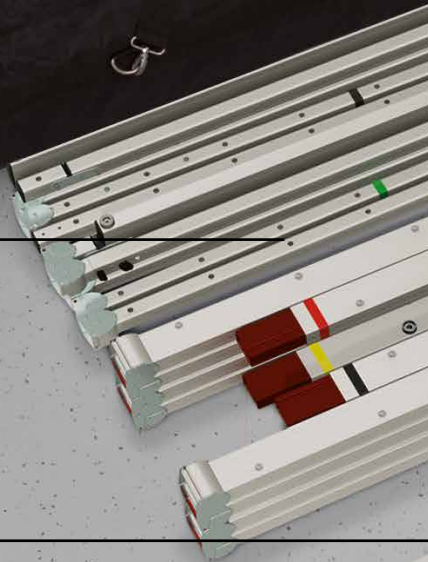
INSTRUCTION FOR MOBILE PROJECTION SCREENS  
MONOBLOX 32 AND MONOBLOX 64



## FOLDABLE LEGS

---

According to the size of the projection-screen five different leg types are available



## VERTICAL MODULES

---

Vertical modules for Monoblöx 64  
By exchanging vertical modules of different length, the aspect ratio can be changed easily (4:3 - 16:9 - 16:10)

## WING SCREWS

---

Thumb screws in yellow bag

## PROJECTION SCREEN BAG

---

Lined storage bag for projection screen



## SOFTBAG WITH WHEELS

---

padded , tearproof nylonbag  
with wheels and carrying straps  
small 128x25x30 cm  
big 133x31x35 cm

## HORIZONTAL FRAME ELEMENTS

---

Compact transport volume  
due to patented snap joint technology  
Special extruded and hardened aluminum alloy  
allow maximum stability at minimum weight

## ASSEMBLY INSTRUCTION

---



# INDEX

GENERAL	5
STANDARDS, REGULATIONS AND TECHNICAL SPECIFICATION	5
SAFETY	5-8
OPERATION, MAINTENANCE and SERVICE	8
WARRANTY	9
MONOBLOX 64 SETUP	10
MONOBLOX 32 SETUP	12
FOLDABLE LEGS FOR VERTICAL ADJUSTMENT	13
LEG TYPES	14
SURFACE MOUNTING	15
SETUP	16
DISMANTLING	17
ACCESSORIES	18-19

# GENERAL

## STANDARDS, REGULATIONS and TECHNICAL SPECIFICATION

This projection screen is in accordance with the safety regulations in DIN standard 19045 and DIN 56950. The screen fabric is comply with DIN 4102 part 1 and the specifications of the according data sheet. For the technical details and projection-specific material parameters please refer to the corresponding product data sheet: [www.AVstumpfl.com/projectionmaterials](http://www.AVstumpfl.com/projectionmaterials)

Detailed data of frame components, legs and projection surface can be found on the type labels on each component and on the labeled soft bags, roller bags or flight cases.

## SAFETY

### GENERAL INFORMATION FOR THE MANUAL AND SAFETY

This operating manual forms part of the projection screen system and enables a safe and efficient operation. The safety section provides information about important safety aspects for the protection of persons, frame and projection materials. Task-related warnings/notes are also contained in the individual chapters. Read instructions through completely before proceeding and keep for future reference. You can find manuals electronically on our website: [www.AVstumpfl.com/downloads](http://www.AVstumpfl.com/downloads)

## PACKAGING MATERIAL

### **WARNING**

Danger of suffocation!

- Keep packaging material and foils away from children.
- Do not let children play with packaging material.



### **NOTICE**

Unpack without cutter or any other sharp tool to avoid damaging of the projection screen. Remove packaging materials by hand. Unpack projection surface after assembling of the frame.



# SET UP-ASSEMBLY

## MECHANICAL HAZARDS

### **WARNING**



**Falling parts**

Danger of injury due to improper assembly. Make sure all frame parts assembled correctly and all hinges and joints are locked before raising screen to standing position. Falling parts can cause severe injury or death!

### **NOTICE**

Projection surface damage in case of faulty assembly or set up. Make sure all frame parts assembled correctly and all hinges and joints are locked before one unfold and attach the projection surface.

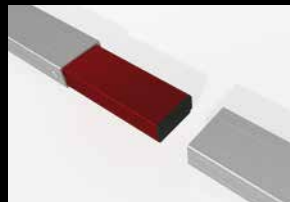
### **CAUTION**



Please be careful not to pinch your fingers!

#### FRAME AND LEG COMPONENTS

Foldable snap joints, corner hinges and plug-in connections can lead to injury to the hands (body parts). Please be careful not to pinch your fingers!



## FALLING OVER

### **WARNING**

Falling over of a projection screen can cause severe injury or death!  
To avoid falling over:

- Make sure that the projection screen is in level.
- Mind the maximum set-up height of the legs - Please follow the instructions in chapter LEG HEIGHTS (site 14)
- Prevent air draft
- Use additional weights on the base profile of the leg to gain higher stability.
- Use suspension points (e.g.: EasyFly) according to the overall system weight for additional safeguarding.

Do not put additional load on the screen frame!  
Do not use outdoors!

## **WARNING**

Mobile projection screens are developed for indoor use only.  
Failure to follow warning may result in personal injury due to unforeseen acts of nature.  
Any damage and consequential damage caused by outdoor use is not covered by warranty.

## BASIC SAFETY REQUIREMENTS

Basic safety requirements for „flying“ projection screens and wall- or ceiling mounting!  
If persons are able to stand under the loads, fastening points and slings must not be loaded more than half the value of the load bearing capacity stated by the manufacturer.  
When planning the event or production, not only dead loads but also dynamic forces, potential breakdown loads and additional loads during operation, as well as during assembly and dismantling must be taken into account.

Observe the local safety regulations!

## FLYING SCREEN

If a modular projection screen is used as a “flying” (free hanging) screen, then all plug-in and clamp connections must be secured against becoming loose and falling.  
It is not allowed to use the projection surface holding the frame parts in position!  
Falling parts can cause severe injury or death!  
Please make sure that all components are secured safely before raising screen to standing position and lifting. Use the necessary number of suspension points (e.g.: EasyFly) according to the overall system weight. A second/auxiliary safeguarding system is mandatory (e.g. steel rope catch)  
Please follow the detailed instruction in the manual.

## **WARNING**



**Falling  
parts**

It is not allowed to use the projection surface holding the frame parts in position! Falling projection screens or parts can cause severe injury or death!

## WALL- or CEILING MOUNTING

Before mounting, make sure that the wall or ceiling, as well as the fixing points meet the safety requirements of the local standards and the required load can be borne.

## **WARNING**



**Falling  
parts**

Danger of injury due to improper disassembly.  
Falling parts can cause severe injury or death!

## **CAUTION**



Please be careful  
not to pinch  
your fingers!

Beware of  
pinch points.

## DISASSEMBLY

For disassembly the same safety instructions apply as for assembly and set up. Bring down a projection screen with the appropriate number of people to avoid falling over of the screen.



Falling parts can cause severe injury or death!



## OPERATION, MAINTENANCE and SERVICE

### FRAME ELEMENTS, LEGS and ACCESSORIES:

The frame elements, legs and additional elements are maintenance-free.

### PROJECTION SURFACE:

The projection surface is packed into a separate lined soft bag to avoid any damage by the frame parts, bleaching and discoloration.

### NOTICE

Additionally, following instructions have to be adhered to:

Do not allow the projection surface to get in contact with sharp objects.

Do not bring printed and coloring objects (instructions, magazines, etc.) in contact with the projection surface!

Do not write on the projection surface!

Colors penetrate the projection surface and cannot be cleaned anymore!

Store the projection surface cleaned and dry at room temperature only!

The projection surface has to be folded with the front layer inside; in order to avoid soiling and damage.

When folding the projection surface insert the enclosed foamed plastic foil between snap buttons and surface to avoid permanent marks.

### COLD BREAK

A projection foil must never be stored or transported below 5° C. There is a risk of a cold break! The film becomes very brittle and splinters like glass! When transporting the projection surface at low temperatures do not unfold the surface unless it has reached its full elasticity at room temperature. Otherwise there is the risk of cold break of the projection screen.

The ideal temperature range for assembling folding screens to prevent damaging the surface is 54°-82° F (12°-28° C). Assembling below recommended temperatures may damage surface and void warranty

### CLEANING OF THE PROJECTION SURFACE

Use a white clean cotton cloth saturated with clear water (optionally mild soap water) and gently wipe the area in one direction (no circular motion). Wipe dry with another cotton cloth.

To clean a stubborn stain, use methylated spirit and follow the same procedure.

Clean rear projection surfaces in case of imperative only!



## WARRANTY

The warranty period for production deficiencies is 5 years for the frame elements and 24 months for the projection surface.

### NOTICE

Mobile projection screens are developed for indoor use only.  
Any damage and consequential damage caused by outdoor use is not covered by warranty.

The general terms and conditions are available at <http://avstumpfl.com/agb>

### LIMITATION OF LIABILITY

All the details in this manual were compiled in consideration of the standards and legal regulations applicable at this time, as well as the experience of the manufacturer and qualified staff. The manufacturer accepts no liability for damage to persons or things (projection screen, other devices, goods, etc.) resulting from:

Non-observance of the manual and the regulations/safety instructions contained therein.

- Failure to comply with the local safety regulations.
- Inappropriate use (misuse).
- Use of unauthorized and non-trained staff.
- Unauthorized equipment conversions and technical modifications by the operator himself.
- Use of spare parts not approved by the manufacturer.
- Typesetting and print errors.

Failure to observe the above points will invalidate the warranty claims.  
Technical specifications are subject to change without notice.

The local regulations and safety regulations and the essential safety requirements apply for the use of this projection screen.

## DISPOSAL

At the end of its lifetime this product must not be disposed of with normal household waste but needs to be taken to a collection site for recycling.

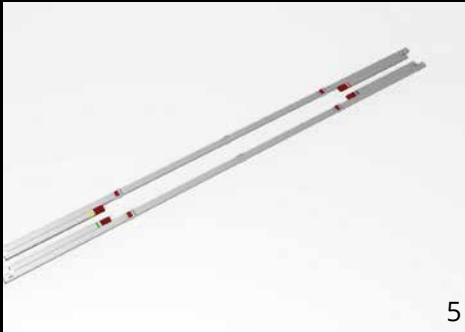
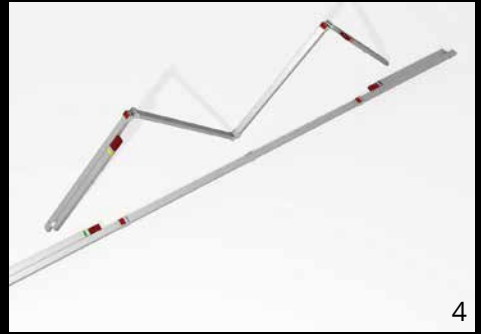
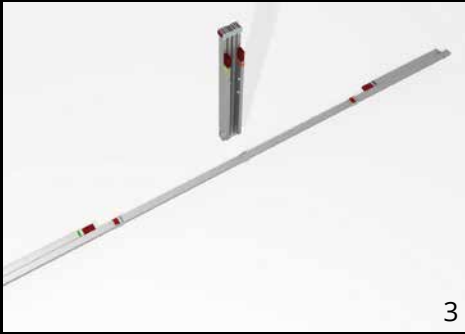
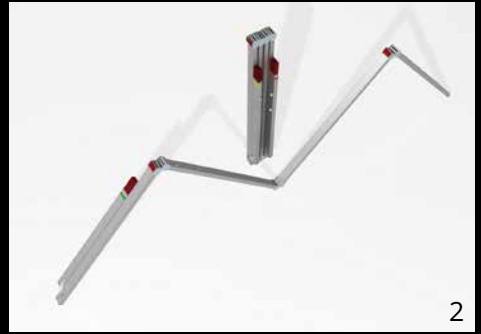
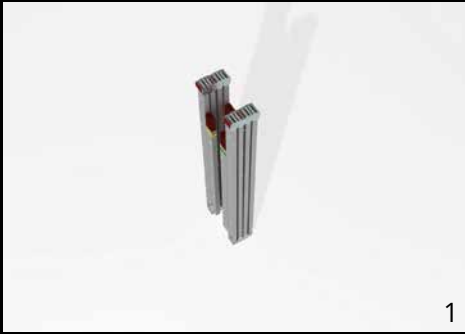
Separate disposal of the product makes an important contribution towards environmental protection.

Frame components and legs are made of aluminum and steel.

The projection material is PVC vinyl.

Contact your local disposal company for the address of a collection center.

Subject to modifications, errors expected !

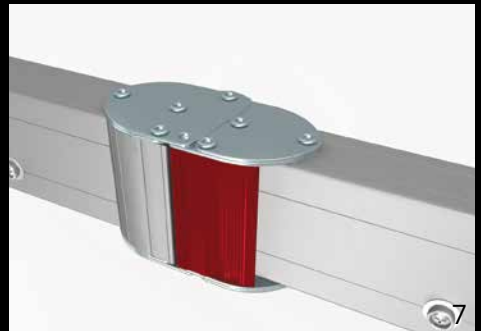
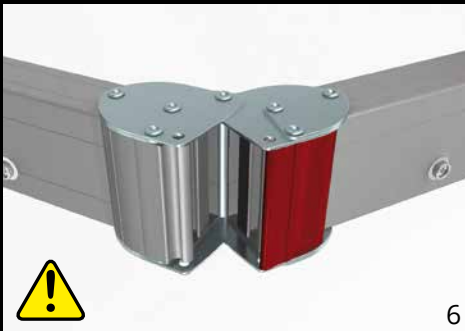


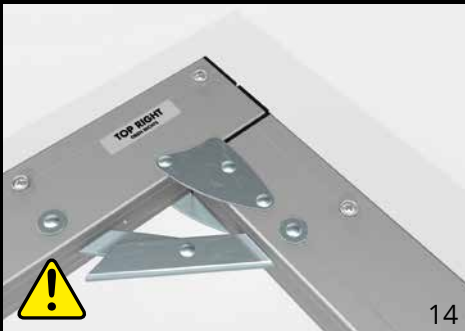
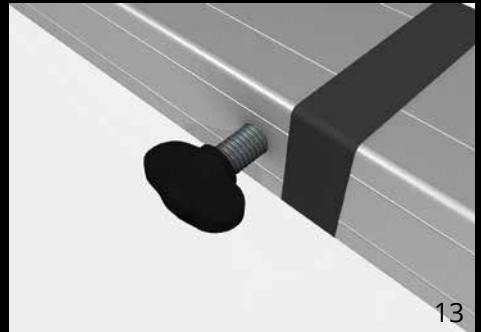
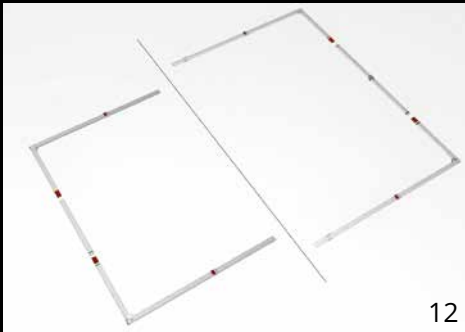
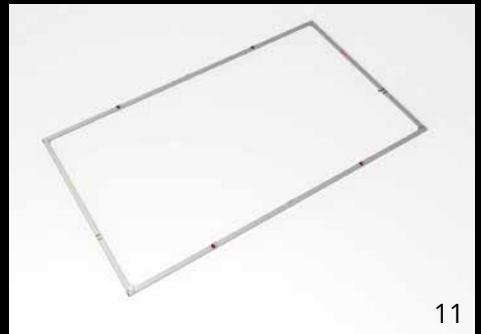
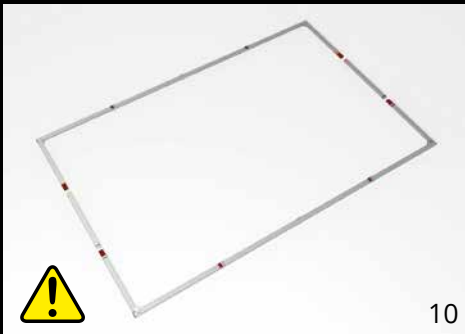
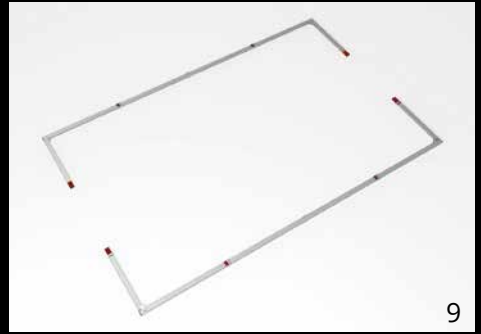
## MONOBLOX 64

The basic frame in System MONOBLOX 64 exists of 2 horizontal and 2 vertical frame elements, which have to be connected and screwed together with small wing screws.

**1-7** Open the folded horizontal frame elements (top and bottom) and the snap joints engage automatically.

**⚠ CAUTION** Beware of pinch points!





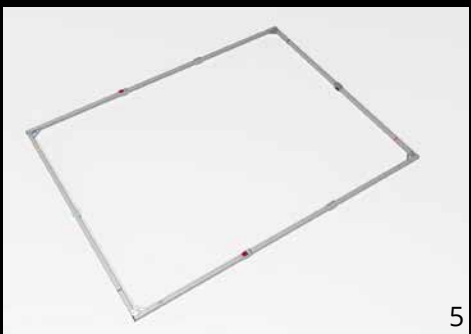
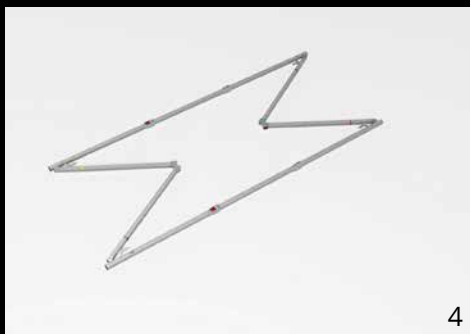
**8-11** Open the corners and plug-in the vertical elements.

**12** Simply change the aspect ratio by using vertical modules of different length (4:3 - 16:9 - 16:10)

**13** The vertical modules have to be secured with two wing screws M8x15.

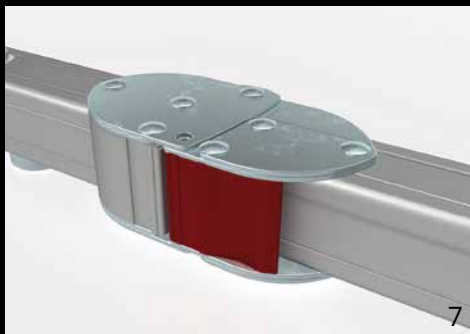
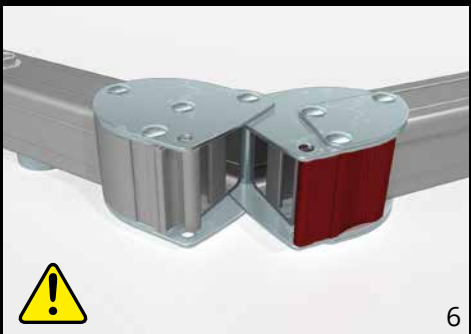
**14** Engaging the shear joints ensures the maximum screen stability.

**⚠ CAUTION** Beware of pinch points!



**MONOBLOX 32**  
1-7 Open the folded frame horizontally and the locking hinges quickly engage and lock automatically. Pull the frame apart and the vertical frame parts lock into place.

**⚠ CAUTION** Beware of pinch points!



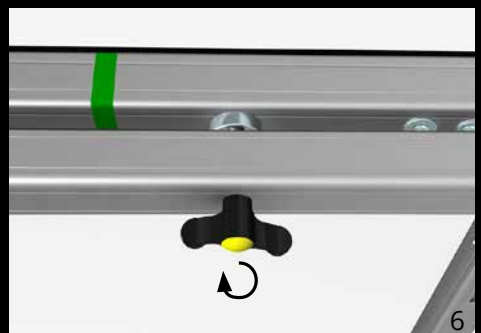
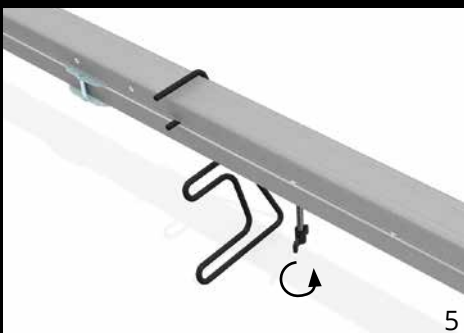
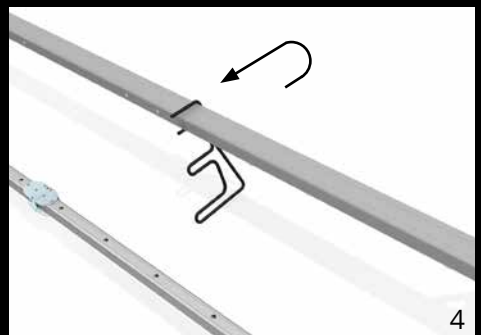
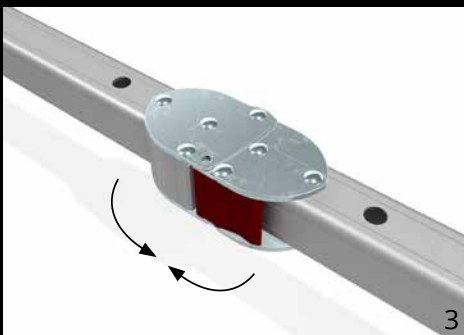
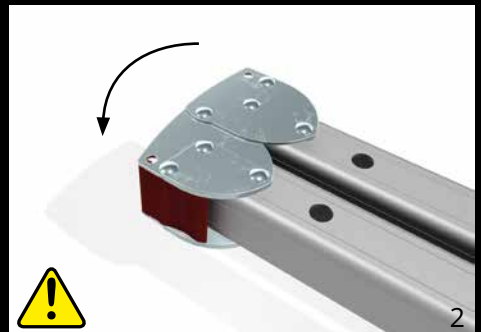
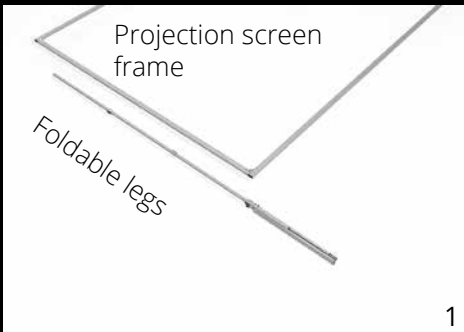
# FOLDABLE LEGS FOR VERTICAL ADJUSTMENT

The legs are foldable for compact transport volume. All profile elements are connected with snap joints or hinges inseparable.

## MOUNTING

**1** First open the vertical elements of the legs (with holes) **2-3** The snap joints engage automatically. **4** To secure the legs by a single person, we recommend the use of set up supports. Slide on with the upper round steel fork two set up supports each on the legs and center supports. Lay on the legs on the bottom bow and align the hole pattern matching the connection points at the desired set-up height. (Please follow the separate instructions for set up support). **5-6** The feet are secured with wing screws on the vertical frame elements. Note: Please find the instructions for telescopic support attachment under chapter SET UP

**⚠ CAUTION** Beware of pinch points!



# LEG TYPES

Please mind the maximum set-up height of the legs:

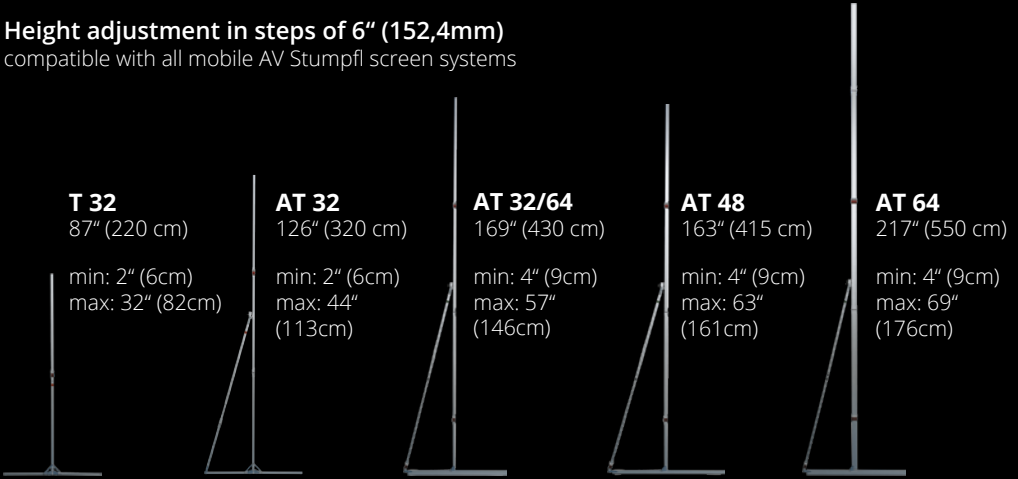
**min:** minimum height of the bottom edge of the frame

**max:** maximum height of the bottom edge of the frame without additional safeguarding

Set-up heights are points of reference and have to be adapted in accordance with the screen size and ambient conditions. Set-up heights are based on absolute vertical alignment at indoors without additional force effects (e.g.: wind, air condition draught,..)

## Height adjustment in steps of 6" (152,4mm)

compatible with all mobile AV Stumpfl screen systems

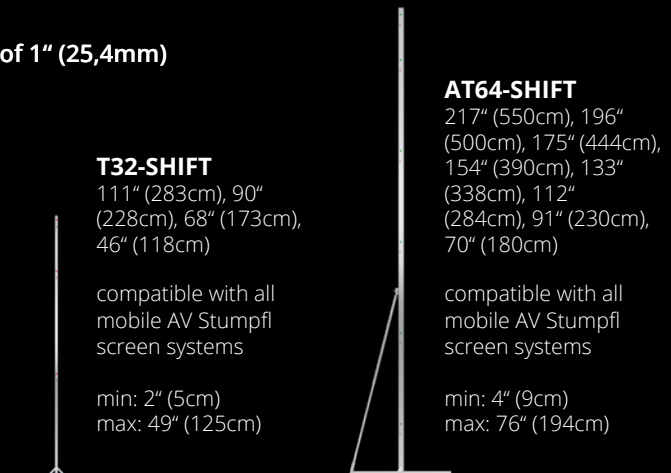


When a high degree of stability is needed, especially with large screens or a high set-up height, we recommend using following legs: AT32 for MONOBLOX 32 and AT48 or AT64 for MONOBLOX 64. AT-Legs have a telescopic support that is tightened with two wing screws.

## Height adjustment in steps of 1" (25,4mm)

According to the screen frame height and the desired set-up height the legs can be put together in different lengths.

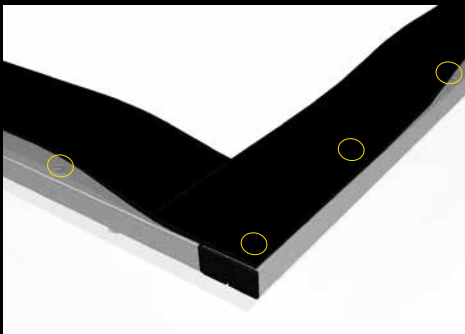
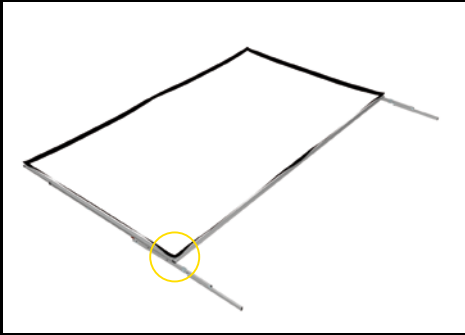
For detailed information, please refer to the corresponding manual T32-SHIFT or manual AT64-SHIFT.



# SURFACE MOUNTING

Lay out the surface on the frame with the label „OBEN-TOP“ corresponding with the upper frame bar.

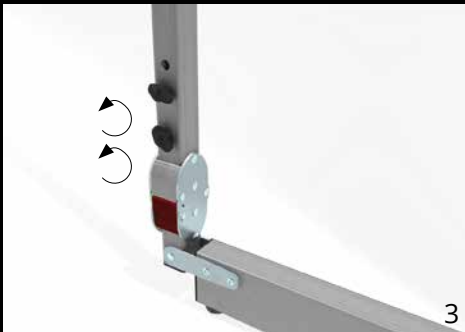
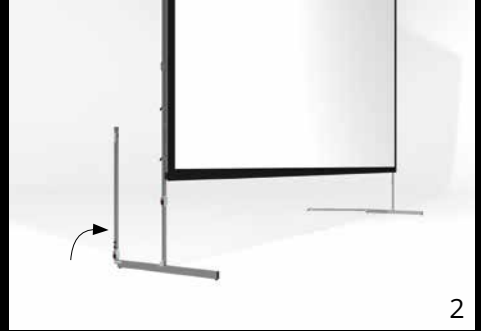
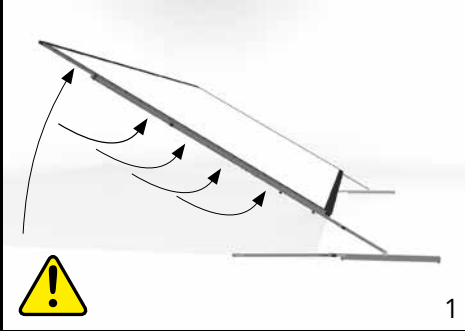
Press on the projection surface by starting at one corner and fasten the buttons one by one. Please mind the instructions for projection surfaces in chapter OPERATION, MAINTENANCE and SERVICE.



# SET UP

**1** Lift the projection screen with one person at each of the top corners and put it up by supporting the screen along the vertical frame elements.

To avoid mechanical overload and damage of the screen elements and legs with large screens or high set-up height, the screen has to be raised with an appropriate number of persons or rather by using hoisting devices.

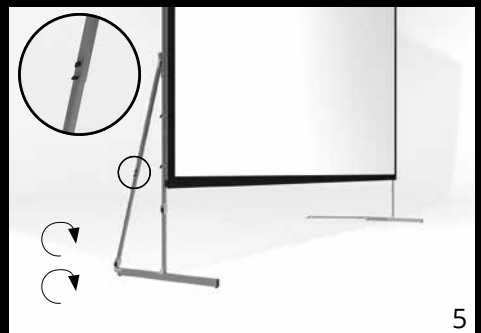


## TELESCOPIC SUPPORT ATTACHMENT

**2** Raise the telescopic support. **3** Untighten the wing screws. **4** Bolt the telescopic support with the wing screw M8x50mm (yellow).

**5** Finally retighten the telescopic support clamp.


**⚠ WARNING** Beware of falling parts!

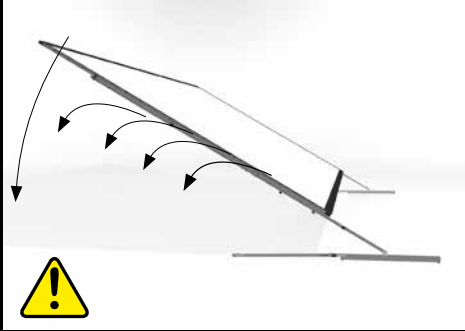




# DISMANTLING

Open the shear joints and telescopic leg supports with one person next to each of the foldable legs. Bring down the screen by supporting the screen along the legs and vertical frame elements towards the top corner edges.

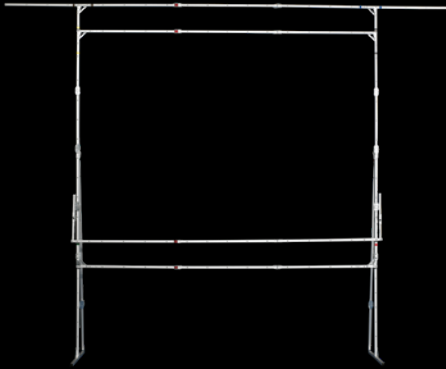
 **WARNING** Beware of falling parts!



# ACCESSORIES

## ANTI-SWAY BRACE

To increase the side-stability of the projection screen the in length variable Anti-Sway Brace has to be screwed on the leg and clamped to the basic frame.



## DRAPEKIT

To drape a projection screen with decoration curtains. Depending on requirements, various frame parts can be used to attach the drapes Valance Bar (top drape), Wing Bar (left and right drape) and Skirt Bar (bottom drape - height adjustable for aspect ratio change) Heavy drapes have to be attached after the set up to avoid damaging of frame parts!



## EASYFLY™

### SUSPENSION CLAMP WITH EYEBOLT

This adapters for Monoblox can be attached quickly and easily at any point. The eyebolt fixes the adapter to the profile, offering professional hanging possibilities. Available for profile sizes 32x32mm and 64x32mm. max. load 30 kg/60 lbs.



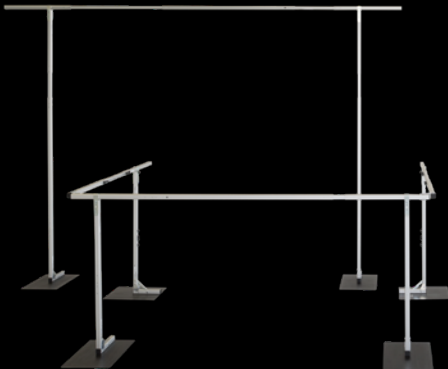
## SET UP SUPPORT

The optional available set up support allows an easy mounting of the legs. By means of the 4 round bar holders the wings screws can be bolted by one person only without holding the frame and leg in position.

## FLIGHT CASE

As an option we offer sturdy, stackable transport cases with rollers for all mobile projection screens.

Transport case small: size 123 x 38 cm, height 34 cm  
Transport case large: size 134 x 38 cm, height 37 cm



## DRAPE RUNOFF

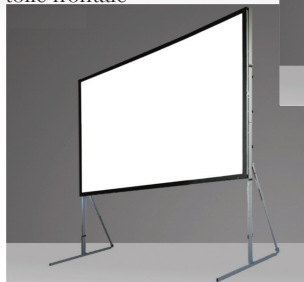
This universal and transportable Drapery System can be used as independent partition, to mark out control areas or to allow flexible room design. A few elements combined with the telescopic system suffice to accomplish a variety of decorative purposes – no tools required. The decoration material is attached by Velcro fasteners.



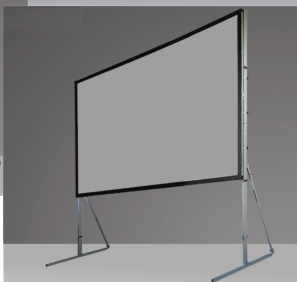
AV Stumpfl GmbH | Mitterweg 46 | 4702 Wallern  
AVstumpfl@AVstumpfl.com | www.AVstumpfl.com | +43 7249 42811

toile bords blancs

toile frontale



toile retro

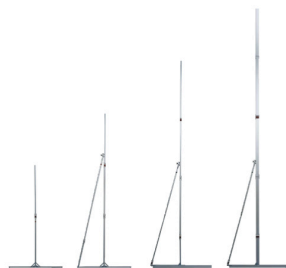


**format 4:3**

écran	dims cadre	dims image	poids	toile seule
MB203	32mm 203 x 157cm	183 x 137cm	15kg	TM203
MB220	32mm 220 x 170cm	200 x 150cm	15kg	TM220
MB264	32mm 264 x 203cm	244 x 183cm	19kg	TM264
MB300	32mm 300 x 230cm	280 x 210cm	20kg	TM300
MB325	32mm 325 x 249cm	305 x 229cm	22kg	TM325
MB345	32mm 345 x 264cm	325 x 244cm	23kg	TM345
MB386	32mm 386 x 294cm	366 x 274cm	25kg	TM386
MB406	32mm 406 x 310cm	386 x 290cm	26kg	TM406
MB447	32mm 447 x 340cm	427 x 320cm	33kg	TM447
MB508	64mm 508 x 386cm	488 x 366cm	48kg	TM508
MB630	64mm 630 x 477cm	610 x 457cm	55kg	TM630
MB752	64mm 752 x 569cm	732 x 549cm	69kg	TM752

F - toile frontale bords noirs  
 BB - toile frontale bords blancs  
 R - toile rétroprojection

**format 16:9**



écran	dims cadre	dims image	poids	toile seule
MC238	32mm 238 x 143cm	218 x 123cm	15kg	TMC238
MC286	32mm 286 x 170cm	266 x 150cm	18kg	TMC286
MC345	32mm 345 x 203cm	325 x 183cm	20kg	TMC345
MC386	32mm 386 x 226cm	366 x 206cm	22kg	TMC386
MC392	32mm 392 x 230cm	372 x 210cm	23kg	TMC392
MC425	32mm 425 x 249cm	405 x 229cm	25kg	TMC425
MC447	32mm 447 x 260cm	427 x 240cm	28kg	TMC447
MC508	64mm 508 x 294cm	488 x 274cm	42kg	TMC508
MC630	64mm 630 x 363cm	610 x 343cm	50kg	TMC630
MC752	64mm 752 x 431cm	732 x 411cm	61kg	TMC752

**format 16:10**



écran	cadre	dims cadre	dims image	poids	toile seule
MD217	32mm	217 x 143cm	197 x 123cm	16kg	TMD217
MD260	32mm	260 x 170cm	240 x 150cm	17kg	TMD260
MD313	32mm	313 x 203cm	293 x 183cm	18kg	TMD313
MD356	32mm	356 x 226cm	336 x 206cm	20kg	TMD356
MD386	32mm	386 x 249cm	366 x 229cm	22kg	TMD386
MD410	32mm	410 x 264cm	390 x 244cm	24kg	TMD410
MD458	32mm	458 x 294cm	438 x 274cm	26kg	TMD458
MD508	64mm	508 x 325cm	488 x 305cm	39kg	TMD508
MD630	64mm	630 x 363cm	610 x 343cm	48kg	TMD630
MD752	64mm	752 x 477cm	732 x 457cm	58kg	TMD752



Pieds

T-leg : standard 32mm  
 AT-32 : surélevé 32mm  
 AT-32/64 : standard 64mm  
 AT-64 : surélevé 64mm

Valises et sacs

RollbagA : sac 2 roulettes 32mm  
 RollbagB : sac 2 roulettes 64mm  
 PolycaseA : polycarbonate 32mm  
 PolycaseB : polycarbonate 64mm

Options

Bords Blancs  
 cadre / pieds anodisés noirs  
 soudures invisibles  
 pressions invisibles