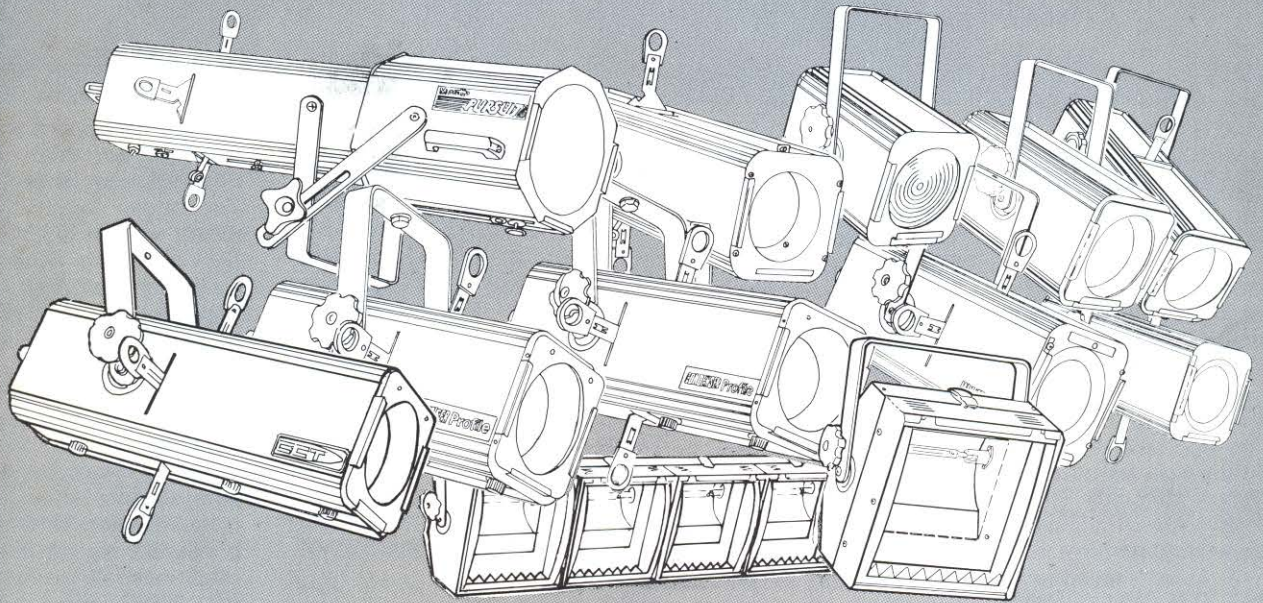
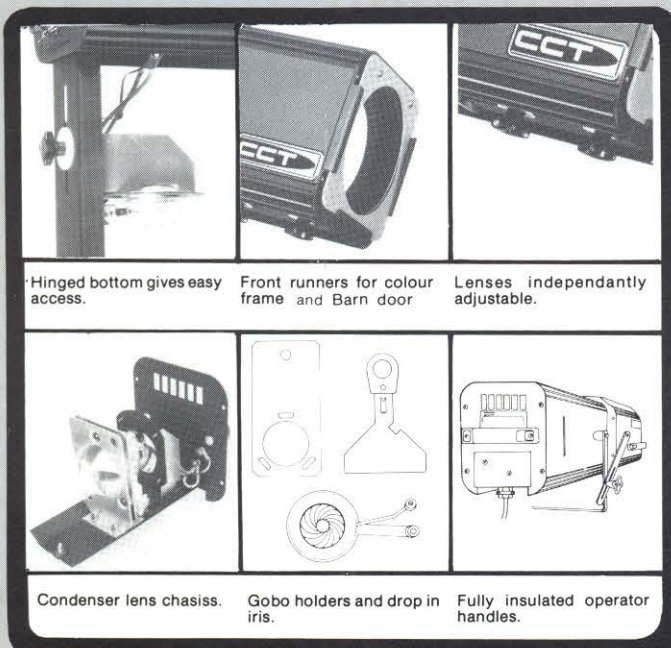


The Minuette Range



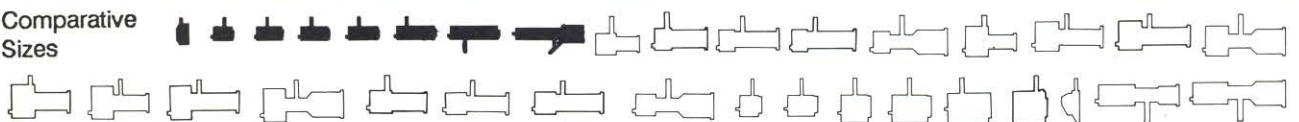
- Z0601 TT 26° 39° 47° Non Zoom Profile
- Z0602 21° - 36° Reflector Profile
- Z0602P 17° - 36° Condenser Profile
- Z0603P 35° - 42° Condenser Profile
- Z0606P 13° - 16° Condenser Profile
- Z0607FS 6° - 10° Pursuit Follow Spot
- Z0642 18° - 57° Fresnel
- Z0644 10° - 59° Pebble Convex
- Z0C46/8/9 Asymmetric Flood
- Z0S46 Symmetric Flood



The Minuette Range is a complete family of luminaires with individual but complementary optical and photometric characteristics designed around 500 and 650 Watt tungsten halogen lamps. Construction is in general of finned aluminium extrusions formed aluminium and sheet steel. Spot lights are fitted with a full width heat insulated rear handle and external 3 conductor cables are one metre long 1.5mm² high temperature silicone.

Choice includes single and multiple floodlights either asymmetrical beam spread for lighting vertical surfaces, such as Cycloramas and back cloths, or symmetrical for basic illumination. General purpose spotlights offer Fresnel or Pebble convex lenses and the choice of Profile spotlights goes from a fixed beam angle luminaire through to several zoomed lensed versions with either reflector or condenser optics. There is also an excellent Follow Spot which although rated at only 650W gives performance and operator facilities normally only found in larger and more costly units.

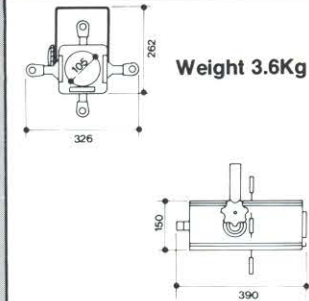
Comparative Sizes





Z0601 Minuette TT

26° - 39° - 47°
Non Zoom
PROFILE



Weight 3.6Kg

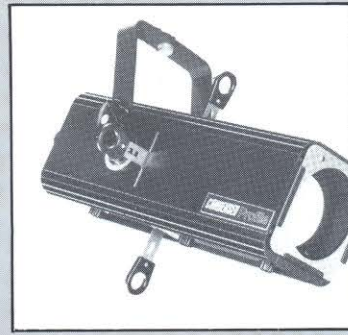
Typical performance based on
Calibrated:- T27 650W, 240V, C13D bi-
plane 400Hr, 3100K, 14,500 Lumen

Hard Edge Focus T27 650W

Peak Setting	Cut Off Angle	1/2 Peak Angle	Peak Candela
Narrowest Spread	26°	19°	28,000
Widest Spread	47°	28°	12,000
Medium	39°	26°	14,000

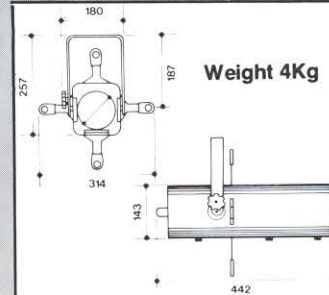
A non zoom profile spotlight with removable framing shutters and Iris/Gobo slot.

The Minuette TT Profile Spotlight has a non zoom lens system for 26° beam angle which, with its easily accessible magazine can be user adjustable with additional lens for beam angles of 39° and 47°. The optical system can be adjusted to give precise beam shaping by four thermally insulated tempered straight steel shutters or a drop-in Iris accessory, the gate for which can alternatively be used for Gobos. Full width rear handle.



Z0602P Minuette

17° - 36°
Condenser
Variable beam
PROFILE



Weight 4Kg

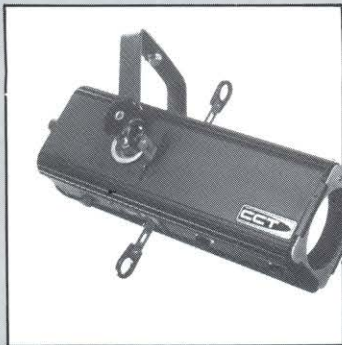
Typical performance based on
Calibrated:- T27 650W, 240V, C13D bi-
plane 400Hr, 3100K, 14,500 Lumen
Hard Edge Focus T27 650W

Peak Setting	Cut Off Angle	1/2 Peak Angle	Peak Candela
Narrowest Spread	17°	12°	68,000
Widest Spread	36°	26°	15,000

Flat Setting	Cut Off Angle	1/2 Peak Angle	Peak Candela
Narrowest Spread	17°	15°	52,000
Widest Spread	36°	30°	12,000

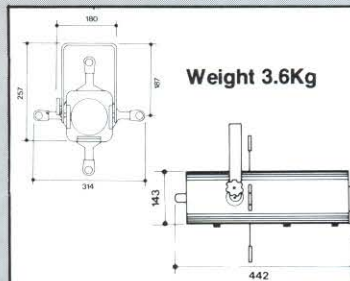
A condenser optics profile spotlight for high definition gate projection.

For those applications which require particularly high definition Gobo and gate projection the condenser version of the Minuette profile is excellent. Individually adjustable zoom lenses give hard or soft edging over a 17°-36° range. Optically it incorporates a silvered glass reflector and heat resisting Bi-Convex condenser lens but in all other respects is similar to the Z0602 zoom profile with aspheric reflector optics.



Z0602 Minuette

21° - 36°
Reflector
Variable beam
PROFILE



Weight 3.6Kg

Typical performance based on
Calibrated:- T27 650W, 240V, C13D bi-
plane 400Hr, 3100K, 14,500 Lumen

Hard Edge Focus T27 650W

Peak Setting	Cut Off Angle	1/2 Peak Angle	Peak Candela
Narrowest Spread	21°	11°	50,000
Widest Spread	36°	16°	42,000

Flat Setting	Cut Off Angle	1/2 Peak Angle	Peak Candela
Narrowest Spread	21°	19°	22,000
Widest Spread	36°	27°	13,000

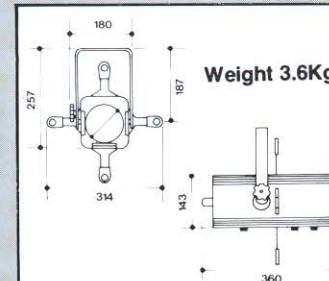
A versatile zoom lens profile spotlight with removable framing shutters and Iris/Gobo slot.

This profile spotlight can be adjusted to give precise beam shaping by the built in thermally insulated tempered, stainless steel shutters or a drop-in iris, the gate for which can alternatively be used for Gobos. The zoom lens system with individually adjustable lenses gives hard or soft edging over a 21°-36° range. Reflector can be externally adjusted for peak or flat field. Full width rear handle.



Z0603P Minuette

35° - 42°
Condenser
Variable beam
PROFILE



Weight 3.6Kg

Typical performance based on
Calibrated:- T27 650W, 240V, C13D bi-
plane 400Hr, 3100K, 14,500 Lumen
Hard Edge Focus T27 650W

Peak Setting	Cut Off Angle	1/2 Peak Angle	Peak Candela
Narrowest Spread	35°	27°	15,000
Widest Spread	42°	32°	10,000

Flat Setting	Cut Off Angle	1/2 Peak Angle	Peak Candela
Narrowest Spread	35°	32°	13,000
Widest Spread	42°	36°	8,000

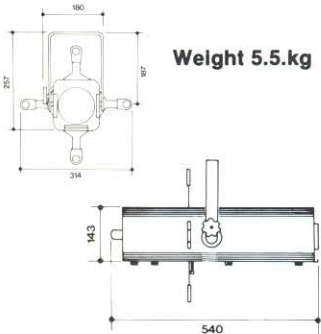
A condenser optics profile spotlight for high definition gate projection.

For those applications which require particularly high definition Gobo and gate projection the condenser version of the Minuette profile is excellent. Individually adjustable zoom lenses give hard or soft edging over a 35°-42° range. In all other respects similar to Z0602P zoom profile.



Z0606P Minuette

13° - 16°
Condenser
Variable beam
PROFILE



Weight 5.5kg

Typical performance based on
Calibrated:- T27 650W, 240V, C13D bi-
plane 400Hr, 3100K, 14,500 Lumen

Hard Edge Focus T27 650W

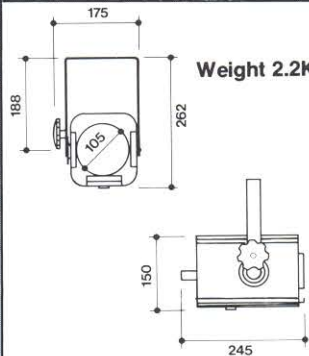
Peak Setting	Cut Off Angle	½ Peak Angle	Peak Candela
Narrowest Spread	13°	11°	93,000
Flat Setting	Cut Off Angle	½ Peak Angle	Peak Candela
Widest Spread	16°	13°	63,000

A narrow angle condenser optics profile particularly suitable for long throws. Bi-Convex condenser lens and silvered glass reflector optics ensure a very precise high performance beam between 13°-16° which can be set for optimum throw efficiency by means of 2 independently operated Plano Convex lenses. Independently operated framing shutters and optical gate for iris and Gobo projection.



Z0642 Minuette

18° - 57°
FRESNEL



Weight 2.2Kg

Typical performance based on
Calibrated:- T27 650W, 240V, C13D bi-
plane 400Hr, 3100K, 14,500 Lumen

T27 650W

	½ Peak Angle	¼ Peak Angle	Peak Candela
SPOT	8.5°	18°	41,000
FLOOD	47°	57°	8,750

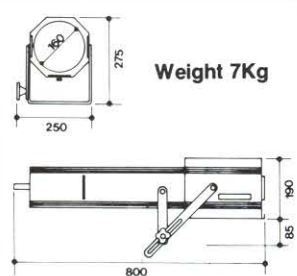
A general purpose spotlight with variable soft edged beam which can be further shaped by a rotatable barn door attachment.

This popular spotlight is at home in a large theatre, a school drama stage or lighting an exhibition. The Fresnel lens absorbs little light and beam spread can be controlled over an 18°-57° range. A 4 leaf barn door optional accessory restricts halation and can be used to further shape the beam.



Z0607FS Minuette

6° - 10°
PURSUIT
FOLLOW
SPOT



Weight 7Kg

Typical performance based on
Calibrated:- T27 650W, 240V, C13D bi-
plane 400Hr, 3100K, 14,500 Lumen

Hard Edge Focus T27 650W

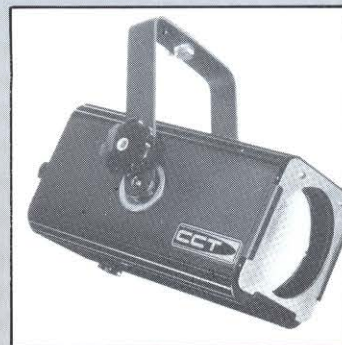
Peak Setting	Cut Off Angle	½ Peak Angle	Peak Candela
Narrowest Spread	6°	5°	216,000
Widest Spread	10°	8°	130,000

A very efficient operator controlled long throw spotlight. Zoom lenses 6° - 10°.

Ideal for small venues, schools and clubs.

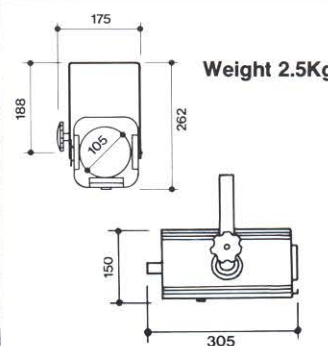
- Silvered glass reflector
- Bi-Convex condenser lens
- 100mm and 150mm zoom lenses for optimising throw distance performance.
- Built in iris and 4 shaping shutters.
- Quadrant balancing side and rear handles.
- Colour magazine accessory.

The lens system with its large diameter front lens produces more beam brightness than many high Wattage rated spotlights.



Z0644 Minuette

10° - 59°
PEBBLE CONVEX



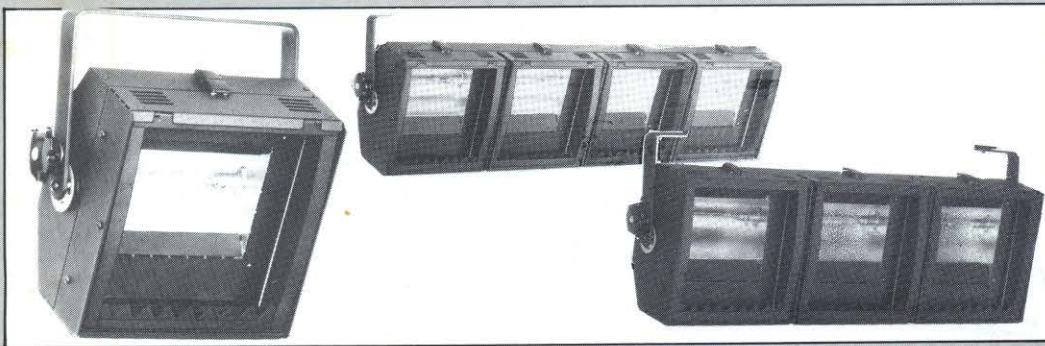
Weight 2.5Kg

Typical performance based on
Calibrated:- T27 650W, 240V, C13D bi-
plane 400Hr, 3100K, 14,500 Lumen

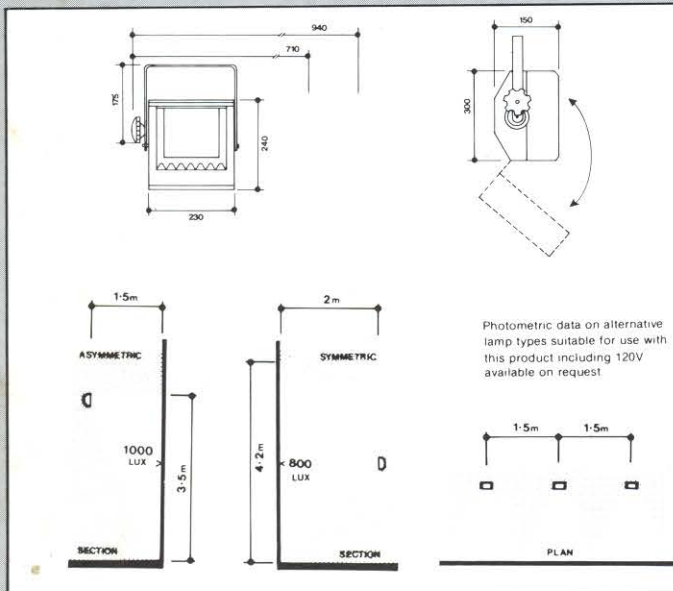
	½ Peak Angle	¼ Peak Angle	Peak Candela
SPOT	7.5°	13.5°	52,900
FLOOD	46.5°	57.5°	8,200

A flexible spotlight having an adjustable soft even beam which can be further shaped with a barn door attachment.

This spotlight offers a completely new dimension in lighting. Designed as a luminaire for entertainment lighting theatres, schools and club stages, its beam qualities and 10°-59° range make it ideal for emphasis lighting of all kinds. A 4 leaf rotatable barn door optional accessory can be used to further shape the beam.



Z0C46/8/9
Minuette
 Single/Triple/Quad
 Asymmetric FLOOD
Z0S46
 Symmetric FLOOD



The Minuette Floodlight Series 2 is ideal for the efficient lighting of vertical surfaces such as cycloramas and backcloths in the asymmetrical version and for general floodlighting in its symmetrical form.

Both types of floodlight use double ended tungsten halogen lamps. Each compartment has a maximum rating of 500 Watts although smaller Wattage lamps are available. For the first time a small floodlight now incorporates unique safety features including a tempered safety glass and an auto eject CEE22 connector which eliminates any risk of internal access with the supply connected. Colour filters are retained by a spring steel frame and separate colour cassette is not required.

A safety mesh is available as an alternative to the safety glass. (transmits less light than safety glass)

Asymmetric	Symmetric	
Z0C46	Z0S46	1 light Weight 3.4Kg
Z0C48		3 light Weight 10.2Kg
Z0C49		4 light Weight 13.6Kg

The Minuette Range is part of a wide choice of luminaires and accessories made by CCT for Theatre and Entertainment lighting.

Silhouette

The worlds most successful Profile Spotlights based upon a choice of lamphouses and interchangeable zoom and non-zoom lenses

Starlette

A series of lead screw focus Fresnel and Pebble Convex spotlights having unique safety features and excellent performance.

Remote Control Colour Change

CCT's Semaphore Colour changes are found in many theatres on the U.K. and overseas. There are two standard sizes: 6" (152mm) and 8" (229mm), Various control systems are available including memory.

MX intelligent wheel changers are an economic way of having up to five colour selection with nothing more than 3 core 'daisy chained' wiring.

Effects Projector 2000/2500W suitable for standard theatrical effects or universal slide carriers.

Full details on all Product groups and expanded photometric information along with detailed technical specifications are available.

RECOMMENDED LAMPS 220/240V

Minuette Fresnel and Pebble Convex
 Y0018/Y0018E, T26/T27 650W
 Y0016/Y0016E, T18/T25 500W
 Y0014/Y0014E, M38 300W, M40 500W

Minuette Profile and 'Pursuit'
 As above

Minuette Floods
 Y0046/Y0046E, K1 500W, Y0045,
 K11 200W, Y0044, K9 300W

ACCESSORIES

- Z0431 Extra Colour Frames - all except 'Pursuit' and Flood
- Z0013 Extra Colour Frame 'Pursuit'
- Z0083 Hook Clamp
- Y0085 Safety Chain
- Y0057 10 mm Spigot (for when using stand)
- Z0043 4 Leaf Barn door (for Fresnel and P.C. Spots) except Pursuit
- V1872 Wide Angle Lens (for Z0601TT)
- Z0433 Drop-in Iris (for Profiles)
- Z0100 Rotatable Gobo Holder
- Y0122 Scenic Gobo
- Z0B46 Flood Straight-edged Barn door
- Z0B47 Flood Toothed-edged Barn door
- Z0C43 Safety mesh as alternative to Safety Glass
- Z0C45 Extra Flood Colour Frame
- Z0019 Hand-operated Colour Magazine for 'Pursuit'
- Y0058 12mm Spigot for Pursuit

CCT reserve the right to change specifications and materials without prior notice.
 All photometric data given is typical only.



HINDLE HOUSE
 TRAFFIC STREET
 NOTTINGHAM
 NG2 1NE
 Tel: 0602 862722
 Fax: 0602 862546
 Country Dial Code: 44 602

