



## evolution wired e 602-II



The e 602-II is a cardioid instrument microphone especially suitable for use with bass drums, bass guitar cabs, tubas and other low frequency instruments.

### SPECIFICATIONS

Transducer principle	dynamic
Frequency response	20 - 16,000 Hz
Pick-up pattern	cardioid
Sensitivity (free field)	0.9 mV/Pa (at 50 Hz) 0.25 mV/Pa (at 1 kHz)
Nominal impedance (at 1 kHz)	350 $\Omega$
Min. terminating impedance	1 k $\Omega$
Connector	XLR-3
Dimensions	$\varnothing$ 60 x 153 mm
Weight	318 g

### FEATURES

- Rugged, lightweight aluminium body for stable positioning on long microphone boom arms
- Lightweight high-performance voice coil construction
- Fast transient response
- Low frequency extension
- Ideal for direct use on the most problematic bass signal sources
- Frequency-independent directivity provides isolation from other on-stage signals
- Hum compensating coil
- Integral stand mount

### DELIVERY INCLUDES

- e 602-II
- pouch
- quick guide
- safety guide

### ARCHITECT'S SPECIFICATION

The microphone shall be a dynamic cardioid designed for use with low frequency instruments. It shall have a rugged aluminium body with an integral stand mount and shall be fitted with a hum compensating coil.

The frequency response shall be 20 Hz – 16,000 Hz and the sensitivity (free field, no load) shall be 0.25 mV/Pa at 1 kHz and 0.9 mV/Pa at 50 Hz. Nominal impedance shall be 350  $\Omega$ , with a min. terminating impedance of 1 k $\Omega$ .

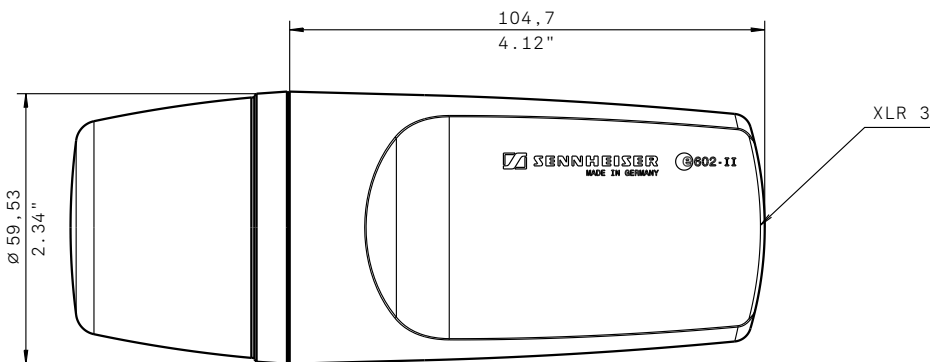
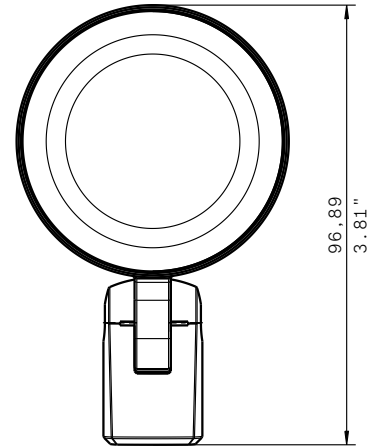
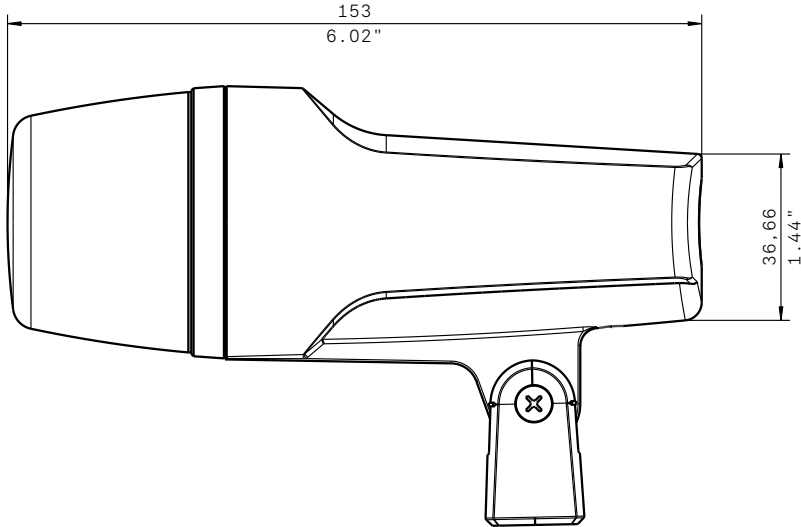
The microphone shall provide a 3-pin XLR connector. Dimensions shall be 60 x 153 mm (2.36" x 6.02"). Weight shall be 318 grams (11.22 oz).

The microphone shall be the Sennheiser e 602-II.

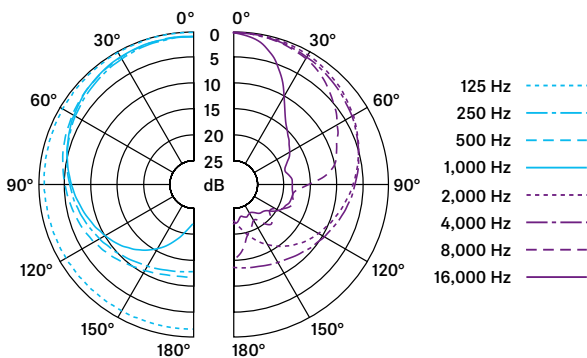


# evolution wired e 602-II

## DIMENSIONS



## POLAR PATTERN



## FREQUENCY RESPONSE

